

TOSHIBA

AIR CONDITIONER (MULTI TYPE)

SERVICE MANUAL

Indoor unit

<4-way cassette type>

MMU-UP0091HP-E(TR)
 MMU-UP0121HP-E(TR)
 MMU-UP0151HP-E(TR)
 MMU-UP0181HP-E(TR)
 MMU-UP0241HP-E(TR)
 MMU-UP0271HP-E(TR)
 MMU-UP0301HP-E(TR)
 MMU-UP0361HP-E(TR)
 MMU-UP0481HP-E(TR)
 MMU-UP0561HP-E(TR)

<Ceiling type>

MMC-UP0151HP-E(TR)
 MMC-UP0181HP-E(TR)
 MMC-UP0241HP-E(TR)
 MMC-UP0271HP-E(TR)
 MMC-UP0361HP-E(TR)
 MMC-UP0481HP-E(TR)
 MMC-UP0561HP-E(TR)

<Concealed Duct Standard type>

MMD-UP0051BHP-E
 MMD-UP0071BHP-E(TR)
 MMD-UP0091BHP-E(TR)
 MMD-UP0121BHP-E(TR)
 MMD-UP0151BHP-E(TR)
 MMD-UP0181BHP-E(TR)
 MMD-UP0241BHP-E(TR)
 MMD-UP0271BHP-E(TR)
 MMD-UP0301BHP-E(TR)
 MMD-UP0361BHP-E(TR)
 MMD-UP0481BHP-E(TR)
 MMD-UP0561BHP-E(TR)

<Concealed Duct High Static Pressure type>

MMD-UP0181HP-E(TR)
 MMD-UP0241HP-E(TR)
 MMD-UP0271HP-E(TR)
 MMD-UP0361HP-E(TR)
 MMD-UP0481HP-E(TR)
 MMD-UP0561HP-E(TR)
 MMD-UP0721HP-E(TR)
 MMD-UP0961HP-E(TR)

<Concealed Duct High Static Pressure fresh air intake type>

MMD-UP0481HFP-E(TR)
 MMD-UP0721HFP-E(TR)
 MMD-UP0961HFP-E(TR)
 MMD-UP1121HFP-E(TR)
 MMD-UP1281HFP-E(TR)

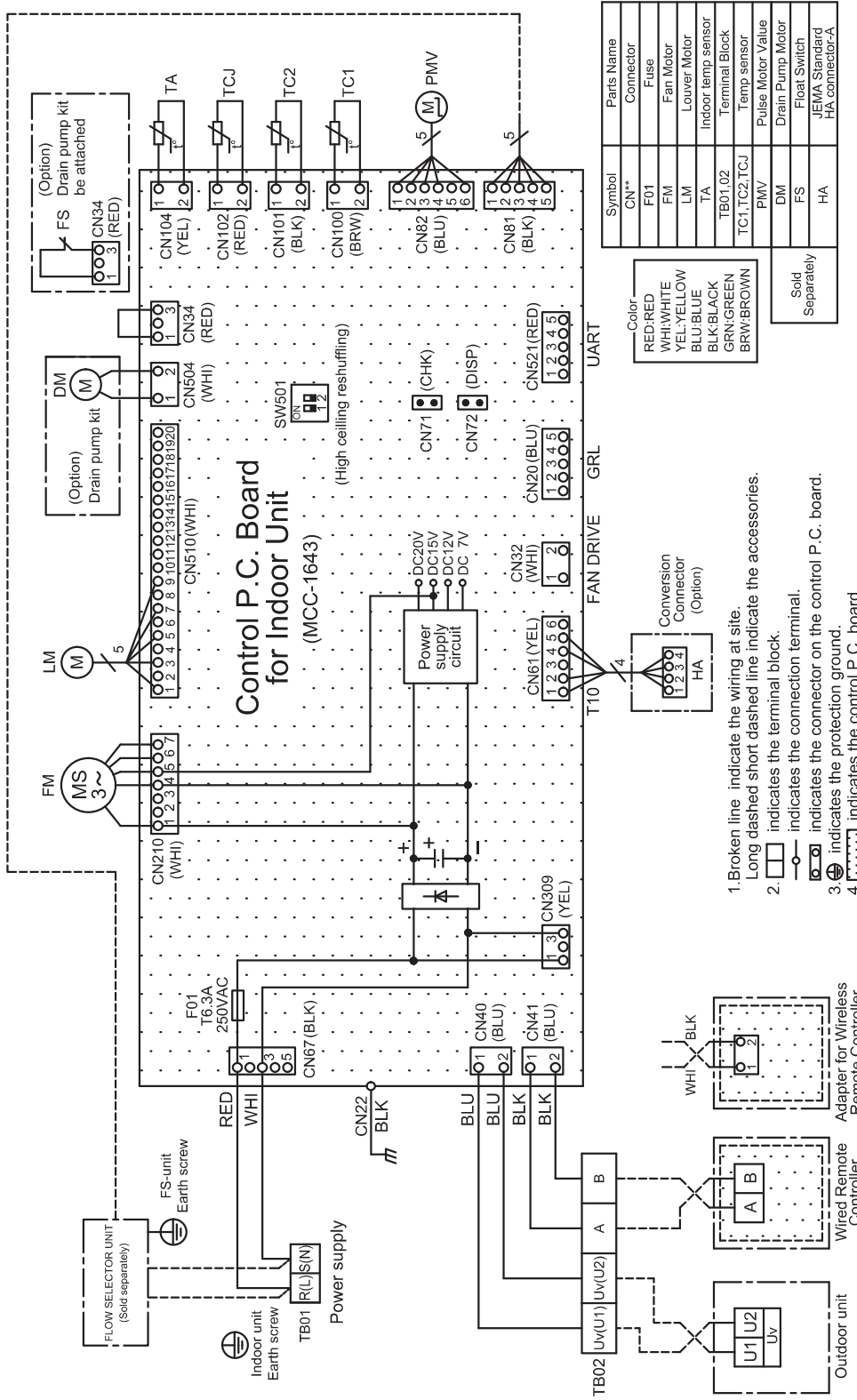
<Console type>

MML-UP0071NHP-E(TR)
 MML-UP0091NHP-E(TR)
 MML-UP0121NHP-E(TR)
 MML-UP0151NHP-E(TR)
 MML-UP0181NHP-E(TR)

<High wall type>

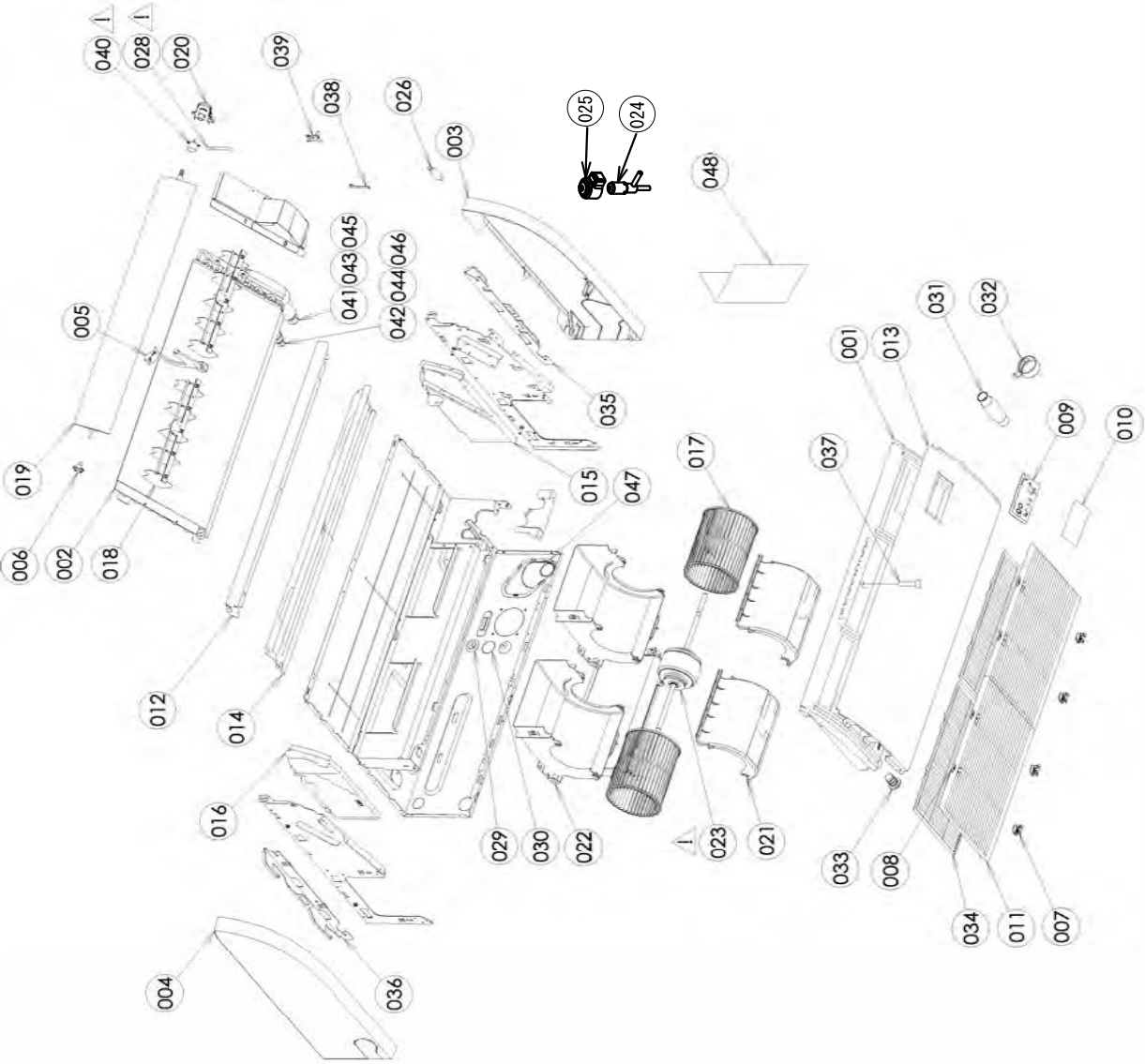
MMK-UP0031HP-E(TR)
 MMK-UP0051HP-E(TR)
 MMK-UP0071HP-E(TR)
 MMK-UP0091HP-E(TR)
 MMK-UP0121HP-E(TR)
 MMK-UP0151HP-E(TR)
 MMK-UP0181HP-E(TR)
 MMK-UP0241HP-E(TR)
 MMK-UP0031HPL-E(TR)
 MMK-UP0051HPL-E(TR)
 MMK-UP0071HPL-E(TR)
 MMK-UP0091HPL-E(TR)
 MMK-UP0121HPL-E(TR)
 MMK-UP0151HPL-E(TR)
 MMK-UP0181HPL-E(TR)
 MMK-UP0241HPL-E(TR)

3-2. Ceiling type MMC-UP****HP-E(TR)



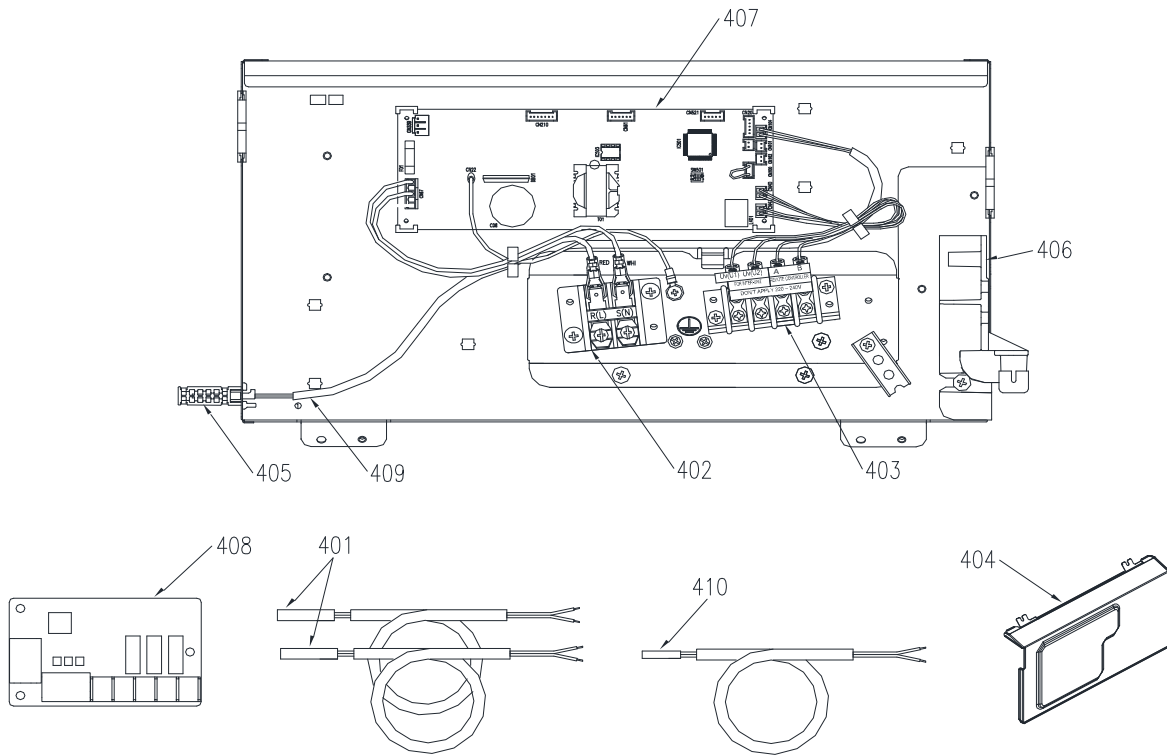
12-2. Ceiling type

MMC-UP0151HP-E(TR), MMC-UP0181HP-E(TR)



Location No.	Part No.	Description	Model name MMC-UP	
			0151HP-E(TR)	0181HP-E(TR)
1	43T72314	ASM-SUB-PAN-DR	1	1
2	43T44702	REFRIGERATION CYCLE ASSY	1	1
3	43T02301	ASM-P-SIDE-R	1	1
4	43T02302	ASM-P-SIDE-L	1	1
5	43T07313	ASM-SUP-FLAP	1	1
6	43T07314	SUP-SHAFT	1	1
7	43T07315	HINGE-GRILLE	4	4
8	43T07316	HOOK-GRILLE	4	4
9	43T08420	LED-BASE	1	1
10	43T08421	PANEL-LED	1	1
11	43T09493	SUCTION-GRILLE	2	2
12	43T00638	ASM-COAT-P-UP	1	1
13	43T00641	ASM-COAT-P-UD	1	1
14	43T11326	ASM-FORM-UP	1	1
15	43T11329	ASM-FORM	1	1
16	43T11330	ASM-FORM	1	1
17	43T20338	ASM-FAN-MLB	2	2
18	43T22329	ASM-S-V-LOUVER	2	2
19	43T22334	ASM-F-FLAP	1	1
20	43T22333	ASM-GEAR-FLAP	1	1
21	43T22327	ASM-FAN-CASE-D	2	2
22	43T22328	ASM-FAN-CASE-U	2	2
23	43T21443	MOTOR-FAN	1	1
24	43T46517	BODY, PMV	1	1
25	43T46515	COIL, PMV	1	1
26	43T47386	STRAINER	1	1
28	43T60446	LEAD-MOT	1	1
29	43T62349	GROMMET	1	1
30	43T62350	GROMMET	1	1
31	43T70317	ASM-HOSE	1	1
32	43T83313	HOSE-BAND	2	2
33	43T79320	CAP-DRAIN	1	1
34	43T80338	AIR FILTER	2	2
35	43T81304	HANGER-R	1	1
36	43T81305	HANGER-L	1	1
37	43T97318	SCREW-DR	1	1
38	43T19333	HOLDER, SENSOR	2	2
39	43T19321	FIX-P-SENSOR	1	1
40	43T21397	STEPPING-MOTOR	1	1
41	43T47333	BONNET, 12.70 DIA	1	1
42	43T47331	BONNET, 6.35 DIA	1	1
43	43T82320	SOCKET	1	1
44	43T82319	SOCKET	1	1
45	43T97317	NUT, FLARE, 1/2 IN	1	1
46	43T97311	NUT, FLARE, 1/4 IN	1	1
47	43T49364	COV-FRAME-MAIN	1	1
48	43T85809	INSTALLATION MANUAL	1	1

Electric Parts



Location No.	Part No.	Description	Model name					MMC-UP	
			0151 HP-E(TR)	0181 HP-E(TR)	0241 HP-E(TR)	0271 HP-E(TR)	0361 HP-E(TR)	0481 HP-E(TR)	0561 HP-E(TR)
401	43T50347	SENSOR ASSY, SERVICE	2	2	2	2	2	2	2
402	43T60435	SERV-TERMINAL	1	1	1	1	1	1	1
403	43T60362	TERMINAL	1	1	1	1	1	1	1
404	43T62348	COVER-E-BOX	1	1	1	1	1	1	1
405	43T50351	HOLDER-TA	1	1	1	1	1	1	1
406	43T61317	BASE-CLAMP	1	1	1	1	1	1	1
407	43T6W951	PC BOARD ASSY	1	1	1	1	1	1	1
408	43459017	ASM-PCB(OP)	1	1	1	1	1	1	1
409	43T50476	SERVICE-SENSOR	1	1	1	1	1	1	1
410	43T50477	TC-SENSOR (TC1)	1	1	1	1	1	1	1