

TOSHIBA

AIR CONDITIONER (MULTI TYPE)

SERVICE MANUAL

Indoor unit

<4-way cassette type>

MMU-UP0091HP-E(TR)
 MMU-UP0121HP-E(TR)
 MMU-UP0151HP-E(TR)
 MMU-UP0181HP-E(TR)
 MMU-UP0241HP-E(TR)
 MMU-UP0271HP-E(TR)
 MMU-UP0301HP-E(TR)
 MMU-UP0361HP-E(TR)
 MMU-UP0481HP-E(TR)
 MMU-UP0561HP-E(TR)

<Ceiling type>

MMC-UP0151HP-E(TR)
 MMC-UP0181HP-E(TR)
 MMC-UP0241HP-E(TR)
 MMC-UP0271HP-E(TR)
 MMC-UP0361HP-E(TR)
 MMC-UP0481HP-E(TR)
 MMC-UP0561HP-E(TR)

<Concealed Duct Standard type>

MMD-UP0051BHP-E
 MMD-UP0071BHP-E(TR)
 MMD-UP0091BHP-E(TR)
 MMD-UP0121BHP-E(TR)
 MMD-UP0151BHP-E(TR)
 MMD-UP0181BHP-E(TR)
 MMD-UP0241BHP-E(TR)
 MMD-UP0271BHP-E(TR)
 MMD-UP0301BHP-E(TR)
 MMD-UP0361BHP-E(TR)
 MMD-UP0481BHP-E(TR)
 MMD-UP0561BHP-E(TR)

<Concealed Duct High Static Pressure type>

MMD-UP0181HP-E(TR)
 MMD-UP0241HP-E(TR)
 MMD-UP0271HP-E(TR)
 MMD-UP0361HP-E(TR)
 MMD-UP0481HP-E(TR)
 MMD-UP0561HP-E(TR)
 MMD-UP0721HP-E(TR)
 MMD-UP0961HP-E(TR)

<Concealed Duct High Static Pressure fresh air intake type>

MMD-UP0481HFP-E(TR)
 MMD-UP0721HFP-E(TR)
 MMD-UP0961HFP-E(TR)
 MMD-UP1121HFP-E(TR)
 MMD-UP1281HFP-E(TR)

<Console type>

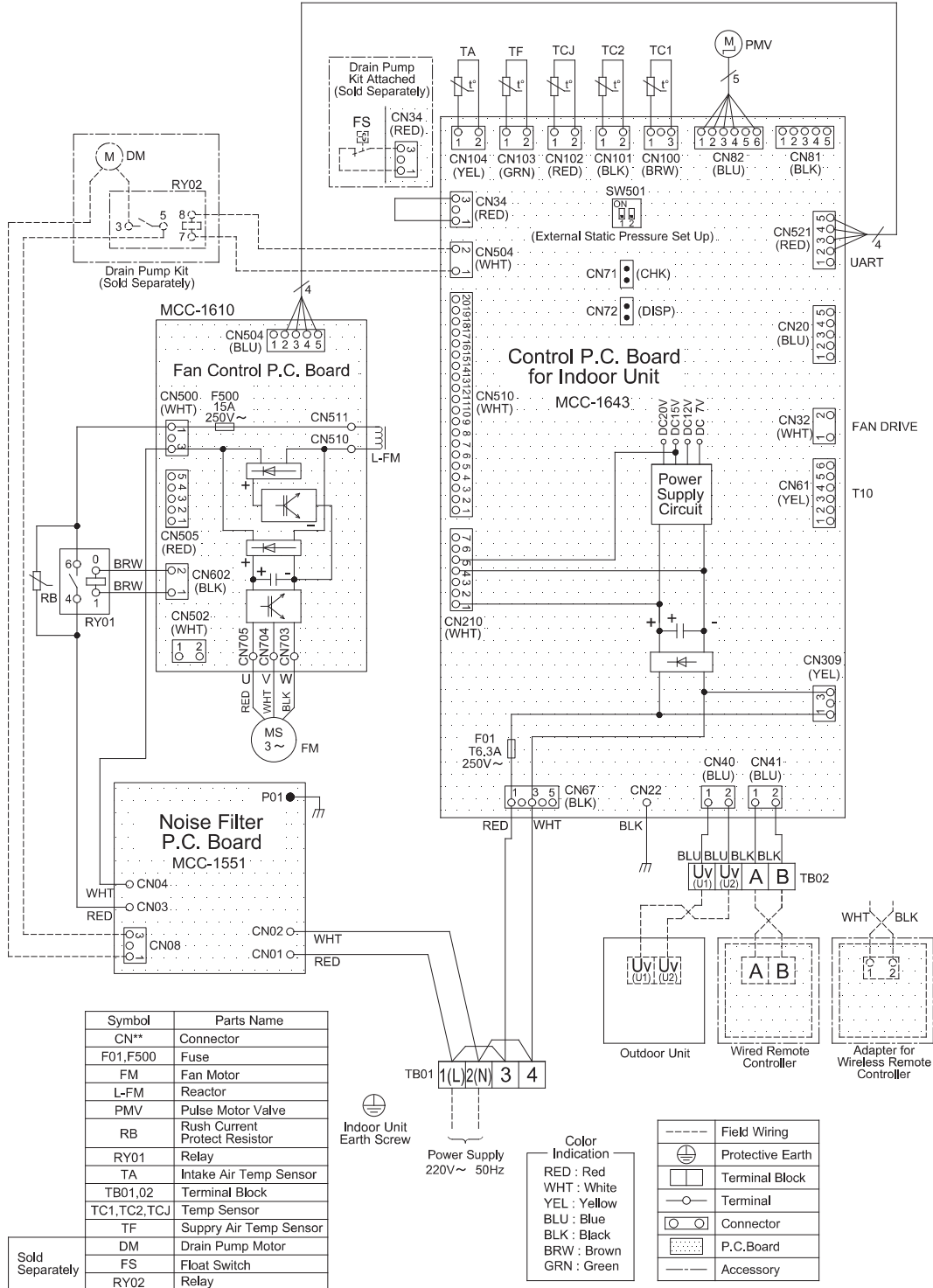
MML-UP0071NHP-E(TR)
 MML-UP0091NHP-E(TR)
 MML-UP0121NHP-E(TR)
 MML-UP0151NHP-E(TR)
 MML-UP0181NHP-E(TR)

<High wall type>

MMK-UP0031HP-E(TR)
 MMK-UP0051HP-E(TR)
 MMK-UP0071HP-E(TR)
 MMK-UP0091HP-E(TR)
 MMK-UP0121HP-E(TR)
 MMK-UP0151HP-E(TR)
 MMK-UP0181HP-E(TR)
 MMK-UP0241HP-E(TR)
 MMK-UP0031HPL-E(TR)
 MMK-UP0051HPL-E(TR)
 MMK-UP0071HPL-E(TR)
 MMK-UP0091HPL-E(TR)
 MMK-UP0121HPL-E(TR)
 MMK-UP0151HPL-E(TR)
 MMK-UP0181HPL-E(TR)
 MMK-UP0241HPL-E(TR)

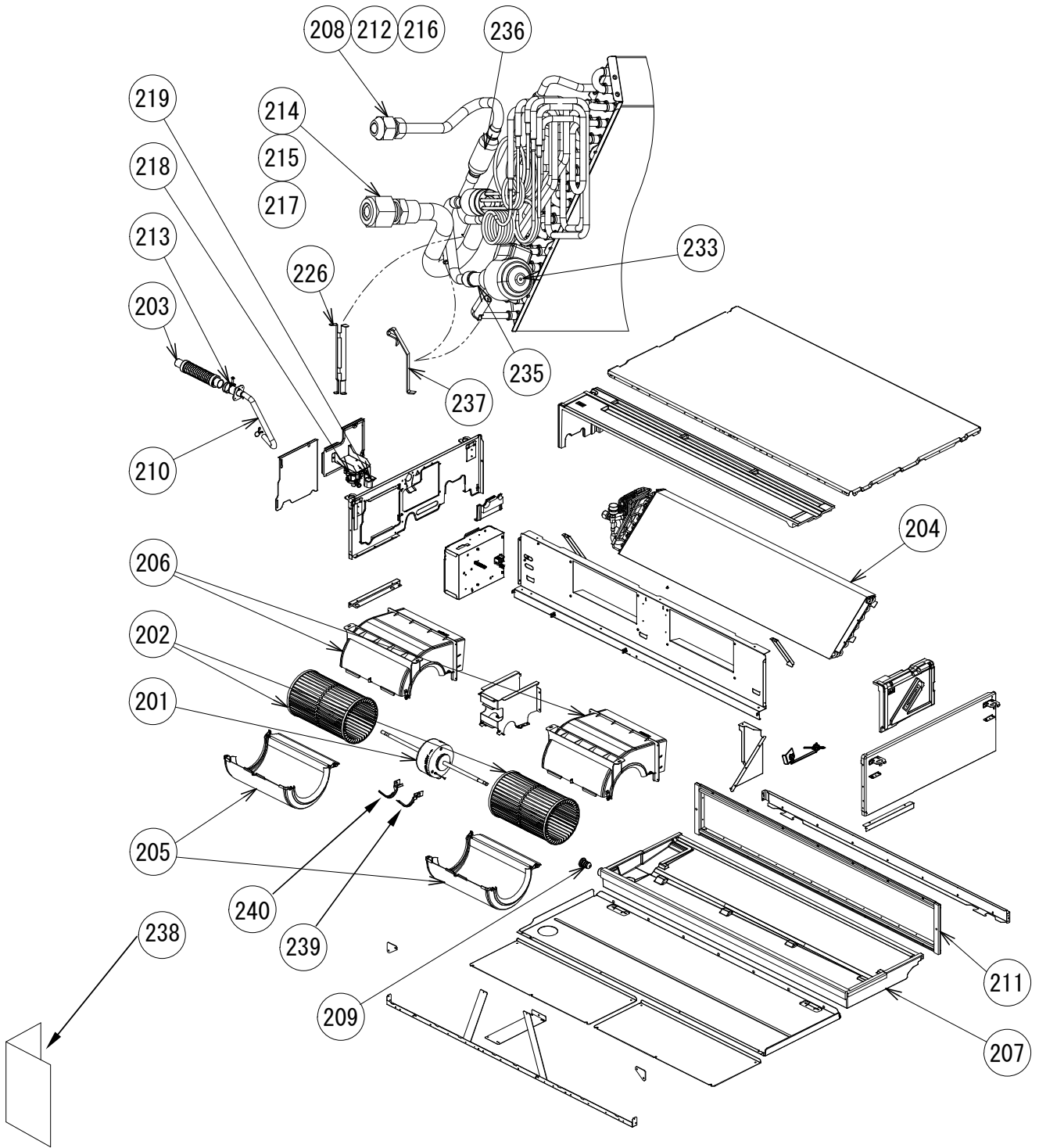
3-5. Concealed Duct High Static Pressure fresh air intake type MMD-UP****HFP-E(TR)

Fresh Air Intake Unit Concealed Duct Type Wiring Diagram



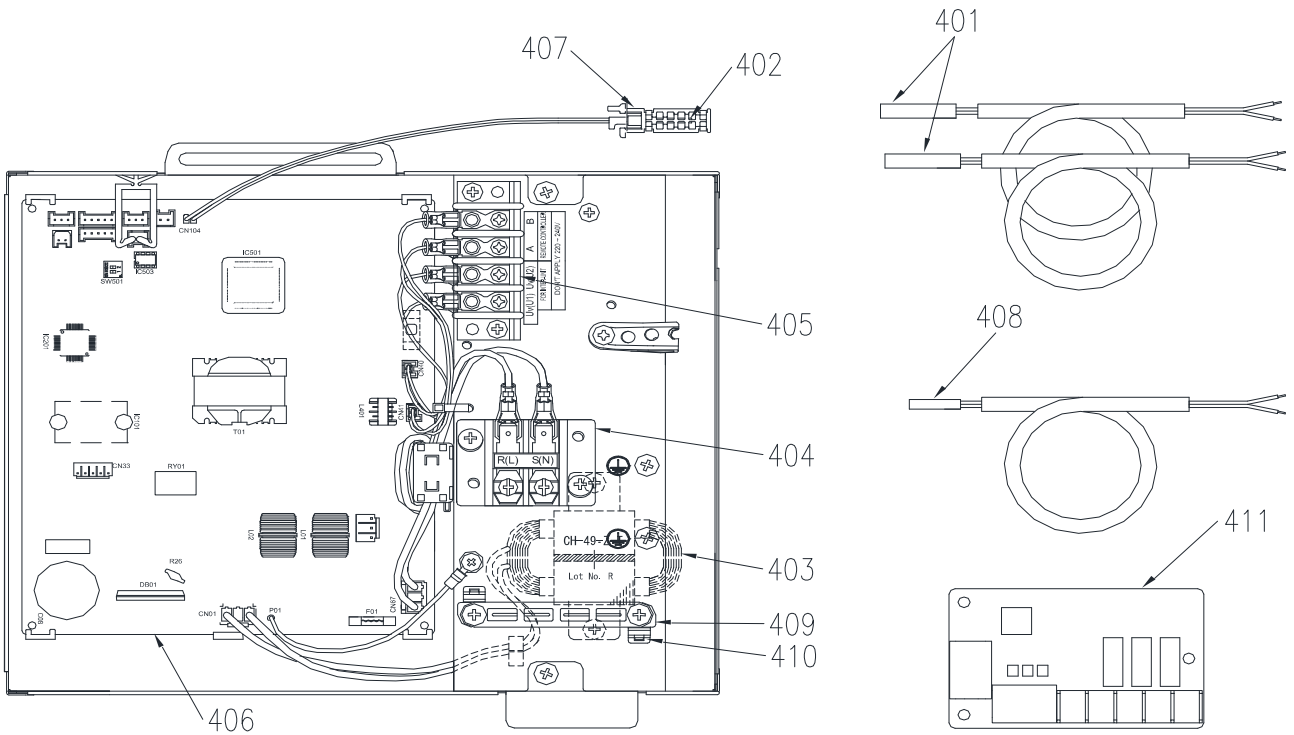
12-5. Concealed Duct High Static Pressure fresh air intake type

MMD-UP0481HFP-E(TR)



Location No.	Part No.	Description	Model name
			MMD-UP 0481HFP-E(TR)
201	43T21520	MOTOR, FAN	1
202	43T20339	FAN, MULTI BLADE	2
203	43T70315	HOSE, DRAIN	1
204	43T44693	REFRIGERATION CYCLE ASSY	1
205	43T22340	FAN, CASE, LOWER	2
206	43T22342	FAN, CASE, UPPER	2
207	43T72324	PAN ASSY, DRAIN	1
208	43T82318	SOCKET	1
209	43T79321	CAP, DRAIN	1
210	43T70320	HOSE, DRAIN	1
211	43T39362	FLANGE	1
212	43T47332	BONNET, 9.52 DIA	1
213	43T83311	BAND, HOSE	1
214	43T82321	SOCKET	1
215	43T97314	NUT, FLARE, 5/8 IN	1
216	43T97312	NUT, FLARE, 3/8 IN	1
217	43T47334	BONNET; 15.88 DIA	1
218	43T77301	PUMP ASSY	1
219	43T51312	SWITCH, FLOAT	1
226	43T19333	HOLDER, SENSOR	2
233	43T46515	COIL, PMV	1
235	43T46513	BODY, PMV	1
236	43T47386	STRAINER	1
237	43T19321	FIX-P-SENSOR	1
238	43T85807	OWNER'S MANUAL	1
239	43T39426	BAND-MOTOR-R	1
240	43T39427	BAND-MOTOR-L	1

Electric Parts



Location No.	Part No.	Description	Model name
			MMD-UP
			0481HFP-E(TR)
401	43T50347	SENSOR ASSY, SERVICE	2
402	43T50476	SERVICE-SENSOR	1
403	43T58320	REACTOR	1
404	43T60435	SERV-TERMINAL	1
405	43T60362	TERMINAL	1
406	43T6W955	PC BOARD ASSY	1
407	43T50351	HOLDER-TA	1
408	43T50477	TC-SENSOR (TC1)	1
409	43T63348	CLAMP, DOWN	1
410	43T63349	CLAMP, UP	1
411	43459017	ASM-PCB(OP)	1