

TOSHIBA

FILE No. A10-1902

SERVICE MANUAL

AIR-CONDITIONER

SPLIT TYPE

OUTDOOR UNIT

<SUPER DIGITAL INVERTER>

RAV-GP1101AT8-E

RAV-GP1101AT8-TR

RAV-GP1101AT8J-E

RAV-GP1101AT8J-TR

RAV-GP1401AT8-E

RAV-GP1401AT8-TR

RAV-GP1401AT8J-E

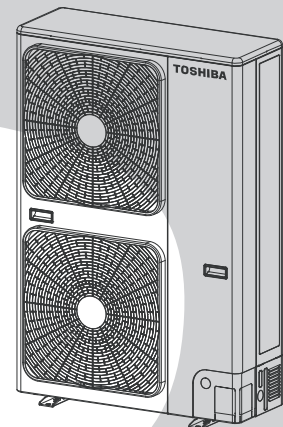
RAV-GP1401AT8J-TR

RAV-GP1601AT8-E

RAV-GP1601AT8-TR

RAV-GP1601AT8J-E

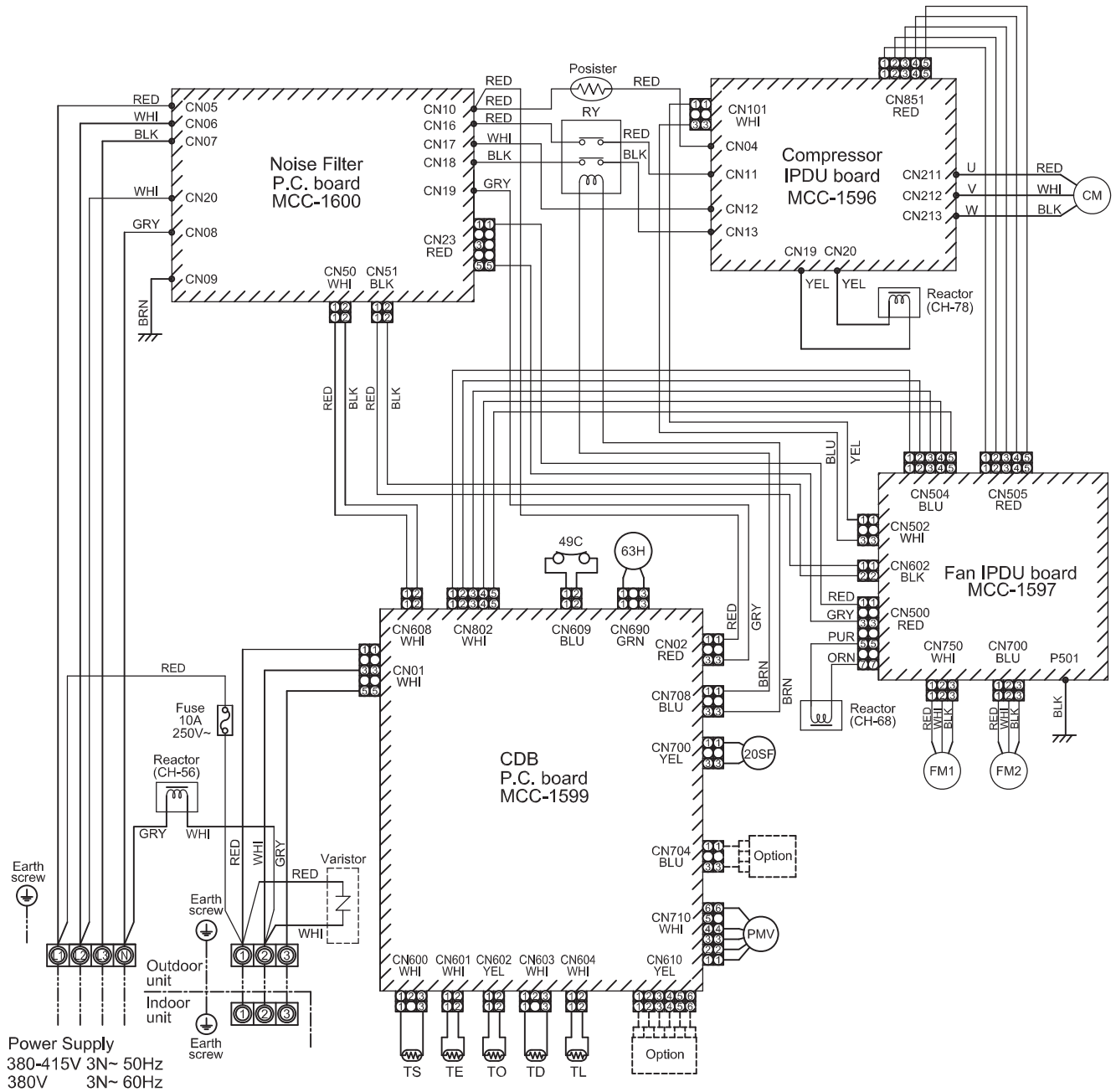
RAV-GP1601AT8J-TR



4. WIRING DIAGRAM

4-1. Outdoor Unit

RAV-GP1101AT8(J)-E, -TR RAV-GP1401AT8(J)-E, -TR RAV-GP1601AT8(J)-E, -TR



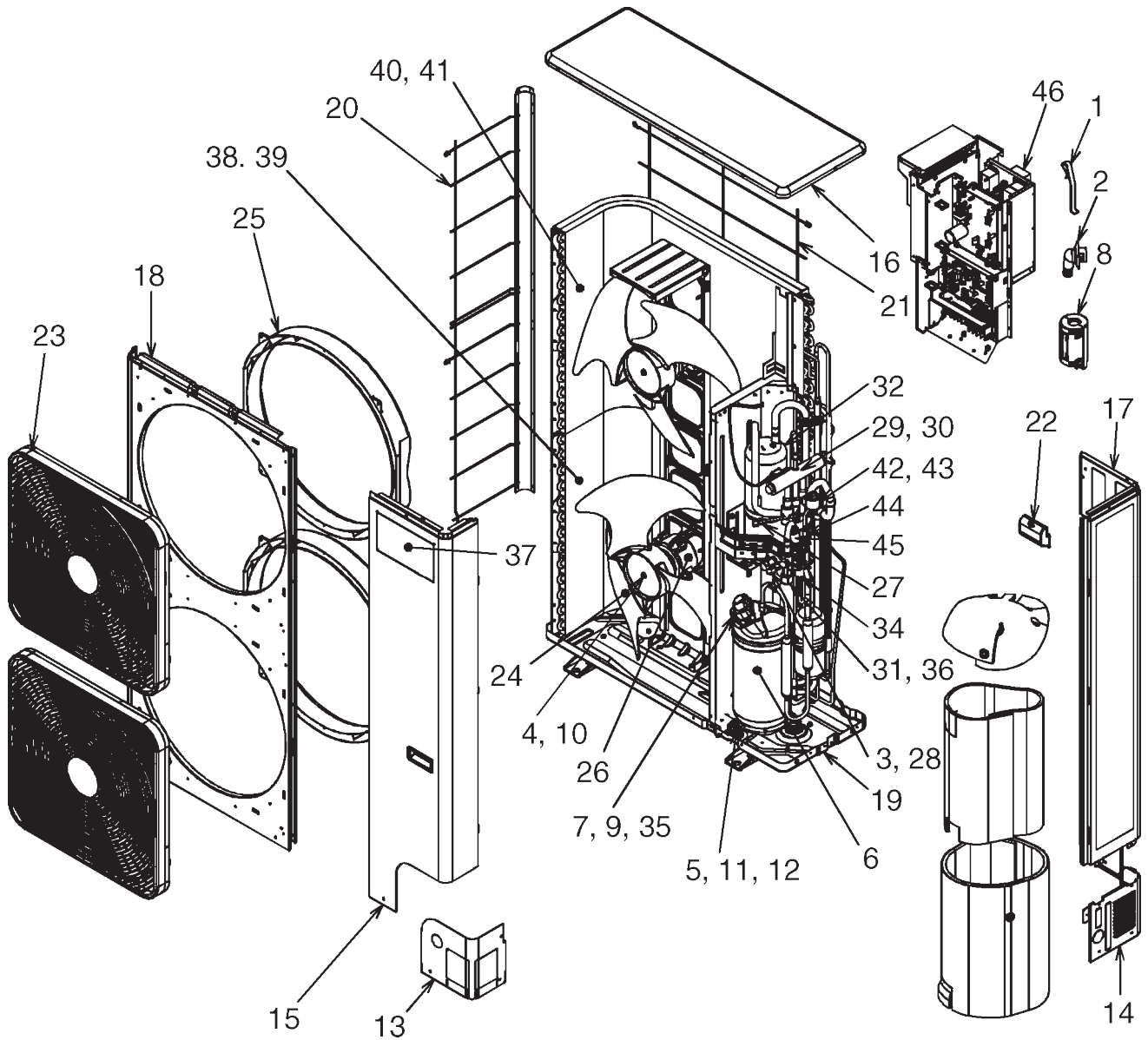
| Symbol | Part name |
|--------|-------------------------------------|
| CM | Compressor |
| FM1,2 | Fan motor |
| PMV | Pulse motor valve |
| TD | Pipe temperature sensor (Discharge) |
| TS | Pipe temperature sensor (Suction) |
| TE | Heat exchanger sensor 1 |
| TL | Heat exchanger sensor 2 |
| TO | Outside temperature sensor |
| 20SF | 4-way valve coil |
| 49C | Compressor case thermostat |
| 63H | High-pressure switch |
| RY | Relay |

1. Ⓞ indicates the terminal block. Alphanumeric characters in the cycle indicate the terminal No.
2. The two-dot chain line indicates the wiring procured locally.
3. ▨ indicates the P.C. board.
4. For the indoor unit circuit, refer to the wiring diagram of the indoor unit.

14. EXPLODED VIEWS AND PARTS LIST

14-1. Outdoor Unit

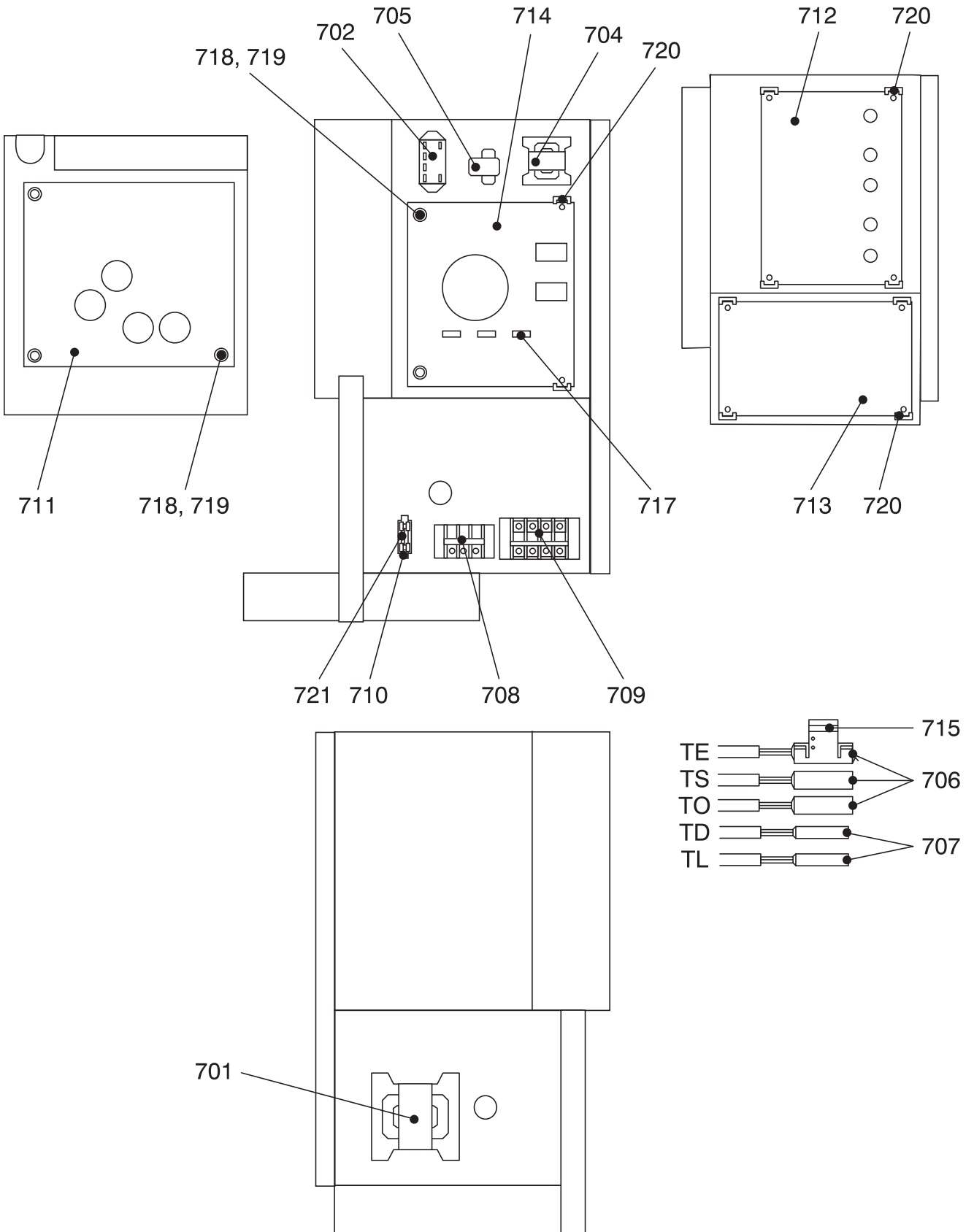
RAV-GP1101AT8-E, RAV-GP1101AT8J-E
RAV-GP1101AT8-TR, RAV-GP1101AT8J-TR



| Location No. | Part No. | Description | Model name | RAV-GP |
|--------------|----------|------------------------------------|-------------------------|---------------------------|
| | | | 1101AT8-E 1101AT8-TR | 1101AT8J-E 1101AT8J-TR |
| 1 | 43F19904 | HOLDER, SENSOR (TS) | 3 | 3 |
| 2 | 43F32441 | NIPPLE, DRAIN | 1 | 1 |
| 3 | 43F47401 | BONNET, 3/8 IN | 1 | 1 |
| 4 | 43F47669 | NUT, FLANGE | 2 | |
| 5 | 43049739 | CUSHION, RUBBER | 3 | 3 |
| 6 | 43141530 | COMPRESSOR, RX420A3F-27M | 1 | 1 |
| 7 | 43F50407 | THERMOSTAT,BIMETAL | 1 | 1 |
| 8 | 43F60029 | FILTER, NOISE | 1 | 1 |
| 9 | 43F63317 | HOLDER,THERMOSTAT | 1 | 1 |
| 10 | 43197164 | NUT, FLANGE | | 2 |
| 11 | 43197174 | NUT, COMP | | 3 |
| 12 | 43F97212 | NUT | 3 | |
| 13 | 43100437 | PANEL, FRONT, PIPING | 1 | 1 |
| 14 | 43100438 | PANEL, BACK, PIPING | 1 | 1 |
| 15 | 43100439 | PANEL, FRONT | 1 | 1 |
| 16 | 43100440 | PLATE, ROOF | 1 | 1 |
| 17 | 43100470 | PANEL, SIDE | 1 | 1 |
| 18 | 43100442 | PANEL, AIR OUTLET | 1 | 1 |
| 19 | 43100443 | BASE ASSY | 1 | 1 |
| 20 | 43107274 | GUARD, FIN, SIDE | 1 | 1 |
| 21 | 43107275 | GUARD, FIN, BACK | 1 | 1 |
| 22 | 43107276 | HANGER | 3 | 3 |
| 23 | 43119540 | GUARD, FAN ASSY | 2 | 2 |
| 24 | 43120244 | FAN, PROPELLER, PB521 | 2 | 2 |
| 25 | 43122113 | BELL MOUTH | 2 | 2 |
| 26 | 4312C100 | MOTOR, FAN, ICF-280-A100-1 (A) | 2 | 2 |
| 27 | 43146676 | JOINT,CHECK | 1 | 1 |
| 28 | 4314N092 | VALVE, PACKED, 9.52 | 1 | 1 |
| 29 | 37546878 | VALVE, 4-WAY, STF-H0404 | 1 | 1 |
| 30 | 4314N080 | COIL, SOLENOID, STF-H01AJ1736A1 | 1 | 1 |
| 31 | 43146724 | VALVE, BALL, SBV-JA5GTC-1, ROHS | 1 | 1 |
| 32 | 43148294 | ACCUMULATOR | 1 | 1 |
| 34 | 43151301 | SWITCH, PRESSURE | 1 | 1 |
| 35 | 43160612 | LEAD ASSY, COMPRESSOR | 1 | 1 |
| 36 | 43147194 | BONNET, 5/8 IN | 1 | 1 |
| 37 | 4311M659 | MARK, TOSHIBA | 1 | 1 |
| 38 | 4314G266 | CONDENSER ASSY, DOWN | 1 | |
| 39 | 4314G268 | CONDENSER ASSY, DOWN | | 1 |
| 40 | 4314G269 | CONDENSER ASSY, UP | 1 | |
| 41 | 4314G271 | CONDENSER ASSY, UP | | 1 |
| 42 | 4314N023 | VALVE, PLUS, MODULAING, UKV-25D100 | 1 | 1 |
| 43 | 4314N025 | COIL, PMV, UKV-A038 | 1 | 1 |
| 44 | 4314Q031 | STRAINER | 1 | 1 |
| 45 | 4314Q032 | STRAINER | 1 | 1 |
| 46 | 43158227 | REACTOR | 1 | 1 |

14-2. Inverter Assembly

RAV-GP1101AT8(J)-E, RAV-GP1401AT8(J)-E, RAV-GP1601AT8(J)-E
 RAV-GP1101AT8(J)-TR, RAV-GP1401AT8(J)-TR, RAV-GP1601AT8(J)-TR



| Location No. | Part No. | Description | Model name | RAV-GP |
|--------------|----------|------------------------------------|---|--------|
| | | | 1101AT8(J)-E, 1401AT8(J)-E, 1601AT8(J)-E 1101AT8(J)-TR, 1401AT8(J)-TR, 1601AT8(J)-TR | |
| 701 | 43F58288 | REACTOR, CH-56-4Z | | 1 |
| 702 | 43154177 | RELAY | | 1 |
| 704 | 43158207 | REACTOR, CH-68 | | 1 |
| 705 | 43153006 | PTC-THERMISTOR | | 1 |
| 706 | 43050425 | SENSOR ASSY, SERVICE | | 3 |
| 707 | 43150319 | SENSOR ASSY, SERVICE | | 2 |
| 708 | 43160565 | TERMINAL BLOCK, 3P, 20A | | 1 |
| 709 | 43160579 | TERMINAL, 30A, 4P | | 1 |
| 710 | 43F60859 | FUSE BLOCK, 30A, 250V | | 1 |
| 711 | 4316V416 | PC BOARD ASSY, MCC-1596, COMP-IPDU | | 1 |
| 712 | 4316V391 | PC BOARD ASSY, MCC-1597, FAN-IPDU | | 1 |
| 713 | 4316V622 | PC BOARD ASSY, MCC-1599, CDB | | 1 |
| 714 | 4316V398 | PC BOARD ASSY, MCC-1600, N/F | | 1 |
| 715 | 43F63325 | HOLDER, SENSOR (TE) | | 1 |
| 717 | 43160590 | FUSE | | 3 |
| 718 | 43282001 | BUSHING | | 5 |
| 719 | 43183020 | COLLAR | | 5 |
| 720 | 43F63248 | SUPPORTER, ASSY | | 2 |
| 721 | 43060700 | FUSE, 10A, 250V | | 1 |