

AIR CONDITIONER (MULTI TYPE)

SERVICE MANUAL

Indoor unit

<Compact 4-way cassette type>

MMU-UP0051MH-E(TR)
MMU-UP0071MH-E(TR)
MMU-UP0091MH-E(TR)
MMU-UP0121MH-E(TR)
MMU-UP0151MH-E(TR)
MMU-UP0181MH-E(TR)

<2-way cassette type>

MMU-UP0071WH-E(TR)
MMU-UP0091WH-E(TR)
MMU-UP0121WH-E(TR)
MMU-UP0151WH-E(TR)
MMU-UP0181WH-E(TR)
MMU-UP0241WH-E(TR)
MMU-UP0271WH-E(TR)
MMU-UP0301WH-E(TR)
MMU-UP0361WH-E(TR)
MMU-UP0481WH-E(TR)
MMU-UP0561WH-E(TR)

<1-way cassette type>

MMU-UP0151SH-E(TR)
MMU-UP0181SH-E(TR)
MMU-UP0241SH-E(TR)

<Floor standing cabinet type>

MML-UP0071H-E(TR)
MML-UP0091H-E(TR)
MML-UP0121H-E(TR)
MML-UP0151H-E(TR)
MML-UP0181H-E(TR)
MML-UP0241H-E(TR)

<Floor standing concealed type>

MML-UP0071BH-E(TR)
MML-UP0091BH-E(TR)
MML-UP0121BH-E(TR)
MML-UP0151BH-E(TR)
MML-UP0181BH-E(TR)
MML-UP0241BH-E(TR)

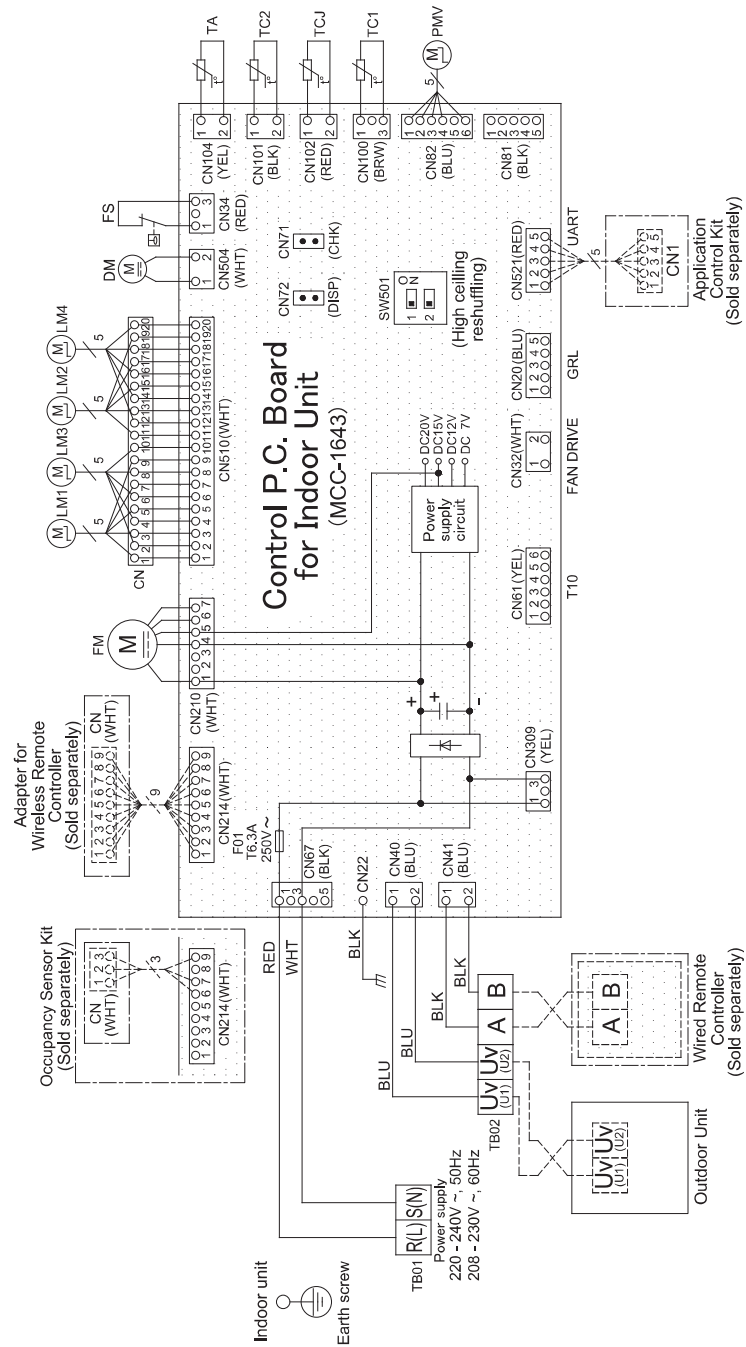
<Floor standing type>

MMF-UP0151H-E(TR)
MMF-UP0181H-E(TR)
MMF-UP0241H-E(TR)
MMF-UP0271H-E(TR)
MMF-UP0361H-E(TR)
MMF-UP0481H-E(TR)
MMF-UP0561H-E(TR)

3. WIRING DIAGRAMS

3-1. Compact 4-way cassette type

MMU- UP0051MH-E(TR), UP0071MH-E(TR), UP0091MH-E(TR), UP0121MH-E(TR), UP0151MH-E(TR), UP0181MH-E(TR)



Color	Indication
RED	Red
WHT	White
YEL	Yellow
BLU	Blue
BLK	Black
GRN	Green
BRW	Brown

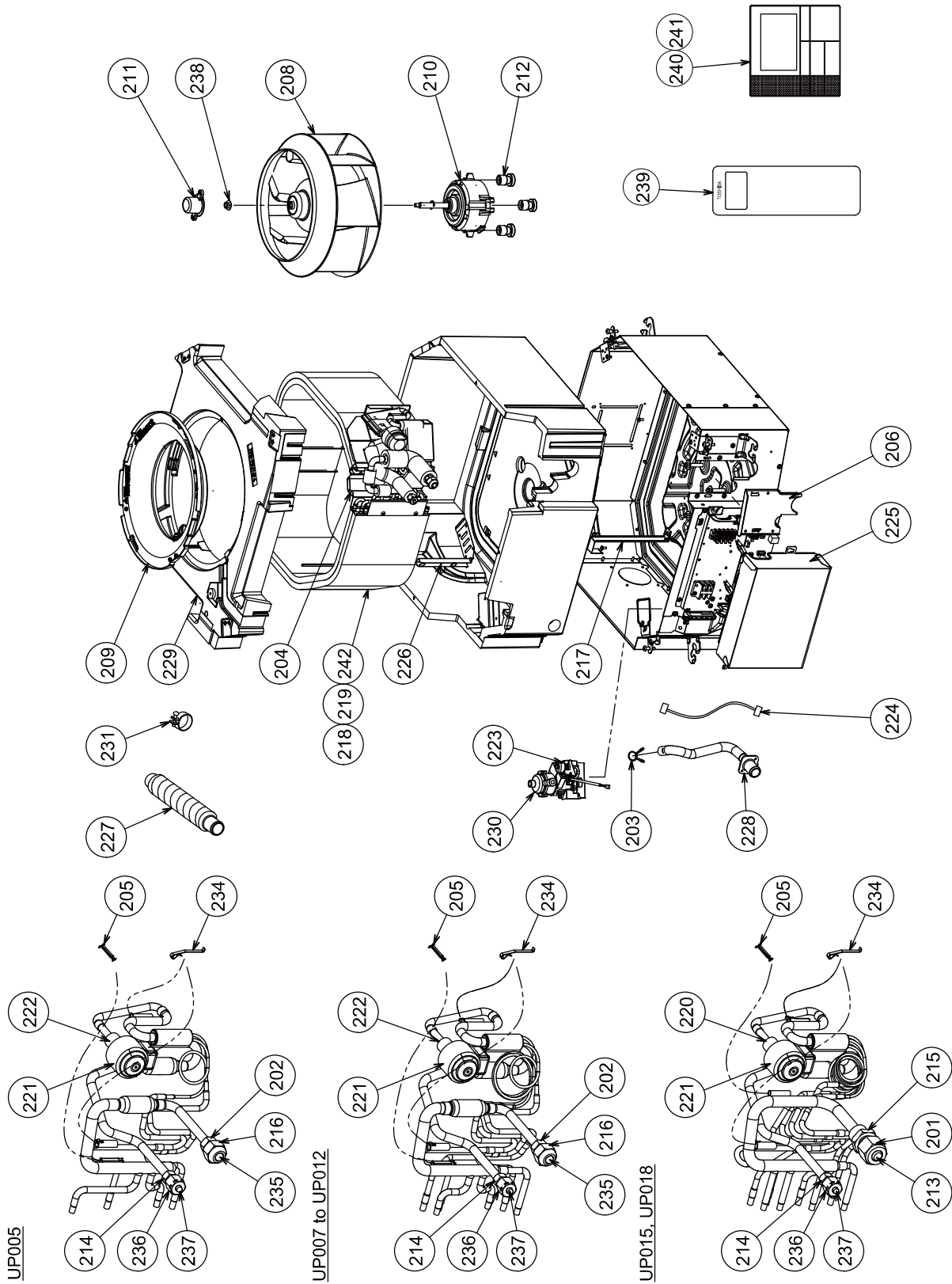
Symbol	Parts Name
---	Field Wiring
⊕	Protection Ground
□	Terminal Block
○	Terminal
□	Connector
□	P.C. Board
---	Accessory

Symbol	Parts Name
CN # *	Connector
DM	Drain Pump Motor
F01	Fuse
FM	Fan Motor
FS	Floater Switch
LMT.2,3,4	Louver Motor
PMV	Pulse Motor Valve
SW501	Dip Switch
TA	Indoor Temp Sensor
TB01.02	Terminal Block
TC1,2,TCJ	Temp Sensor

12. EXPLODED VIEWS AND PARTS LIST

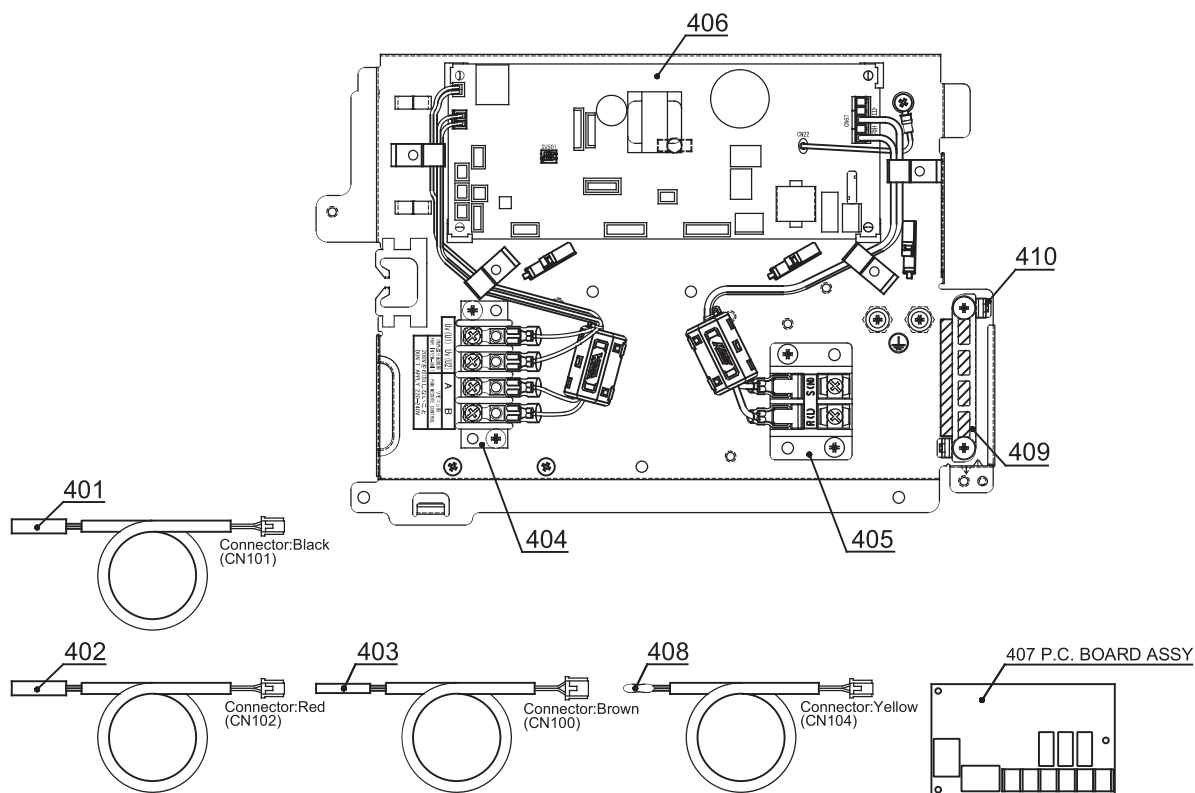
12-1. Compact 4-way cassette type

MMU-UP0051MH-E(TR), UP0071MH-E(TR), UP0091MH-E(TR), UP0121MH-E(TR),
UP0151MH-E(TR), UP0181MH-E(TR)



Location No.	Part No.	Description	Q'ty/Set				MMU-UP	
			0051MH -E (TR)	0071MH -E (TR)	0091MH -E (TR)	0121MH -E (TR)	0151MH -E (TR)	0181MH -E (TR)
201	43047688	NUT, FLARE, 12.7					1	1
202	43049776	SOCKET, 9.52	1	1	1	1		
203	43079249	BAND, HOSE	1	1	1	1	1	1
204	43104248	PLATE ASSY, PARTITION	1	1	1	1	1	1
205	43107215	HOLDER, SENSOR	1	1	1	1	1	1
206	43119542	COVER, PIPE	1	1	1	1	1	1
208	43120277	FAN, ASSY TURBO	1	1	1	1	1	1
209	43122165	BELL MOUTH	1	1	1	1	1	1
210	4312C193	MOTOR, FAN, ICF-340D60-1 N	1	1	1	1	1	1
211	43139166	CAP, NUT	1	1	1	1	1	1
212	43139187	RUBBER, CUSHION	3	3	3	3	3	3
213	43147195	BONNET, 12.7					1	1
214	43149351	SOCKET, 6.35	1	1	1	1	1	1
215	43149353	SOCKET, 12.7					1	1
216	43149355	NUT, FLARE, 9.52	1	1	1	1		
217	43149533	BAND, FIX, EVAPORATOR	1	1	1	1	1	1
218	4314J633	REFRIGERATION CYCLE ASSY					1	1
219	4314J634	REFRIGERATION CYCLE ASSY		1	1	1		
220	4314N202	BODY, PMV, PAM-B40YGTF-1					1	1
221	4314N205	COIL, PMV, PAM-MD12TF-301	1	1	1	1	1	1
222	4314N210	BODY, PMV, PAM-B25YGTF-1	1	1	1	1		
223	43151323	SWITCH, FLOAT	1	1	1	1	1	1
224	43160663	LEAD, RELAY	1	1	1	1	1	1
225	43162087	COVER, E-BOX	1	1	1	1	1	1
226	43163052	HOLDER, LEAD, FAN MOTOR	1	1	1	1	1	1
227	43170276	HOSE, DRAIN	1	1	1	1	1	1
228	43170277	HOSE, DRAIN	1	1	1	1	1	1
229	43172259	PAN ASSY, DRAIN	1	1	1	1	1	1
230	43177029	PUMP, DRAIN	1	1	1	1	1	1
231	43179170	BAND, HOSE	2	2	2	2	2	2
234	43F19904	HOLDER, SENSOR (TS)	2	2	2	2	2	2
235	43F47609	BONNET, 9.52	1	1	1	1		
236	43F47685	NUT, FLARE, 9.52	1	1	1	1	1	1
237	43F49697	BONNET, 6.35	1	1	1	1	1	1
238	43F97212	NUT	1	1	1	1	1	1
239	43166041	REMOTE CONTROLLER, WIRELESS, RBC-AXU31-E	1	1	1	1	1	1
240	43166042	REMOTE CONTROLLER, WIRED, RBC-AMSU51-EN	1	1	1	1	1	1
241	43166043	REMOTE CONTROLLER, WIRED, RBC-AMSU51-ES	1	1	1	1	1	1
242	4314J668	REFRIGERATION CYCLE ASSY	1					

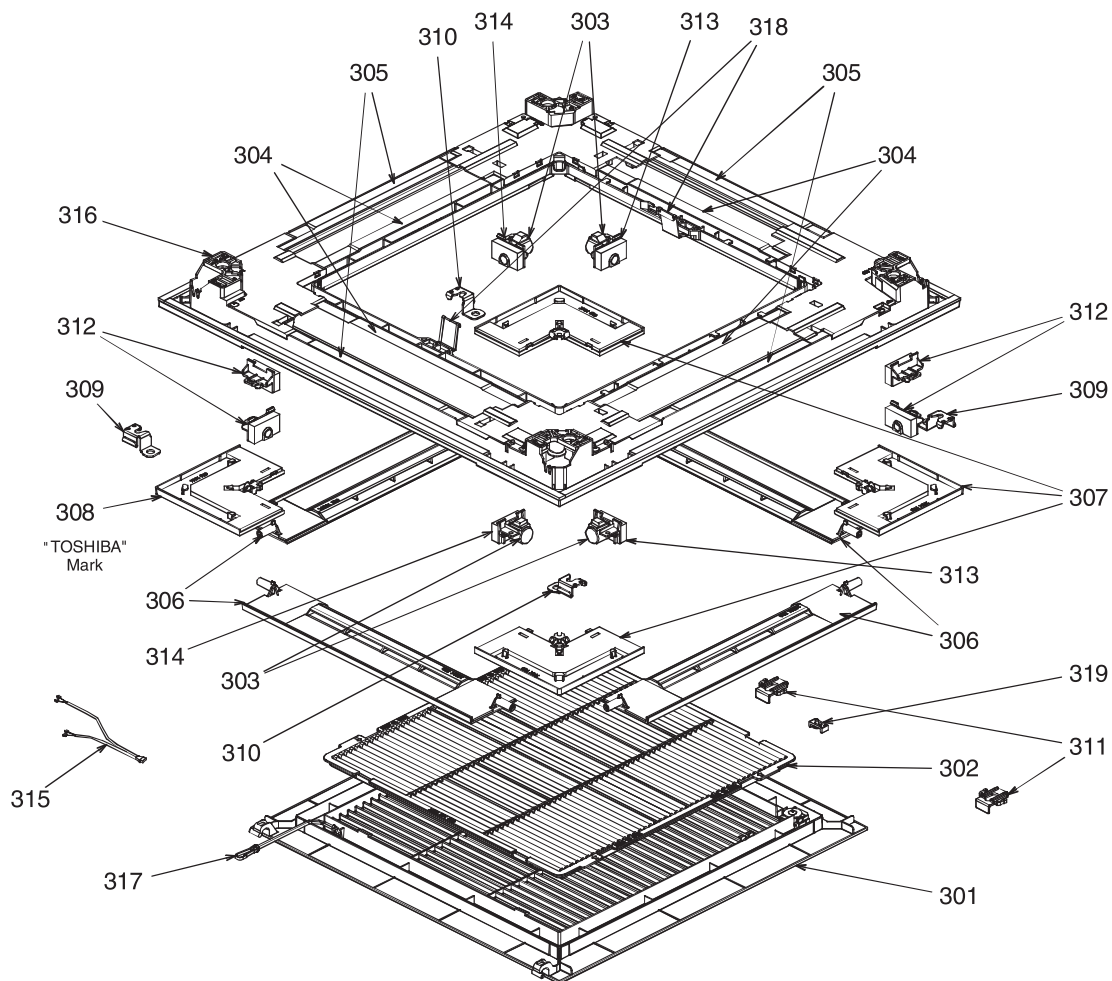
Electric Parts



Location No.	Part No.	Description	Q'ty/Set
			MMU-UP0**1MH-E(TR)
401	43150394	SENSOR	1
402	43150395	SENSOR	1
403	43150417	SENSOR, TEMP	1
404	43160694	TERMINAL, 4P	1
405	43160626	TERMINAL BLOCK, 2P, 20A	1
406	4316V727	P.C. BOARD ASSY, MCC-1643	1
407	43459017	P.C. BOARD ASSY, TCB-PCUC*E	1
408	43150423	SENSOR, TA	1
409	43163057	CLAMP, DOWN	1
410	43163058	CLAMP, UP	1

◆ Ceiling panel

RBC-UM21PG (W)-E



Location No.	Part No.	Description	Q'ty/Set
301	43109441	GRILLE, AIR INLET	1
302	43180361	AIR FILTER	1
303	4342D001	MOTOR, LOUVER, MSBPC20F04	4
304	43107296	OUTLET, AIR FORM	4
305	43107297	OUTLET, AIR FORM	4
306	43122166	LOUVER ASSY	4
307	4310A142	COVER, PANEL ASSY	3
308	4310A143	COVER, PANEL ASSY	1
309	43107298	PLATE, FIX PANEL (A)	2
310	43107299	PLATE, FIX PANEL (B)	2
311	43107300	HOOK	2
312	43107301	CAP, AXIS	4
313	43107302	FIX, MOTOR ASSY	2
314	43107303	FIX, MOTOR ASSY	2
315	43160664	LEAD, MOTOR	1
316	4310A144	PANEL, HINS ASSY	1
317	43419022	STRING	1
318	43107304	HANGER	2
319	43107305	FIX, GRILLE	1