

# TOSHIBA

## AIR CONDITIONER (MULTI TYPE)

# SERVICE MANUAL

### Indoor unit

#### <4-way cassette type>

MMU-UP0091HP-E(TR)  
 MMU-UP0121HP-E(TR)  
 MMU-UP0151HP-E(TR)  
 MMU-UP0181HP-E(TR)  
 MMU-UP0241HP-E(TR)  
 MMU-UP0271HP-E(TR)  
 MMU-UP0301HP-E(TR)  
 MMU-UP0361HP-E(TR)  
 MMU-UP0481HP-E(TR)  
 MMU-UP0561HP-E(TR)

#### <Ceiling type>

MMC-UP0151HP-E(TR)  
 MMC-UP0181HP-E(TR)  
 MMC-UP0241HP-E(TR)  
 MMC-UP0271HP-E(TR)  
 MMC-UP0361HP-E(TR)  
 MMC-UP0481HP-E(TR)  
 MMC-UP0561HP-E(TR)

#### <Concealed Duct Standard type>

MMD-UP0051BHP-E  
 MMD-UP0071BHP-E(TR)  
 MMD-UP0091BHP-E(TR)  
 MMD-UP0121BHP-E(TR)  
 MMD-UP0151BHP-E(TR)  
 MMD-UP0181BHP-E(TR)  
 MMD-UP0241BHP-E(TR)  
 MMD-UP0271BHP-E(TR)  
 MMD-UP0301BHP-E(TR)  
 MMD-UP0361BHP-E(TR)  
 MMD-UP0481BHP-E(TR)  
 MMD-UP0561BHP-E(TR)

#### <Concealed Duct High Static Pressure type>

MMD-UP0181HP-E(TR)  
 MMD-UP0241HP-E(TR)  
 MMD-UP0271HP-E(TR)  
 MMD-UP0361HP-E(TR)  
 MMD-UP0481HP-E(TR)  
 MMD-UP0561HP-E(TR)  
 MMD-UP0721HP-E(TR)  
 MMD-UP0961HP-E(TR)

#### <Concealed Duct High Static Pressure fresh air intake type>

MMD-UP0481HFP-E(TR)  
 MMD-UP0721HFP-E(TR)  
 MMD-UP0961HFP-E(TR)  
 MMD-UP1121HFP-E(TR)  
 MMD-UP1281HFP-E(TR)

#### <Console type>

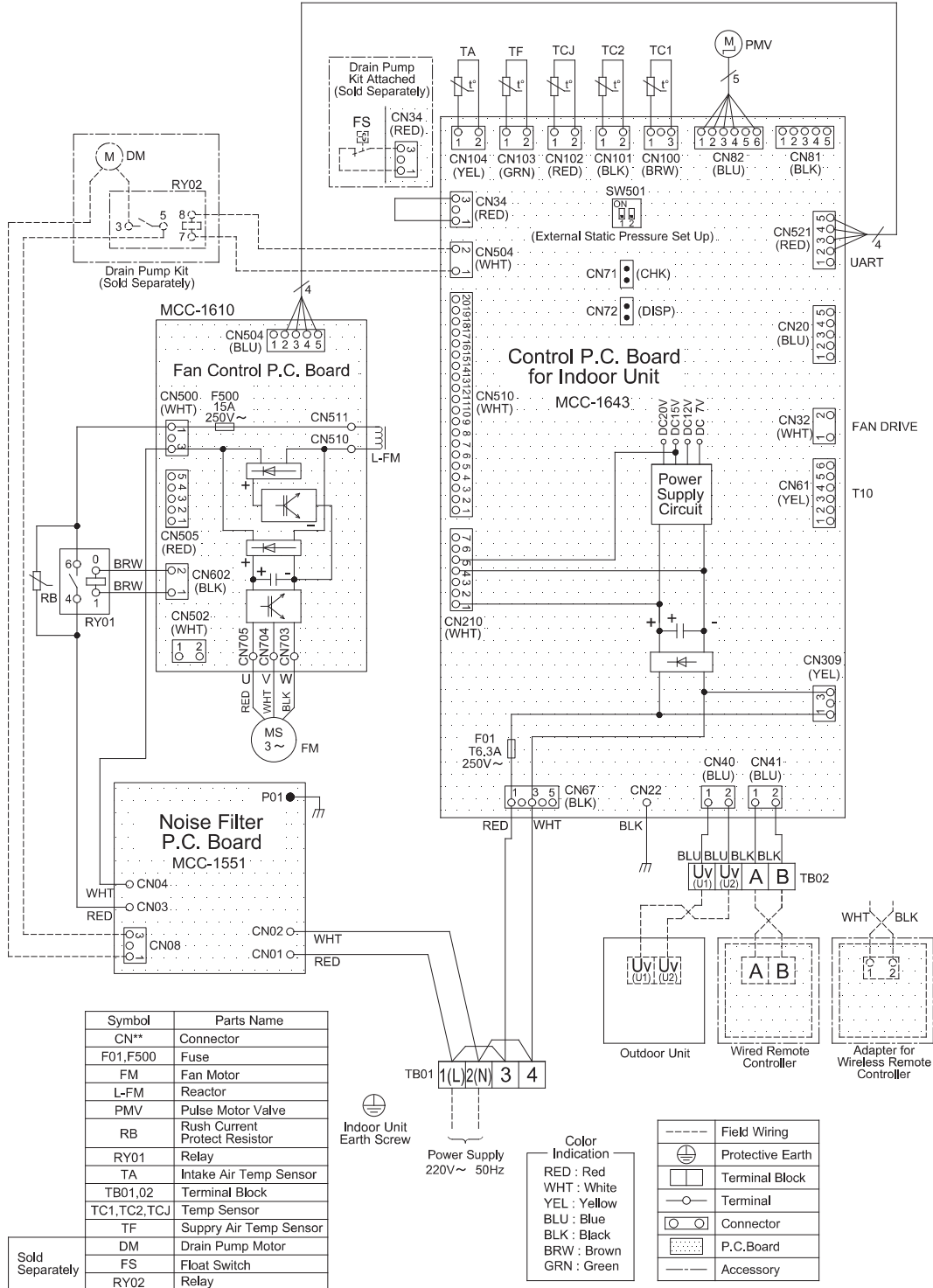
MML-UP0071NHP-E(TR)  
 MML-UP0091NHP-E(TR)  
 MML-UP0121NHP-E(TR)  
 MML-UP0151NHP-E(TR)  
 MML-UP0181NHP-E(TR)

#### <High wall type>

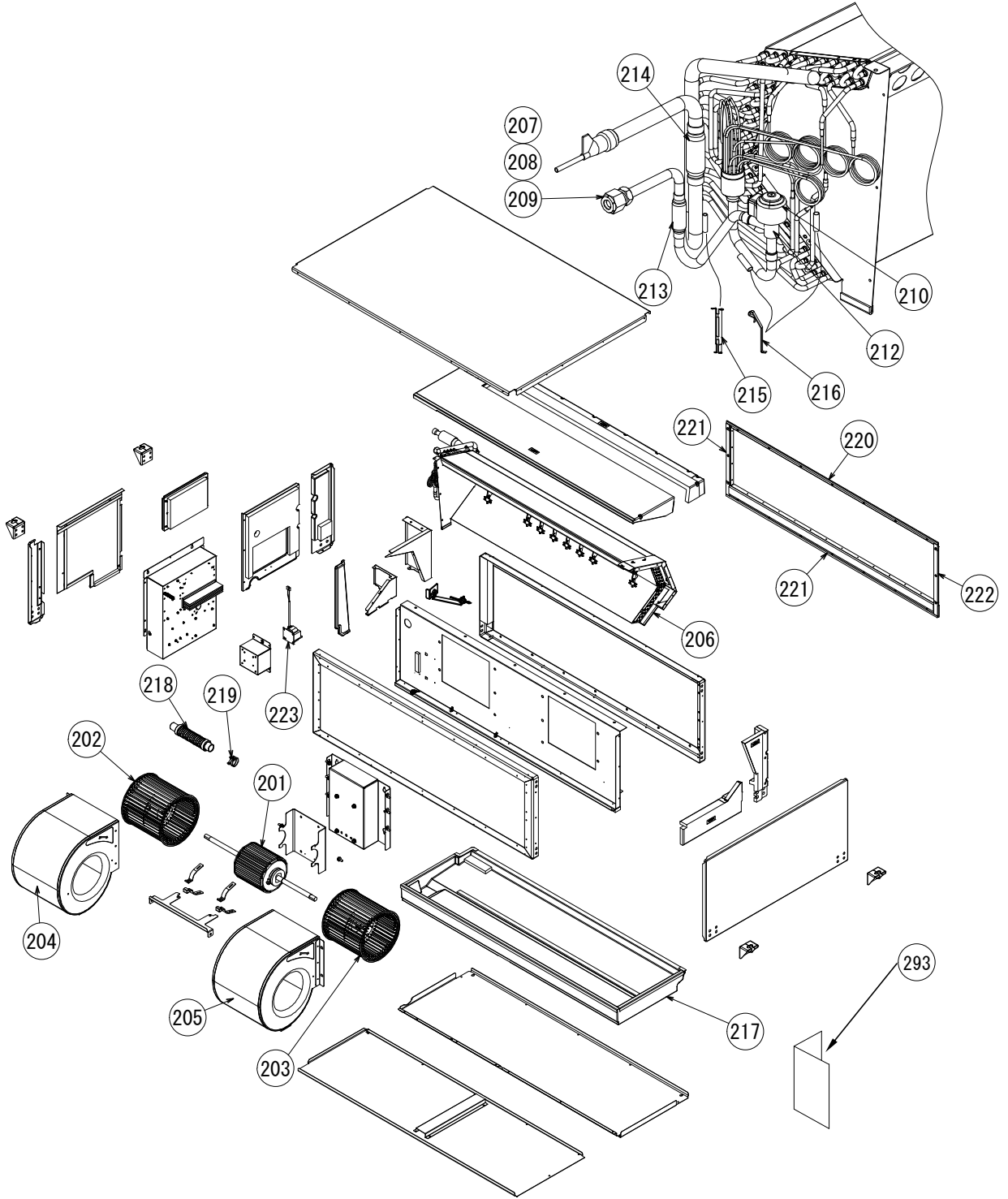
MMK-UP0031HP-E(TR)  
 MMK-UP0051HP-E(TR)  
 MMK-UP0071HP-E(TR)  
 MMK-UP0091HP-E(TR)  
 MMK-UP0121HP-E(TR)  
 MMK-UP0151HP-E(TR)  
 MMK-UP0181HP-E(TR)  
 MMK-UP0241HP-E(TR)  
 MMK-UP0031HPL-E(TR)  
 MMK-UP0051HPL-E(TR)  
 MMK-UP0071HPL-E(TR)  
 MMK-UP0091HPL-E(TR)  
 MMK-UP0121HPL-E(TR)  
 MMK-UP0151HPL-E(TR)  
 MMK-UP0181HPL-E(TR)  
 MMK-UP0241HPL-E(TR)

### 3-5. Concealed Duct High Static Pressure fresh air intake type MMD-UP\*\*\*\*HFP-E(TR)

Fresh Air Intake Unit Concealed Duct Type Wiring Diagram

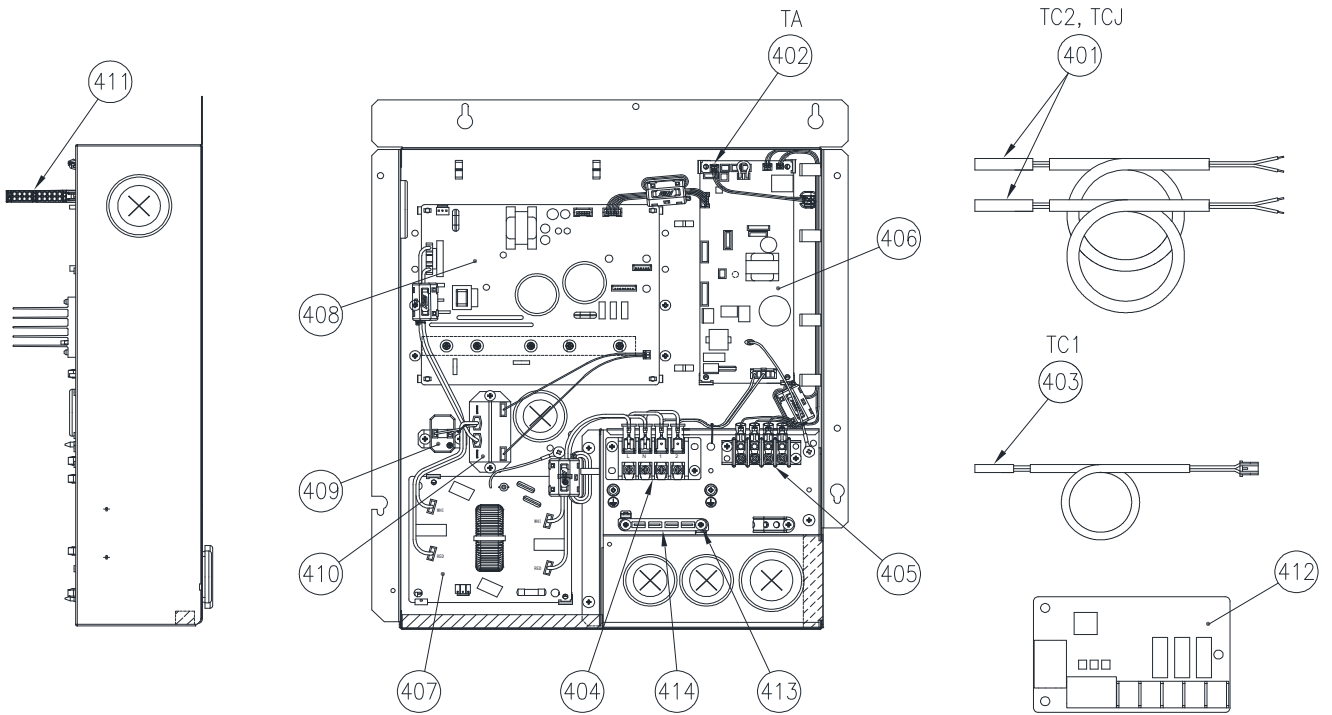


MMD-UP0721HFP-E(TR), MMD-UP0961HFP-E(TR), MMD-UP1121HFP-E(TR), MMD-UP1281HFP-E(TR)



Location No.	Part No.	Description	Model name MMD-UP			
			0721HFP-E(TR)	0961HFP-E(TR)	1121HFP-E(TR)	1281HFP-E(TR)
201	43T21463	MOTOR, FAN	1	1	1	1
202	43T20346	FAN, MULTI BLADE, LEFT	1	1	1	1
203	43T20345	FAN, MULTI BLADE, RIGHT	1	1	1	1
204	43T22347	CASE, FAN, LEFT	1	1	1	1
205	43T22346	CASE, FAN, RIGHT	1	1	1	1
206	43T44694	REFRIGERATION CYCLE ASSY	1	1	1	1
207	43T47333	BONNET, 12.70 DIA	1	1	1	1
208	43T82333	SOCKET	1	1	1	1
209	43T97317	NUT, FLARE, 1/2 IN	1	1	1	1
210	43T46515	COIL, PMV	1	1	1	1
212	43T46514	BODY, PMV	1	1	1	1
213	43T47387	STRAINER	1	1	1	1
214	43T47407	STRAINER, GAS	1	1	1	1
215	43T19333	HOLDER, SENSOR	2	2	2	2
216	43T19321	FIX-P-SENSOR	1	1	1	1
217	43T72326	ASM-DR-GENE	1	1	1	1
218	43T70315	HOSE, DRAIN	1	1	1	1
219	43T83311	BAND, HOSE	1	1	1	1
220	43T39371	FLANGE, UPPER	1	1	1	1
221	43T39372	FLANGE, LOWER	1	1	1	1
222	43T39373	FLANGE, SIDE	2	2	2	2
223	43T58332	REACTOR	1	1	1	1
290	43T77302	PUMP DRAIN	1	1	1	1
291	43T51313	FLOT SWITCH	1	1	1	1
292	43T54325	RELAY	1	1	1	1
293	43T85807	OWNER'S MANUAL	1	1	1	1

## Electric Parts



Location No.	Part No.	Description	Model name MMD-UP			
			0721HFP-E(TR)	0961HFP-E(TR)	1121HFP-E(TR)	1281HFP-E(TR)
401	43T50347	SENSOR ASSY, SERVICE	2	2	2	2
402	43T50476	SERVICE-SENSOR	1	1	1	1
403	43T50477	TC-SENSOR (TC1)	1	1	1	1
404	43T60458	SERV-TERMINAL	1	1	1	1
405	43T60362	TERMINAL	1	1	1	1
406	43T6W953	PC BOARD ASSY	1	1	1	1
407	43T6V670	PC BOARD ASSY	1	1	1	1
408	43T6V671	PC BOARD ASSY	1	1	1	1
409	43T50345	THERMISTOR,PTC	1	1	1	1
410	43T54324	POWER-RELAY	1	1	1	1
411	43T63356	HOLDER-TA	1	1	1	1
412	43459017	ASM-PCB(OP)	1	1	1	1
413	43T63348	CLAMP, DOWN	1	1	1	1
414	43T63349	CLAMP, UP	1	1	1	1