

AIR CONDITIONER (MULTI TYPE)

SERVICE MANUAL

Indoor unit

<Compact 4-way cassette type>

MMU-UP0051MH-E(TR)
MMU-UP0071MH-E(TR)
MMU-UP0091MH-E(TR)
MMU-UP0121MH-E(TR)
MMU-UP0151MH-E(TR)
MMU-UP0181MH-E(TR)

<2-way cassette type>

MMU-UP0071WH-E(TR)
MMU-UP0091WH-E(TR)
MMU-UP0121WH-E(TR)
MMU-UP0151WH-E(TR)
MMU-UP0181WH-E(TR)
MMU-UP0241WH-E(TR)
MMU-UP0271WH-E(TR)
MMU-UP0301WH-E(TR)
MMU-UP0361WH-E(TR)
MMU-UP0481WH-E(TR)
MMU-UP0561WH-E(TR)

<1-way cassette type>

MMU-UP0151SH-E(TR)
MMU-UP0181SH-E(TR)
MMU-UP0241SH-E(TR)

<Floor standing cabinet type>

MML-UP0071H-E(TR)
MML-UP0091H-E(TR)
MML-UP0121H-E(TR)
MML-UP0151H-E(TR)
MML-UP0181H-E(TR)
MML-UP0241H-E(TR)

<Floor standing concealed type>

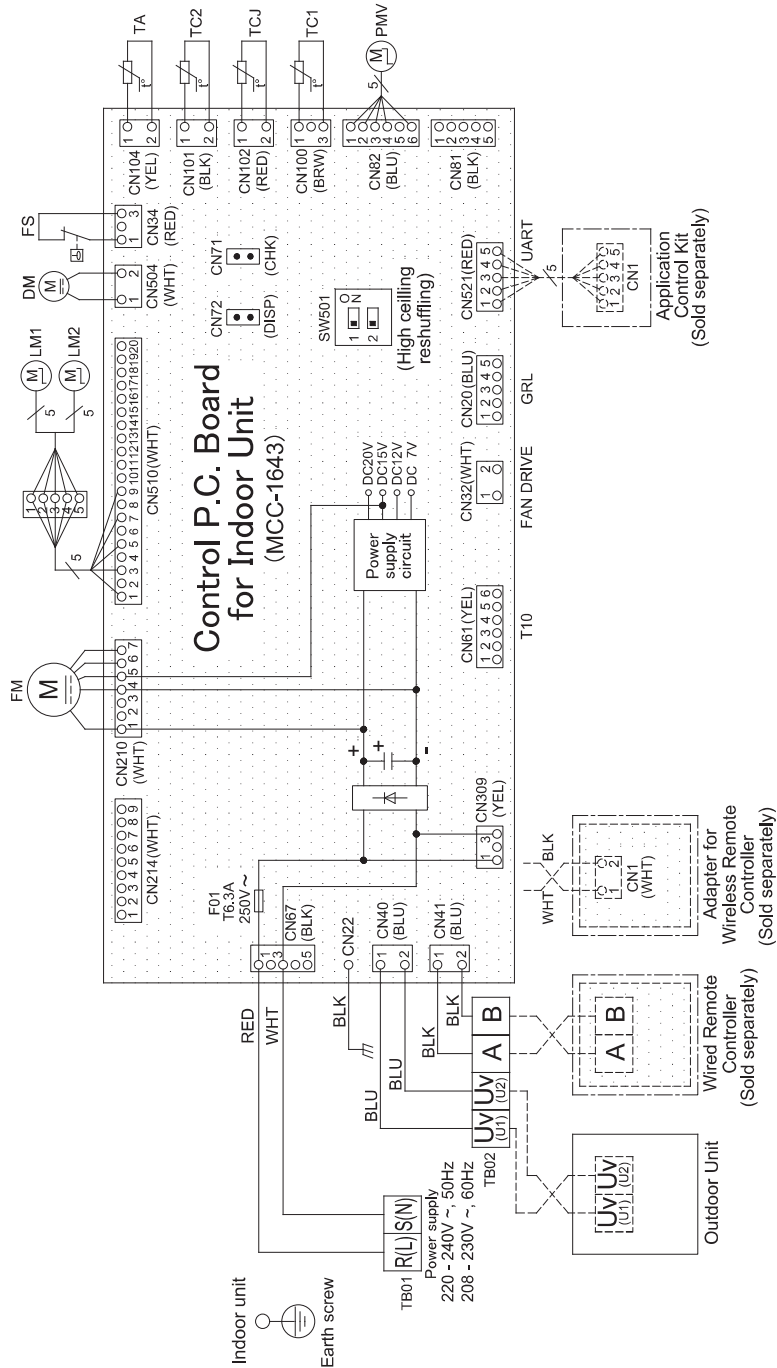
MML-UP0071BH-E(TR)
MML-UP0091BH-E(TR)
MML-UP0121BH-E(TR)
MML-UP0151BH-E(TR)
MML-UP0181BH-E(TR)
MML-UP0241BH-E(TR)

<Floor standing type>

MMF-UP0151H-E(TR)
MMF-UP0181H-E(TR)
MMF-UP0241H-E(TR)
MMF-UP0271H-E(TR)
MMF-UP0361H-E(TR)
MMF-UP0481H-E(TR)
MMF-UP0561H-E(TR)

3-2. 2-way cassette type

MMU-UP0071WH-E(TR), UP0091WH-E(TR), UP0121WH-E(TR), UP0151WH-E(TR),
 UP0181WH-E(TR), UP0241WH-E(TR), UP0271WH-E(TR), UP0301WH-E(TR),
 UP0361WH-E(TR), UP0481WH-C, UP0561WH-E(TR)



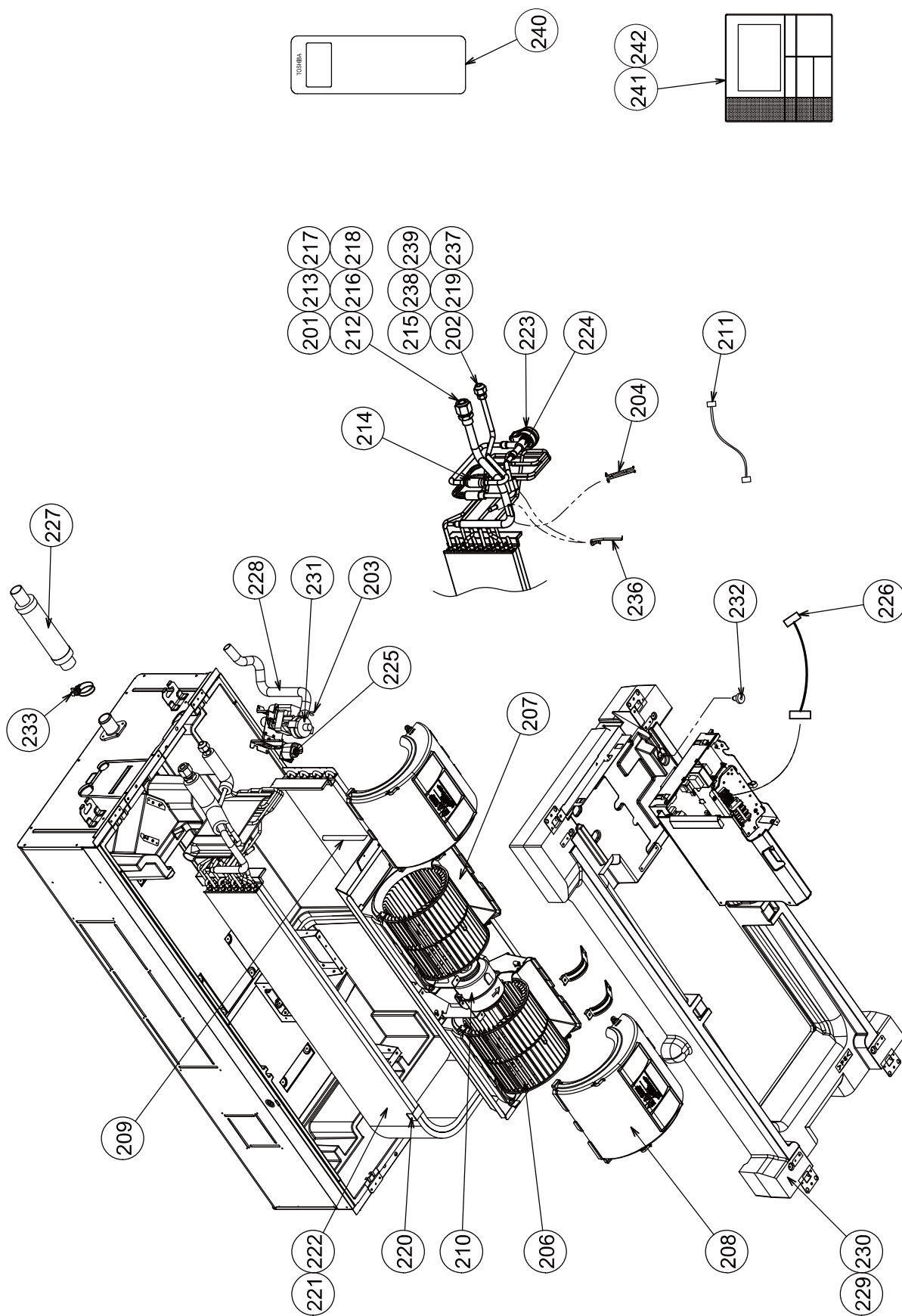
Color Indication

RED:Red
WHT:White
YEL:Yellow
BLU:Blue
BLK:Black
GRN:Green
BRW:Brown

Field Wiring
Protection Ground
Terminal Block
Terminal
Connector
P.C.Board
Accessory

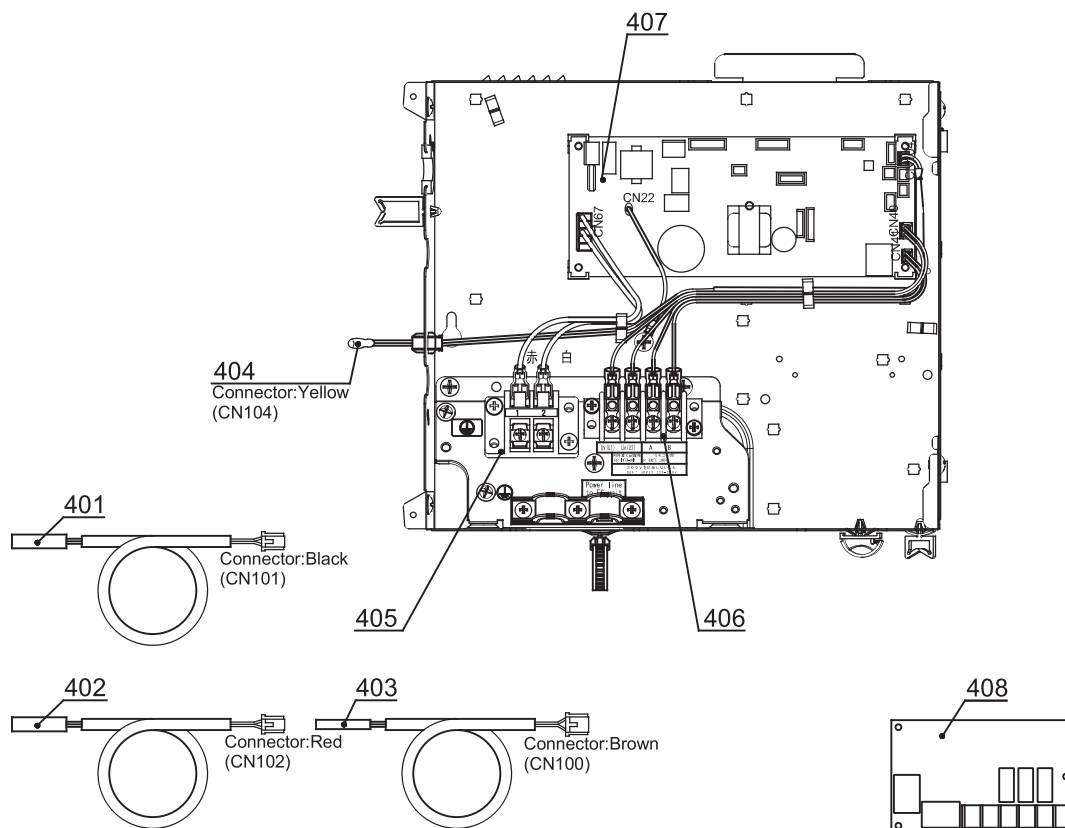
Symbol	Parts Name
CN **	Connector
DM	Drain Pump Motor
F01	Fuse
FM	Fan Motor
FS	Floot Switch
LM1,2	Louver Motor
PMV	Pulse Motor Valve
SW501	Dip Switch
TA	Indoor Temp Sensor
TB01,02	Terminal Block
TC1,2,TCJ	Temp Sensor

MMU-UP0181WH-E(TR), UP0241WH-E(TR), UP0271WH-E(TR), UP0301WH-E(TR)



Location No.	Part No.	Description	Q'ty/Set		MMU-UP	
			0181WH -E (TR)	0241WH -E (TR)	0271WH -E (TR)	0301WH -E (TR)
201	43047688	NUT, FLARE, 12.7	1			
202	43049776	SOCKET, 9.52		1	1	1
203	43079249	BAND, HOSE	1	1	1	1
204	43107215	HOLDER, SENSOR	1	1	1	1
206	43120239	FAN, MULTI BLADE	2	2	2	2
207	43122097	CASE, FAN	2	2	2	2
208	43122098	CASE, FAN	2	2	2	2
209	43122099	PLATE, WIND	4	4	4	4
210	4312C183	MOTOR, FAN, ICF-340WD94-9	1	1	1	1
211	43135022	CONNECTOR ASSY, PMV	1	1	1	1
212	43147194	BONNET, 15.88		1	1	1
213	43147195	BONNET, 12.7	1			
214	43147664	STRAINER, 9.52	1	1	1	1
215	43149351	SOCKET, 6.35	1			
216	43149352	NUT, FLARE, 15.88		1	1	1
217	43149353	SOCKET, 12.7	1			
218	43149354	SOCKET, 15.88		1	1	1
219	43149355	NUT, FLARE, 9.52		1	1	1
220	43149534	BAND, FIX, EVAPORATOR	2	2	2	2
221	4314J637	REFRIGERATION CYCLE ASSY	1			
222	4314J638	REFRIGERATION CYCLE ASSY		1	1	1
223	4314N205	COIL, PMV, PAM-MD12TF-301	1	1	1	1
224	4314N209	BODY, PMV, PAM-B40YGTF-2	1	1	1	1
225	43151328	SWITCH, FLOAT, FS-0218-103	1	1	1	1
226	43160691	LEAD, CONN	1	1	1	1
227	43170244	HOSE, DRAIN	1	1	1	1
228	43170290	HOSE, DRAIN	1	1	1	1
229	43172192	PAN ASSY, DRAIN	1			
230	43172193	PAN ASSY, DRAIN		1	1	1
231	43177028	PUMP, DRAIN, PMD-08D12TF-2	1	1	1	1
232	43179110	PLUG	1	1	1	1
233	43179163	BAND, HOSE	1	1	1	1
236	43F19904	HOLDER, SENSOR (TS)	2	2	2	2
237	43F47609	BONNET, 9.52		1	1	1
238	43F47685	NUT, FLARE, 6.35	1			
239	43F49697	BONNET, 6.35	1			
239	43166041	REMOTE CONTROLLER, WIRELESS, RBC-AXU31-E	1	1	1	1
240	43166042	REMOTE CONTROLLER, WIRED, RBC-AMSU51-EN	1	1	1	1
241	43166043	REMOTE CONTROLLER, WIRED, RBC-AMSU51-ES	1	1	1	1

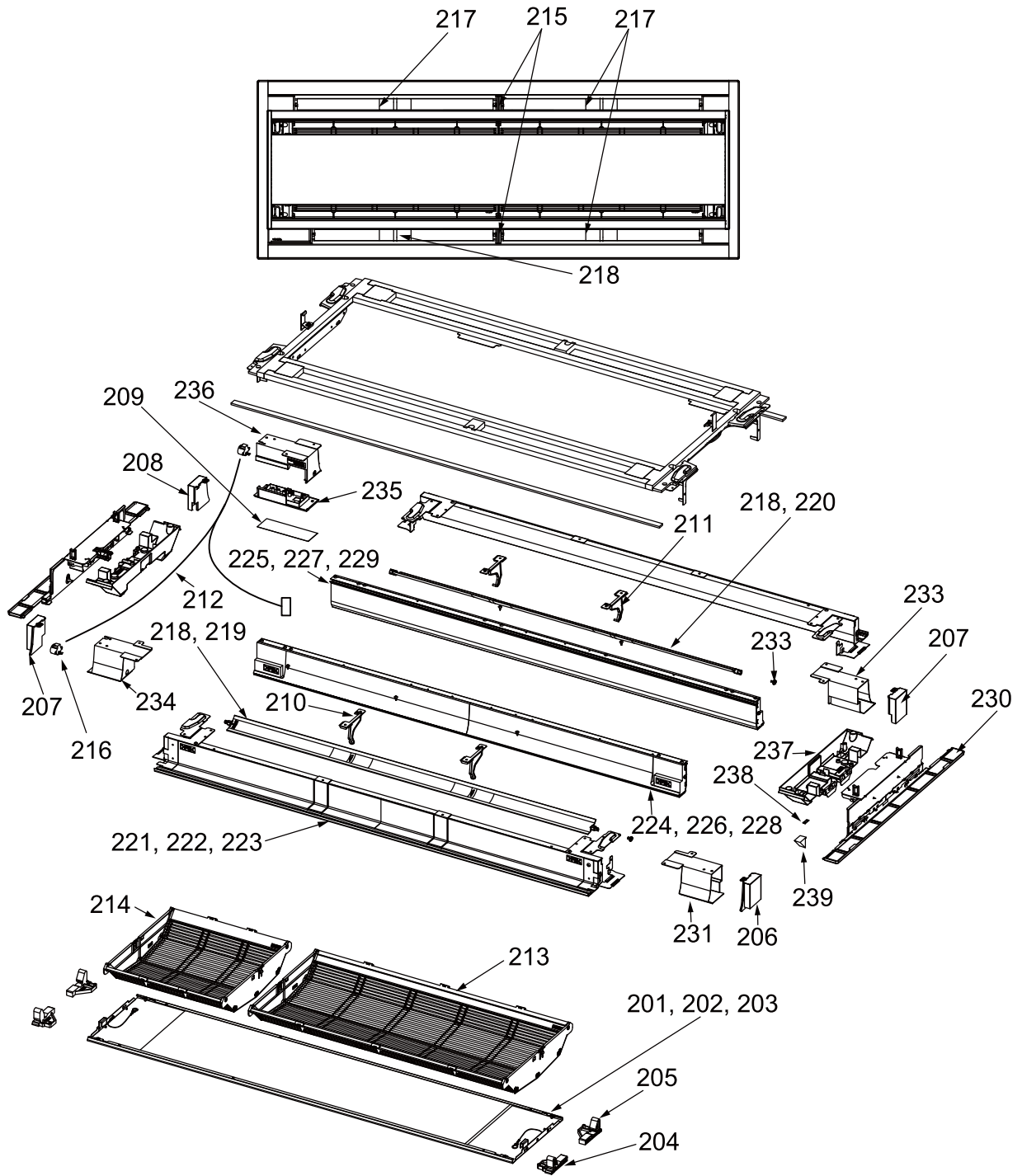
Electric Parts



Location No.	Part No.	Description	Q'ty/Set
			MMU-UP0**1WH-E(TR)
401	43150422	SENSOR, TC	1
402	43150342	SENSOR (DOUBLE-COATED CABLES)	1
403	43150414	SENSOR, TEMP	1
404	43150421	SENSOR, TA	1
405	43160626	TERMINAL BLOCK, 2P, 20A	1
406	43160694	TERMINAL, 4P	1
407	4316V727	P.C. BOARD ASSY, MCC-1643	1
408	43459017	P.C. BOARD ASSY, TCB-PCUC*E	1

◆ Ceiling panel

RBC-UW283PG (W)-E, RBC-UW803PG (W)-E, RBC-UW1403PG (W)-E



Location No.	Part No.	Description	Q'ty/Set RBC-UW		
			283PG (W)-E	803PG (W)-E	1403PG (W)-E
201	43409195	Panel, 941L	1		
202	43409196	Panel, 1306L		1	
203	43409197	Panel, 1726L			1
204	43407134	Hook, Inlet	2	2	2
205	43407135	Hook, Inlet	2	2	2
206	43403007	Cover, Spacer	1	1	1
207	43403008	Cover, Spacer	2	2	2
208	43403009	Cover, Spacer	1	1	1
209	43408036	Mark, TOSHIBA	1	1	1
210	43407136	Fix, Louver, Middle	1	2	2
211	43407137	Fix, Louver, Middle	1	2	2
212	43460115	Lead Ass'y, Motor	1	1	1
213	43409193	Filter Ass'y	1	1	2
214	43409194	Filter Ass'y		1	
215	43407138	Spacer, Louver, Middle			2
216	4302C063	Motor, Louver, MP24Z	2	2	2
217	43409189	Louver	1		3
218	43409190	Louver	1		1
219	43409191	Louver		1	
220	43409192	Louver		1	
221	43400069	Frame, Outlet	2		
222	43400071	Frame, Outlet		2	
223	43400073	Frame, Outlet			2
224	43400060	Frame, Inlet	1		
225	43400061	Frame, Inlet	1		
226	43400062	Frame, Inlet		1	
227	43400063	Frame, Inlet		1	
228	43400064	Frame, Inlet			1
229	43400065	Frame, Inlet			1
230	43400066	Cover, Body	2	2	2
231	43401030	Spacer	1	1	1
232	43401031	Spacer	1	1	1
233	43407140	Cap, Louver	2	2	2
234	43401033	Spacer, Motor	1	1	1
235	43401034	Base Ass'y, P.C. board	1	1	1
236	43401035	Cover, P.C. board	1	1	1
237	43100492	Cover Ass'y, Frame	2	2	2
238	43108025	Fix, Plate	4	4	4
239	43108024	Fix, Panel	4	4	4