

AIR CONDITIONER (MULTI TYPE)

SERVICE MANUAL

Indoor unit

<Compact 4-way cassette type>

MMU-UP0051MH-E(TR)
MMU-UP0071MH-E(TR)
MMU-UP0091MH-E(TR)
MMU-UP0121MH-E(TR)
MMU-UP0151MH-E(TR)
MMU-UP0181MH-E(TR)

<2-way cassette type>

MMU-UP0071WH-E(TR)
MMU-UP0091WH-E(TR)
MMU-UP0121WH-E(TR)
MMU-UP0151WH-E(TR)
MMU-UP0181WH-E(TR)
MMU-UP0241WH-E(TR)
MMU-UP0271WH-E(TR)
MMU-UP0301WH-E(TR)
MMU-UP0361WH-E(TR)
MMU-UP0481WH-E(TR)
MMU-UP0561WH-E(TR)

<1-way cassette type>

MMU-UP0151SH-E(TR)
MMU-UP0181SH-E(TR)
MMU-UP0241SH-E(TR)

<Floor standing cabinet type>

MML-UP0071H-E(TR)
MML-UP0091H-E(TR)
MML-UP0121H-E(TR)
MML-UP0151H-E(TR)
MML-UP0181H-E(TR)
MML-UP0241H-E(TR)

<Floor standing concealed type>

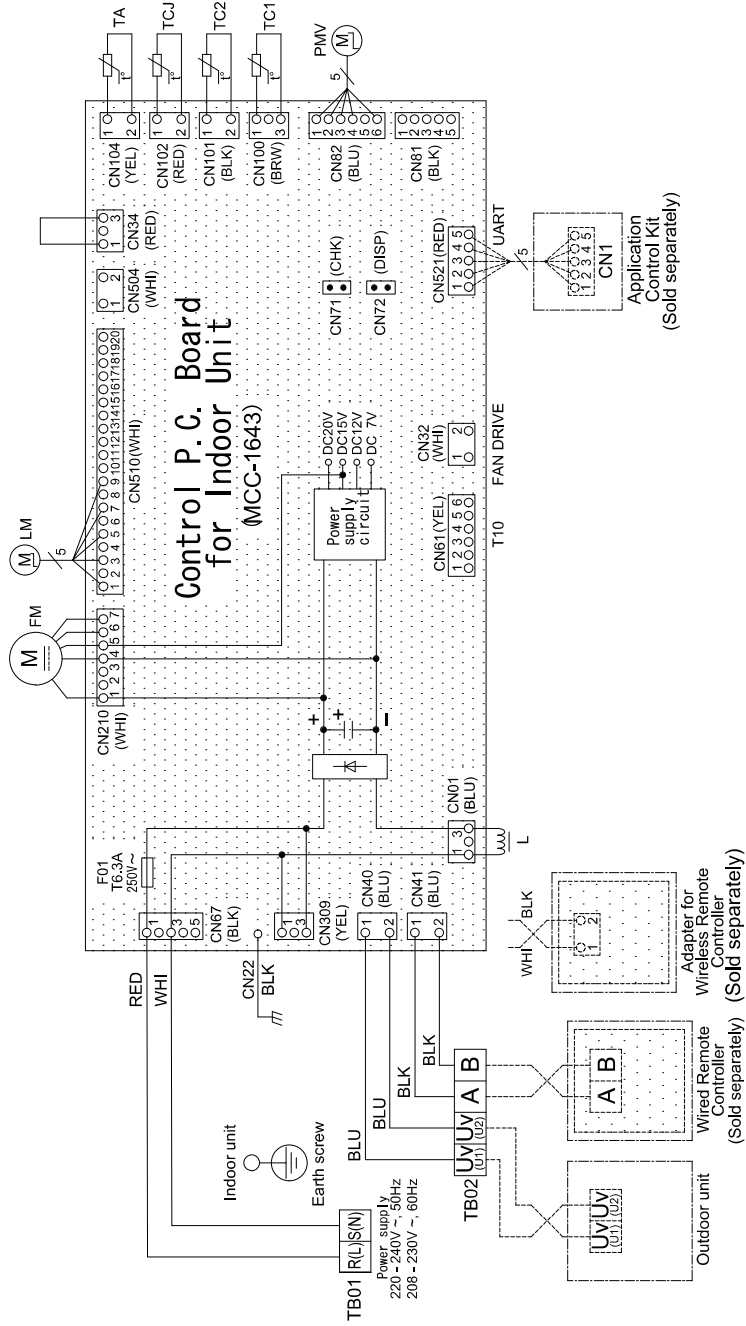
MML-UP0071BH-E(TR)
MML-UP0091BH-E(TR)
MML-UP0121BH-E(TR)
MML-UP0151BH-E(TR)
MML-UP0181BH-E(TR)
MML-UP0241BH-E(TR)

<Floor standing type>

MMF-UP0151H-E(TR)
MMF-UP0181H-E(TR)
MMF-UP0241H-E(TR)
MMF-UP0271H-E(TR)
MMF-UP0361H-E(TR)
MMF-UP0481H-E(TR)
MMF-UP0561H-E(TR)

3-6. Floor standing type

MMF-UP0151H-E(TR), UP0181H-E(TR), UP0241H-E(TR), UP0271H-E(TR), UP0361H-E(TR), UP0481H-E(TR), UP0561H-E(TR)



COLOR INDICATION

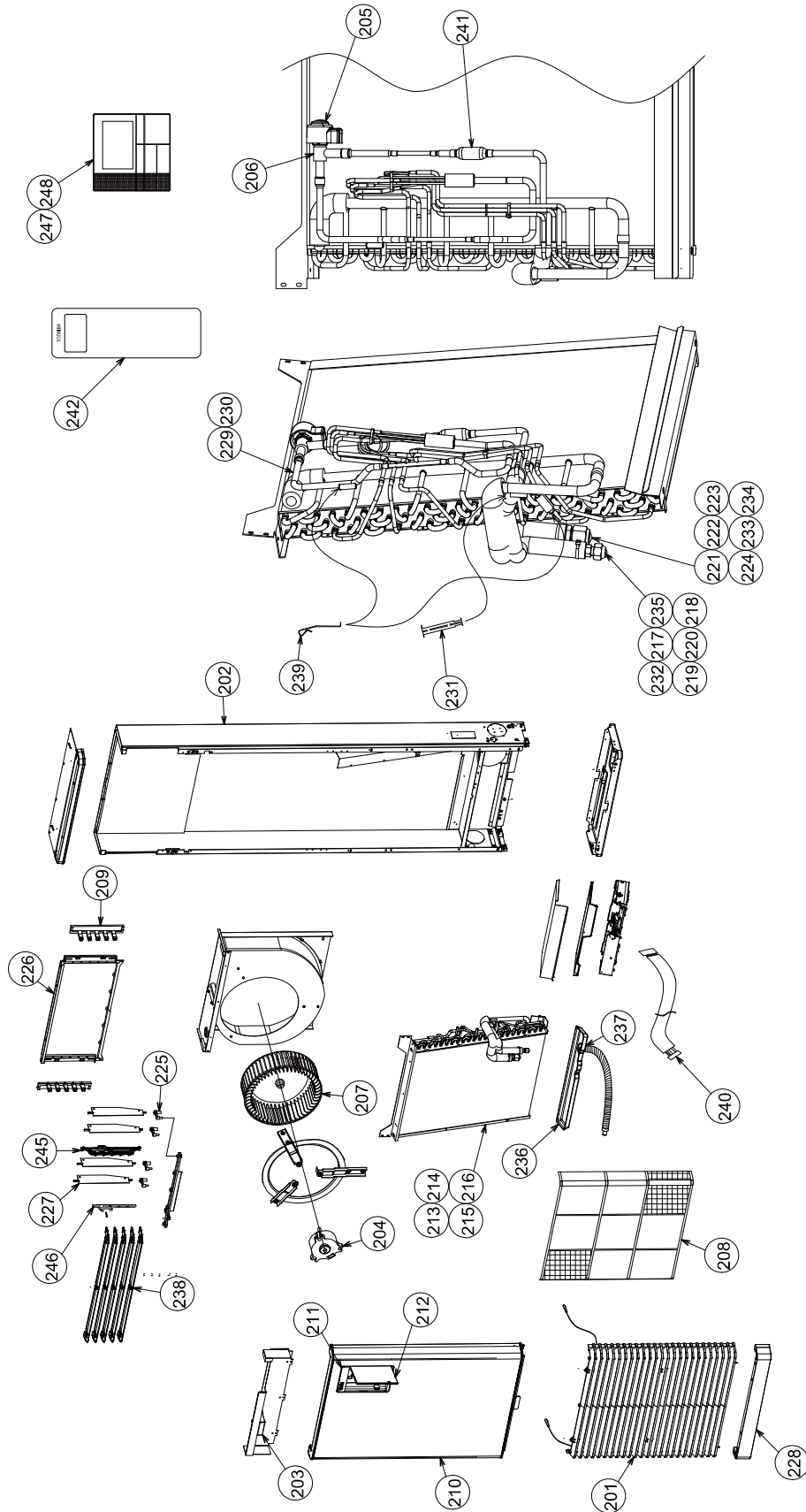
RED:RED
WHI:WHITE
YEL:YELLOW
BLU:BLUE
BLK:BLACK
BRW:BROWN

Symbol	Parts Name
	Field Wiring
	Protection Ground
	Terminal Block
	Terminal
	Connector
	P.C.Board
	Accessory

Symbol	Parts Name
CN**	Connector
F01	Fuse
FM	Fan Motor
L	Reactor
LM	Louver Motor
PMV	Pulse Motor Valve
TA	Indoor temp sensor
TB01,02	Terminal Block
TC1,TC2,TCJ	Temp sensor

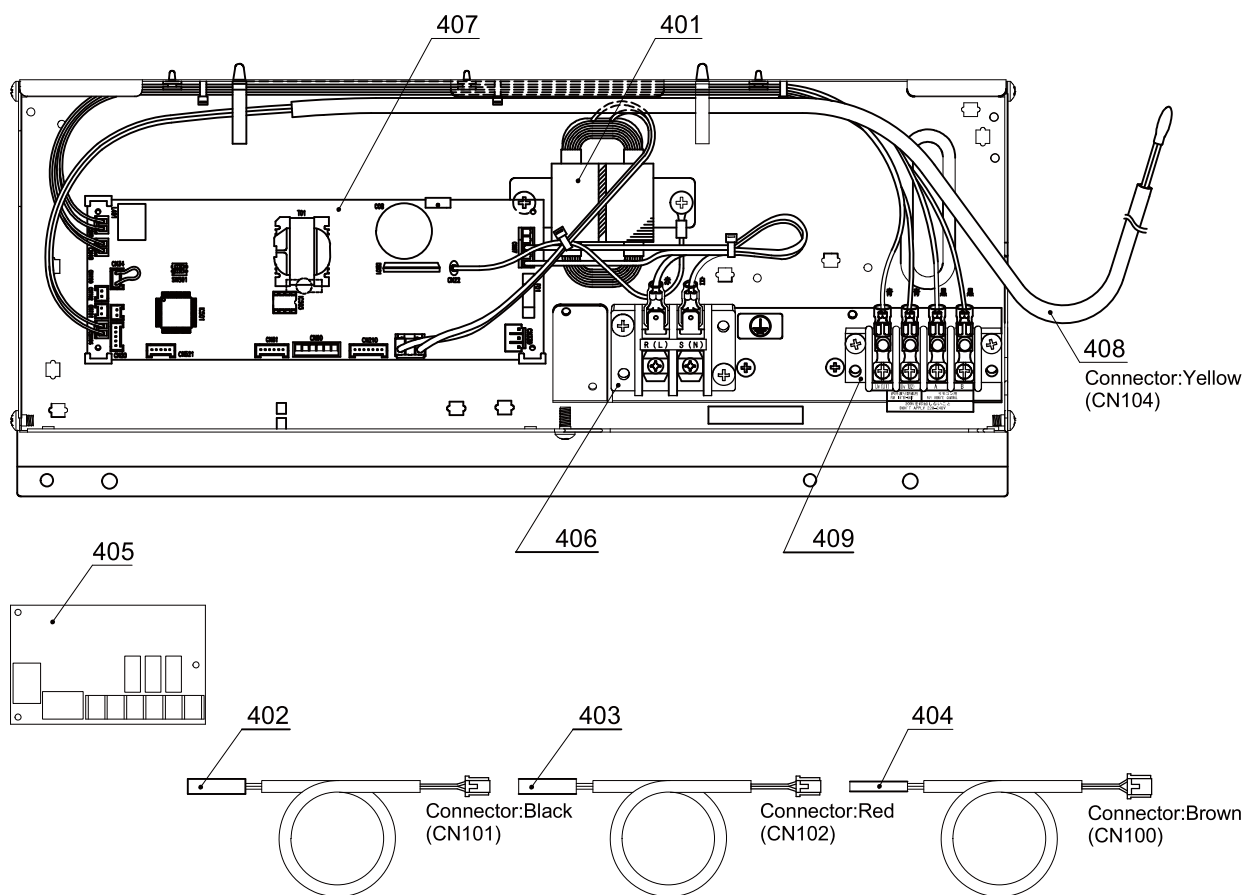
12-6. Floor Standing Type

MMF-UP0151H-E(TR), UP0181H-E(TR), UP0241H-E(TR), UP0271H-E(TR)



Location No.	Part No.	Description	Q'ty/Set		MMF-UP	
			0151H -E (TR)	0181H -E (TR)	0241H -E (TR)	0271H -E (TR)
201	43109392	GRILLE, INLET	2	2	2	2
202	43100388	CASE ASSY	1	1	1	1
203	43F2C076	MOTOR, LOUVER	1	1	1	1
204	4312C133	MOTOR, FAN, ICF-340D62-1	1	1	1	1
205	4314N205	COIL, PMV, PAM-MD12TF-301	1	1	1	1
206	4314N209	BODY, PMV, PAM-B40YGTF-2	1	1	1	1
207	43120271	FAN, MULTI BLADE	1	1	1	1
208	43180238	AIR FILTER	1	1	1	1
209	43109455	CLAMP, LOUVER	2	2	2	2
210	4310A186	CABINET ASSY, UPPER	1	1	1	1
211	43101357	PANEL, REMOTE CONTROLER	1	1	1	1
212	43101345	COVER, REMOTE CONTROLER	1	1	1	1
213	4314J410	EVAPORATOR ASSY	1	1		
214	4314J411	EVAPORATOR ASSY			1	1
215	4314J622	REFRIGERATION CYCLE ASSY	1	1		
216	4314J623	REFRIGERATION CYCLE ASSY			1	1
217	43F47685	NUT, FLARE, 9.52	1	1		
218	43149355	NUT, FLARE, 9.52			1	1
219	43049776	SOCKET, 9.52			1	1
220	43149351	SOCKET, 6.35	1	1		
221	43047688	NUT, FLARE, 12.7	1	1		
222	43149352	NUT, FLARE, 15.88			1	1
223	43149353	SOCKET, 12.7	1	1		
224	43149354	SOCKET, 15.88			1	1
225	43139093	CONNECTION ROD	5	5	5	5
226	3759V024	GRILLE ASSY	1	1	1	1
227	43109207	GRILLE, OUTLET, VERTICAL	4	4	4	4
228	43100373	CABINET, LOWER	1	1	1	1
229	4314Q161	DISTRIBUTOR ASSY	1	1		
230	4314Q162	DISTRIBUTOR ASSY			1	1
231	43107215	HOLDER, SENSOR	1	1	1	1
232	43F47609	BONNET, 9.52			1	1
233	43147195	BONNET, 12.7	1	1		
234	43194029	BONNET, 15.88			1	1
235	43F49697	BONNET, 6.35	1	1		
236	43172090	PAN, DRAIN	1	1	1	1
237	43197136	WASHER	1	1	1	1
238	43122193	LOUVER, HORIZONTAL	5	5	5	5
239	43F19904	HOLDER, SENSOR (TS)	2	2	2	2
240	43160700	CONNECTOR ASSY, PMV	1	1	1	1
241	43147664	STRAINER, ID 9.52	1	1	1	1
242	43166041	REMOTE CONTROLLER, WIRELESS, RBC-AXU31-E	1	1	1	1
245	43122194	CLAMP, LOUVER, CENTER	1	1	1	1
246	43122195	JOINT, LOUVER	1	1	1	1
247	43166042	REMOTE CONTROLLER, WIRED, RBC-AMSU51-EN	1	1	1	1
248	43166043	REMOTE CONTROLLER, WIRED, RBC-AMSU51-ES	1	1	1	1

Electric Parts



Location No.	Part No.	Description	Q'ty/Set
			MMF-UP0**1H-E(TR)
401	44258091	REACTOR, CH-49-Z-T	1
402	43150412	SENSOR, TC	1
403	43150362	SENSOR, TC	1
404	43150414	SENSOR, TEMP	1
405	43459017	PC BOARD ASSY, TCB-PCUC*E	1
406	43160626	TERMINAL BLOCK, 2P, 20A	1
407	4316V728	PC BOARD ASSY, MCC-1643	1
408	43150418	SENSOR, TA	1
409	43160694	TERMINAL, 4P	1