

TOSHIBA

AIR CONDITIONER (MULTI TYPE)

SERVICE MANUAL

Indoor unit

<4-way cassette type>

MMU-UP0091HP-E(TR)
 MMU-UP0121HP-E(TR)
 MMU-UP0151HP-E(TR)
 MMU-UP0181HP-E(TR)
 MMU-UP0241HP-E(TR)
 MMU-UP0271HP-E(TR)
 MMU-UP0301HP-E(TR)
 MMU-UP0361HP-E(TR)
 MMU-UP0481HP-E(TR)
 MMU-UP0561HP-E(TR)

<Ceiling type>

MMC-UP0151HP-E(TR)
 MMC-UP0181HP-E(TR)
 MMC-UP0241HP-E(TR)
 MMC-UP0271HP-E(TR)
 MMC-UP0361HP-E(TR)
 MMC-UP0481HP-E(TR)
 MMC-UP0561HP-E(TR)

<Concealed Duct Standard type>

MMD-UP0051BHP-E
 MMD-UP0071BHP-E(TR)
 MMD-UP0091BHP-E(TR)
 MMD-UP0121BHP-E(TR)
 MMD-UP0151BHP-E(TR)
 MMD-UP0181BHP-E(TR)
 MMD-UP0241BHP-E(TR)
 MMD-UP0271BHP-E(TR)
 MMD-UP0301BHP-E(TR)
 MMD-UP0361BHP-E(TR)
 MMD-UP0481BHP-E(TR)
 MMD-UP0561BHP-E(TR)

<Concealed Duct High Static Pressure type>

MMD-UP0181HP-E(TR)
 MMD-UP0241HP-E(TR)
 MMD-UP0271HP-E(TR)
 MMD-UP0361HP-E(TR)
 MMD-UP0481HP-E(TR)
 MMD-UP0561HP-E(TR)
 MMD-UP0721HP-E(TR)
 MMD-UP0961HP-E(TR)

<Concealed Duct High Static Pressure fresh air intake type>

MMD-UP0481HFP-E(TR)
 MMD-UP0721HFP-E(TR)
 MMD-UP0961HFP-E(TR)
 MMD-UP1121HFP-E(TR)
 MMD-UP1281HFP-E(TR)

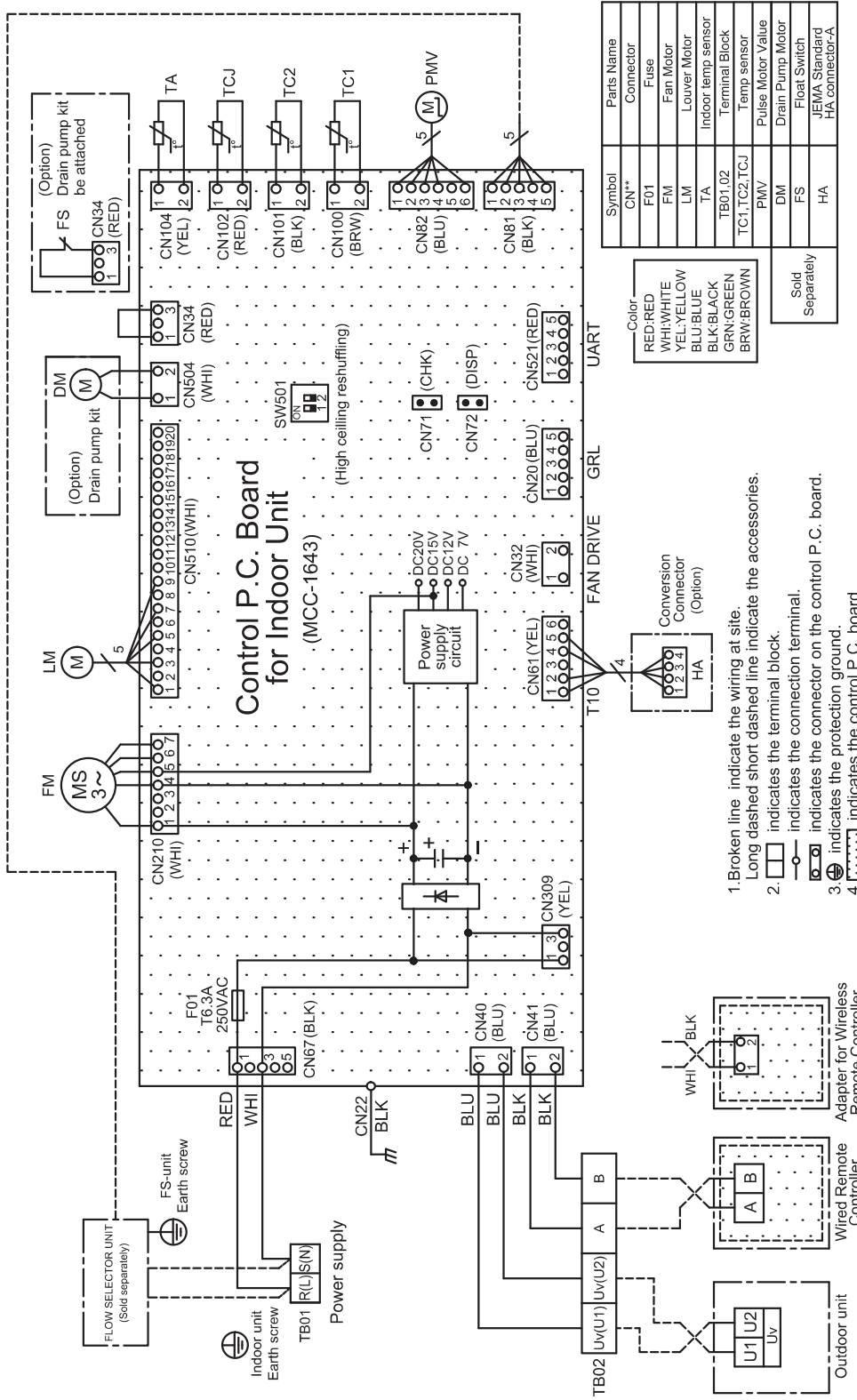
<Console type>

MML-UP0071NHP-E(TR)
 MML-UP0091NHP-E(TR)
 MML-UP0121NHP-E(TR)
 MML-UP0151NHP-E(TR)
 MML-UP0181NHP-E(TR)

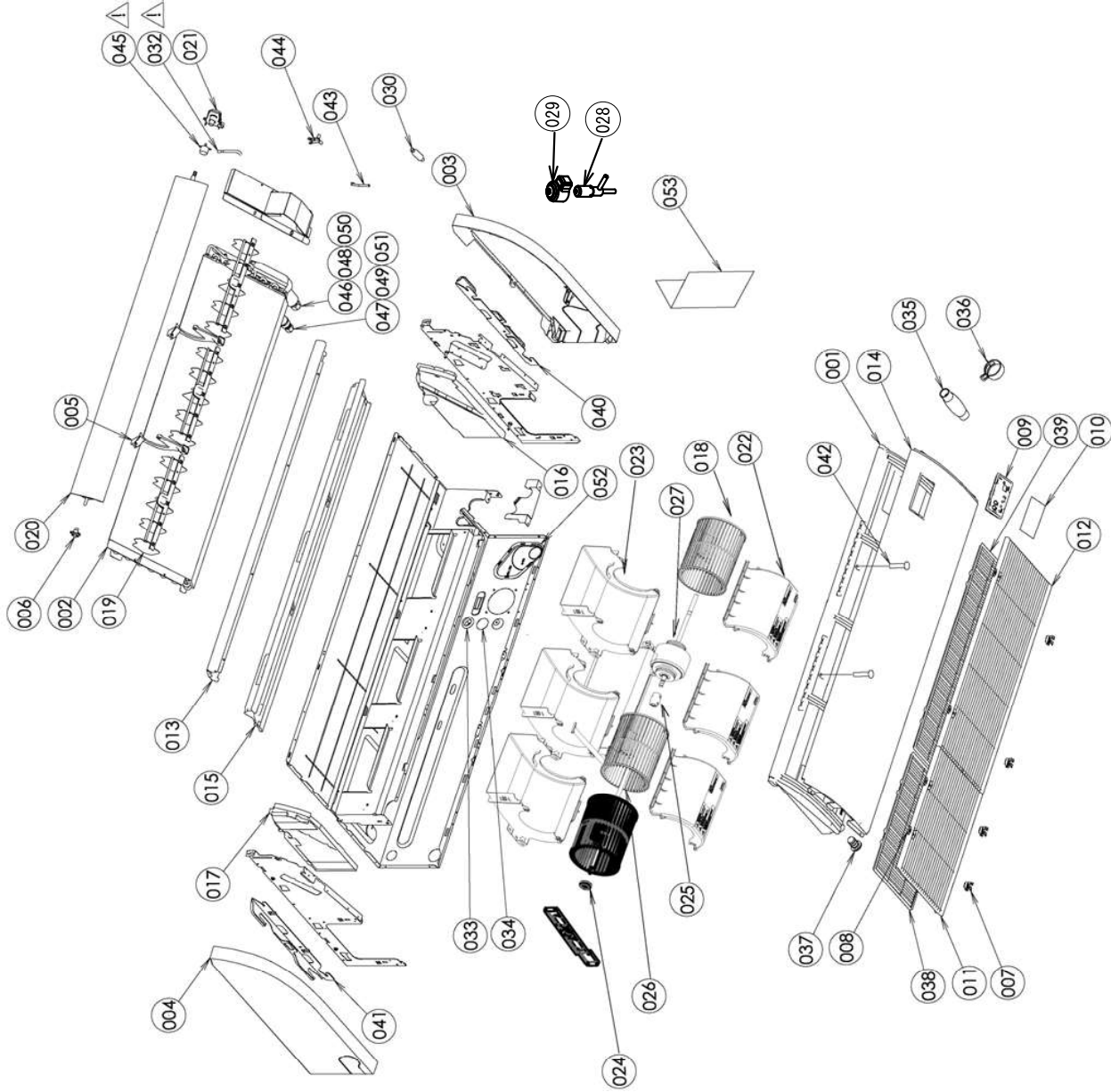
<High wall type>

MMK-UP0031HP-E(TR)
 MMK-UP0051HP-E(TR)
 MMK-UP0071HP-E(TR)
 MMK-UP0091HP-E(TR)
 MMK-UP0121HP-E(TR)
 MMK-UP0151HP-E(TR)
 MMK-UP0181HP-E(TR)
 MMK-UP0241HP-E(TR)
 MMK-UP0031HPL-E(TR)
 MMK-UP0051HPL-E(TR)
 MMK-UP0071HPL-E(TR)
 MMK-UP0091HPL-E(TR)
 MMK-UP0121HPL-E(TR)
 MMK-UP0151HPL-E(TR)
 MMK-UP0181HPL-E(TR)
 MMK-UP0241HPL-E(TR)

3-2. Ceiling type MMC-UP****HP-E(TR)

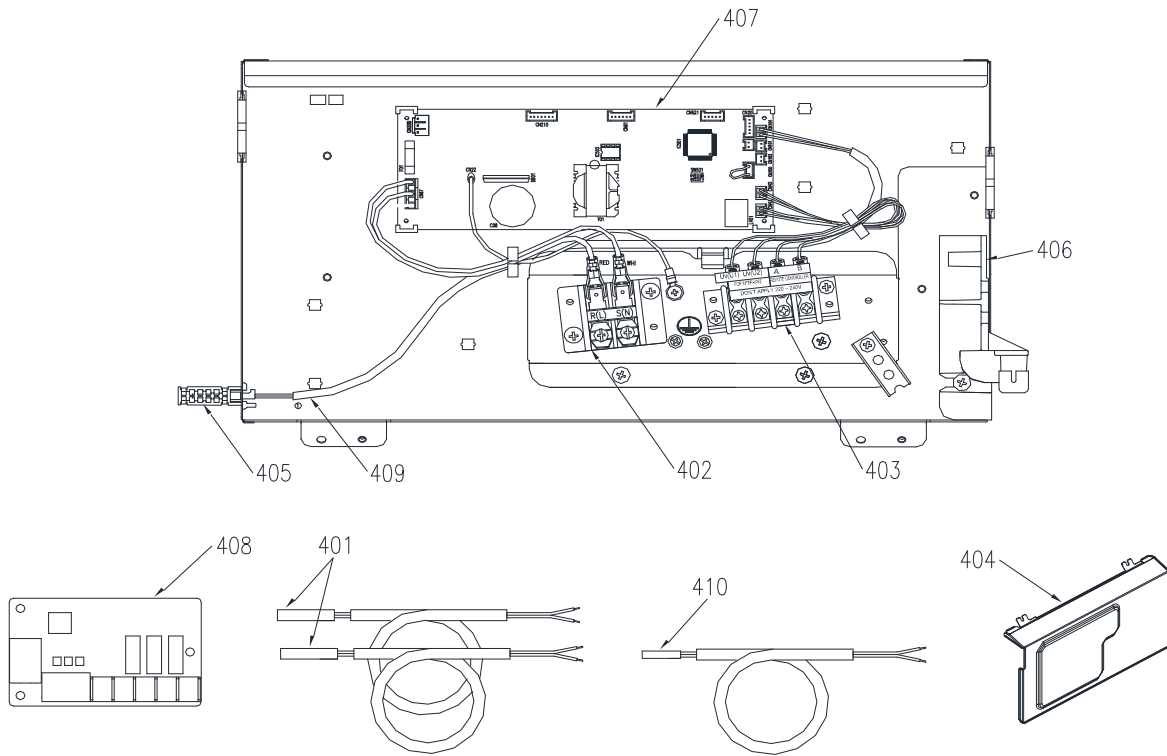


MMC-UP0241HP-E(TR), MMC-UP0271HP-E(TR)



| Location No. | Part No. | Description | Model name MMC-UP | |
|--------------|----------|--------------------------|----------------------|--------------|
| | | | 0241HP-E(TR) | 0271HP-E(TR) |
| 1 | 43T72315 | ASM-SUB-PAN-DR | 1 | 1 |
| 2 | 43T44703 | REFRIGERATION CYCLE ASSY | 1 | 1 |
| 3 | 43T02301 | ASM-P-SIDE-R | 1 | 1 |
| 4 | 43T02302 | ASM-P-SIDE-L | 1 | 1 |
| 5 | 43T07313 | ASM-SUP-FLAP | 2 | 2 |
| 6 | 43T07314 | SUP-SHAFT | 1 | 1 |
| 7 | 43T07315 | HINGE-GRILLE | 4 | 4 |
| 8 | 43T07316 | HOOK-GRILLE | 4 | 4 |
| 9 | 43T08420 | LED-BASE | 1 | 1 |
| 10 | 43T08421 | PANEL-LED | 1 | 1 |
| 11 | 43T09493 | SUCTION-GRILLE | 1 | 1 |
| 12 | 43T09494 | SUCTION-GRILLE | 1 | 1 |
| 13 | 43T00639 | ASM-COAT-P-UP | 1 | 1 |
| 14 | 43T00642 | ASM-COAT-P-UD | 1 | 1 |
| 15 | 43T11327 | ASM-FORM-UP | 1 | 1 |
| 16 | 43T11329 | ASM-FORM | 1 | 1 |
| 17 | 43T11330 | ASM-FORM | 1 | 1 |
| 18 | 43T20338 | ASM-FAN-MLB | 3 | 3 |
| 19 | 43T22329 | ASM-S-V-LOUVER | 3 | 3 |
| 20 | 43T22331 | ASM-FLAP | 1 | 1 |
| 21 | 43T22333 | ASM-GEAR-FLAP | 1 | 1 |
| 22 | 43T22327 | ASM-FAN-CASE-D | 3 | 3 |
| 23 | 43T22328 | ASM-FAN-CASE-U | 3 | 3 |
| 24 | 43T22312 | BEARING ASSY, MOLD | 1 | 1 |
| 25 | 43T22324 | COUPLING | 1 | 1 |
| 26 | 43T22350 | SHAFT | 1 | 1 |
| 27 | 43T21444 | MOTOR-FAN | 1 | 1 |
| 28 | 43T46518 | BODY, PMV | 1 | 1 |
| 29 | 43T46515 | COIL, PMV | 1 | 1 |
| 30 | 43T47386 | STRAINER | 1 | 1 |
| 32 | 43T60446 | LEAD-MOT | 1 | 1 |
| 33 | 43T62349 | GROMMET | 1 | 1 |
| 34 | 43T62350 | GROMMET | 1 | 1 |
| 35 | 43T70317 | ASM-HOSE | 1 | 1 |
| 36 | 43T83313 | HOSE-BAND | 2 | 2 |
| 37 | 43T79320 | CAP-DRAIN | 1 | 1 |
| 38 | 43T80338 | AIR FILTER | 1 | 1 |
| 39 | 43T80339 | AIR FILTER | 1 | 1 |
| 40 | 43T81304 | HANGER-R | 1 | 1 |
| 41 | 43T81305 | HANGER-L | 1 | 1 |
| 42 | 43T97318 | SCREW-DR | 2 | 2 |
| 43 | 43T19333 | HOLDER, SENSOR | 2 | 2 |
| 44 | 43T19321 | FIX-P-SENSOR | 1 | 1 |
| 45 | 43T21397 | STEPPING-MOTOR | 1 | 1 |
| 46 | 43T47334 | BONNET; 15.88 DIA. | 1 | 1 |
| 47 | 43T47332 | BONNET, 9.52 DIA | 1 | 1 |
| 48 | 43T82321 | SOCKET | 1 | 1 |
| 49 | 43T82318 | SOCKET | 1 | 1 |
| 50 | 43T97314 | NUT, FLARE, 5/8 IN | 1 | 1 |
| 51 | 43T97312 | NUT, FLARE, 3/8 IN | 1 | 1 |
| 52 | 43T49364 | COV-FRAME-MAIN | 1 | 1 |
| 53 | 43T85809 | INSTALLATION MANUAL | 1 | 1 |

Electric Parts



| Location No. | Part No. | Description | Model name | | | | | MMC-UP | |
|--------------|----------|----------------------|------------------|------------------|------------------|------------------|------------------|------------------|------------------|
| | | | 0151 HP-E(TR) | 0181 HP-E(TR) | 0241 HP-E(TR) | 0271 HP-E(TR) | 0361 HP-E(TR) | 0481 HP-E(TR) | 0561 HP-E(TR) |
| 401 | 43T50347 | SENSOR ASSY, SERVICE | 2 | 2 | 2 | 2 | 2 | 2 | 2 |
| 402 | 43T60435 | SERV-TERMINAL | 1 | 1 | 1 | 1 | 1 | 1 | 1 |
| 403 | 43T60362 | TERMINAL | 1 | 1 | 1 | 1 | 1 | 1 | 1 |
| 404 | 43T62348 | COVER-E-BOX | 1 | 1 | 1 | 1 | 1 | 1 | 1 |
| 405 | 43T50351 | HOLDER-TA | 1 | 1 | 1 | 1 | 1 | 1 | 1 |
| 406 | 43T61317 | BASE-CLAMP | 1 | 1 | 1 | 1 | 1 | 1 | 1 |
| 407 | 43T6W951 | PC BOARD ASSY | 1 | 1 | 1 | 1 | 1 | 1 | 1 |
| 408 | 43459017 | ASM-PCB(OP) | 1 | 1 | 1 | 1 | 1 | 1 | 1 |
| 409 | 43T50476 | SERVICE-SENSOR | 1 | 1 | 1 | 1 | 1 | 1 | 1 |
| 410 | 43T50477 | TC-SENSOR (TC1) | 1 | 1 | 1 | 1 | 1 | 1 | 1 |