

SERVICE MANUAL AIR-CONDITIONER (MULTI TYPE)

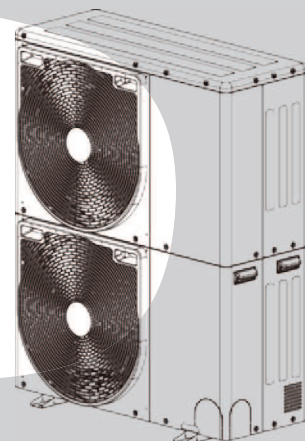
OUTDOOR UNIT

Model name:

MCY-MHP0404HS8(J)-E/0504HS8(J)-E/0604HS8(J)-E
 MCY-MHP0404HS8(J)-TR/0504HS8(J)-TR/0604HS8(J)-TR
 MCY-MHP0404HS8(J)/0504HS8(J)/0604HS8(J)
 MCY-MHP0404HS8-ID/0504HS8-ID/0604HS8-ID
 MCY-MHP0404HS8-A/0504HS8-A/0604HS8-A

This service manual provides relevant explanations about new outdoor unit.
 Please refer to the following service manuals for each indoor units.

	Service Manual No.
<4-way Cassette Type> (MMU-AP****H) (MMU-AP***4HP*) (Made in Thailand model)	A08-004 SVM-13011
<2-way Cassette Type> (MMU-AP****WH*)	A10-007
<Concealed Duct Standard Type> (MMD-AP***6BHP*) (Made in Thailand model)	SVM-14069
<Slim Duct Type> (MMD-AP024, A0274SPH*)	A12-005
<Concealed Duct High Static Pressure Type> (MMD-AP***6HP*) (Made in Thailand model)	SVM-15032
<High-wall Type> (MMK-AP***4MH*) (Made in Thailand model) (MMK-AP***3H*) (Made in Thailand model)	SVM-09059 A10-034
<Console Type> (MML-AP****NH*) (Made in Thailand model)	SVM-11036
<Ceiling Type> (MMC-AP***7HP*) (Made in Thailand model)	SVM-13085
<Floor Standing Type> (MMF-AP***6H*)	A10-1420
<Other indoor units> (MM*-AP****H*)	A10-033

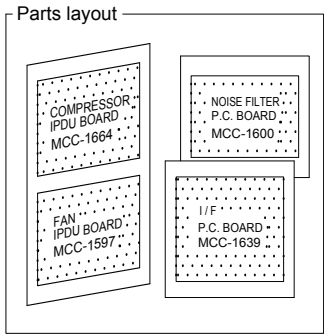


3 Wiring diagram ("MCY-MHP***HS8-A" model is excluded.)

MCY-MHP0404HS8(J)-E/0504HS8(J)-E/0604HS8(J)-E
 MCY-MHP0404HS8(J)-TR/0504HS8(J)-TR/0604HS8(J)-TR
 MCY-MHP0404HS8(J)/0504HS8(J)/0604HS8(J)
 MCY-MHP0404HS8-ID/0504HS8-ID/0604HS8-ID

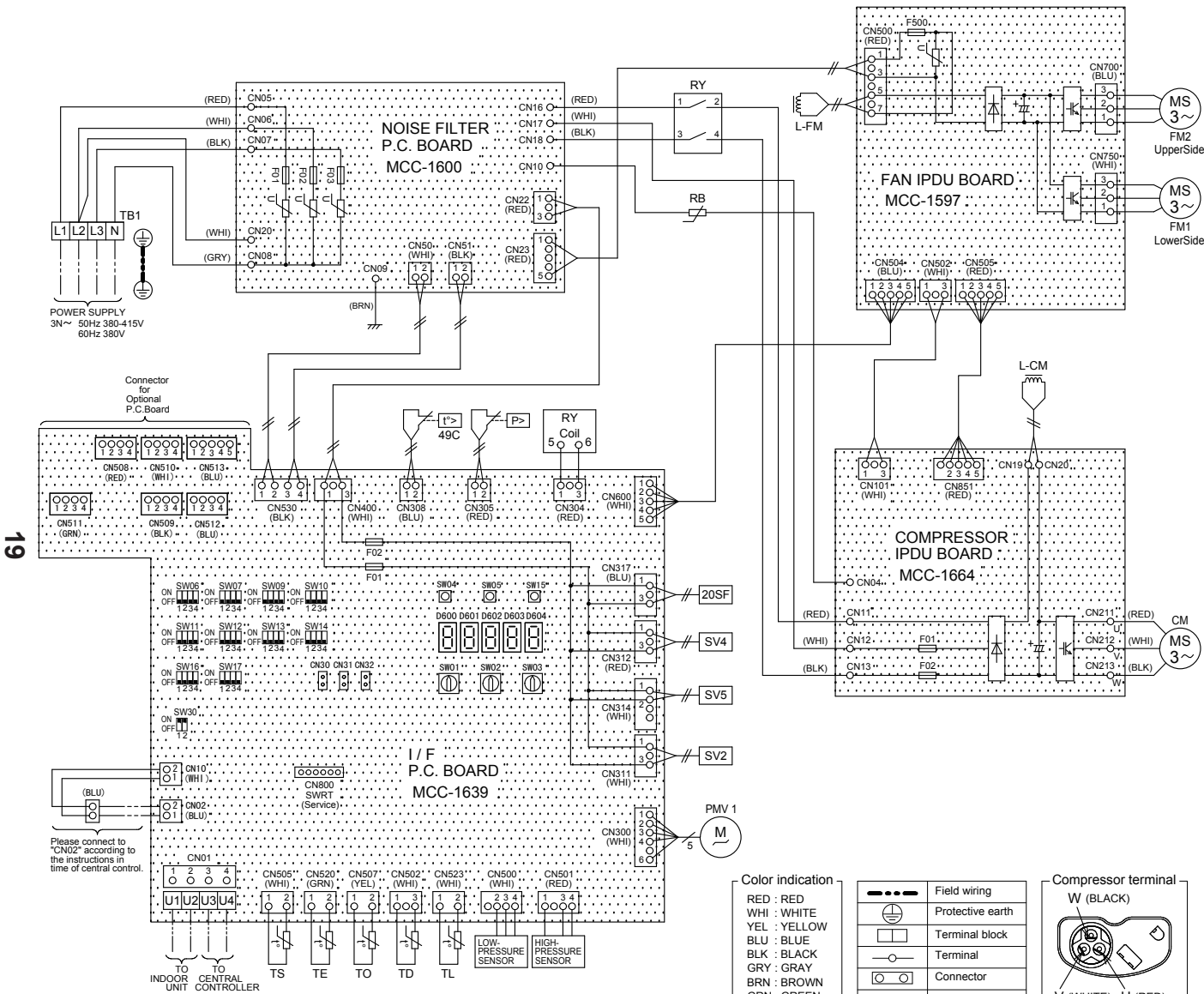
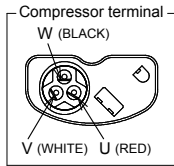
P.C. Board	
Symbol	Parts name
MCC-1664	COMPRESSOR IPDU BOARD
MCC-1639	I/F P.C. BOARD
MCC-1600	NOISE FILTER P.C. BOARD
MCC-1597	FAN IPDU BOARD

Parts name	
Symbol	Parts name
20SF	4-way valve coil
49C	Compressor thermo.
CM	Compressor
CN***	Connector
(MCC-1664)	Fuse (Compressor)
F01, F02	31.5A 500V~
(MCC-1639)	Fuse (Interface)
F01, F02	T6.3A 250V~
(MCC-1600)	Fuse (Noise filter)
F01, F02, F03	T6.3A 250V~
(MCC-1597)	Fuse (Fan)
F500	15A 250V~
FM	Fan motor
L-CM	Reactor for compressor (CH-79)
L-FM	Reactor for fan (CH-68)
P>	High-pressure switch
RY	Power Relay
PMV1	Pulse motor valve (main)
RB	Rush current protect resistor
SV2, SV4, SV5	2-way valve coil
SW01	Rotary switch
SW02	
SW03	
SW04	
SW05	
SW15	
SW06, SW07,	
SW09, SW10,	
SW11, SW12,	
SW13, SW14,	
SW16, SW17,	
SW30	
SW06, SW07,	Dip switch
SW09, SW10,	
SW11, SW12,	
SW13, SW14,	
SW16, SW17,	
SW30	
TB1	Terminal block (power supply)
TD	Pipe temp. sensor (discharge)
TE	Heat exchange temp. sensor
TL	Liquid temp. sensor
TO	Air temp. sensor
TS	Pipe temp. sensor (suction)

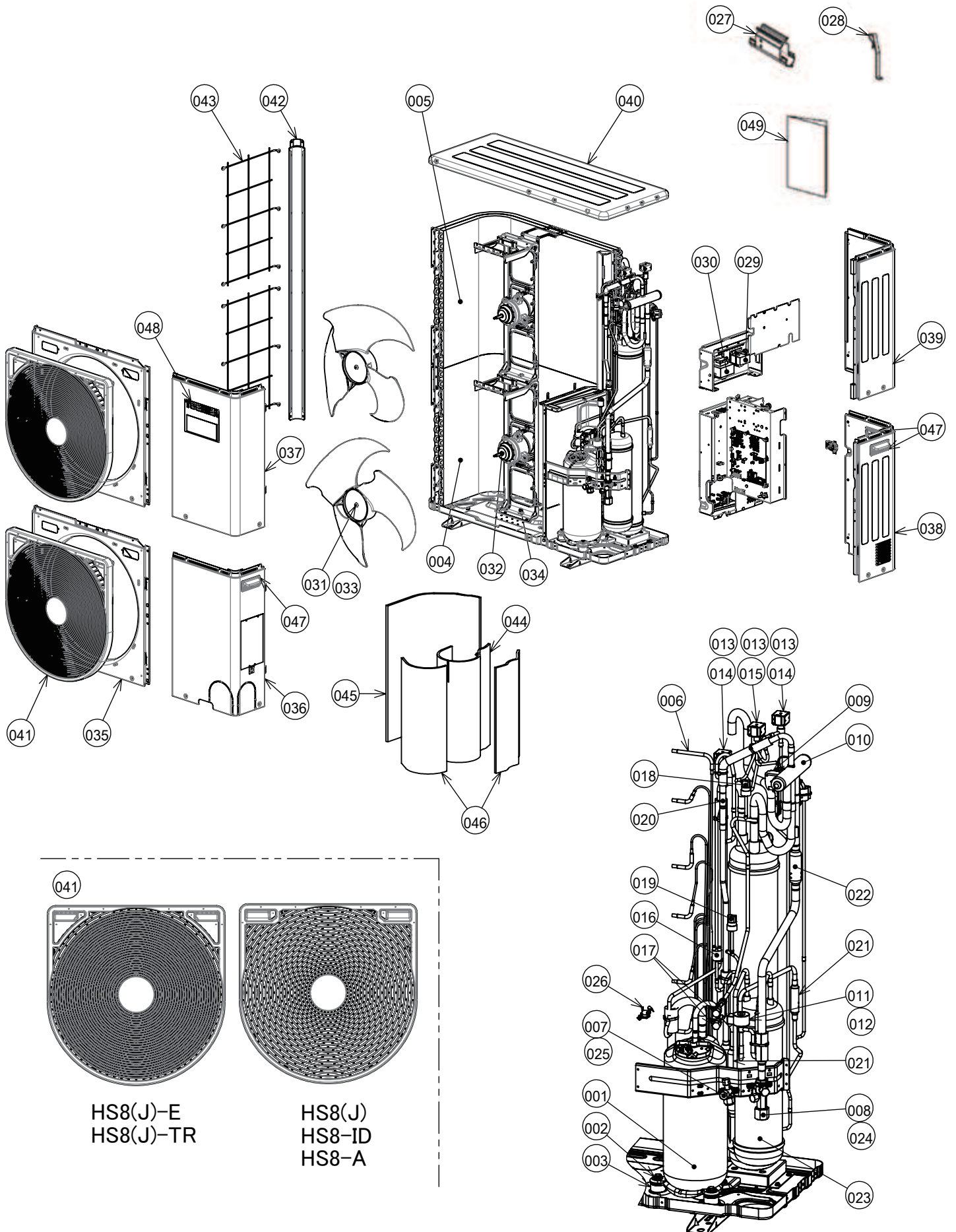


Color indication	
RED	: RED
WHI	: WHITE
YEL	: YELLOW
BLU	: BLUE
BLK	: BLACK
GRY	: GRAY
BRN	: BROWN
GRN	: GREEN

	Field wiring
	Protective earth
	Terminal block
	Terminal
	Connector
	P.C. board

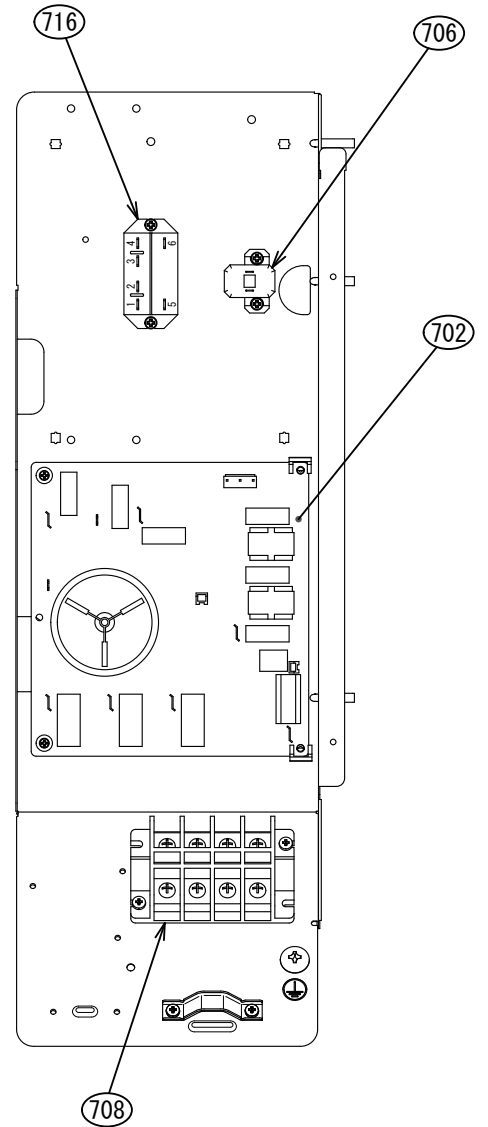
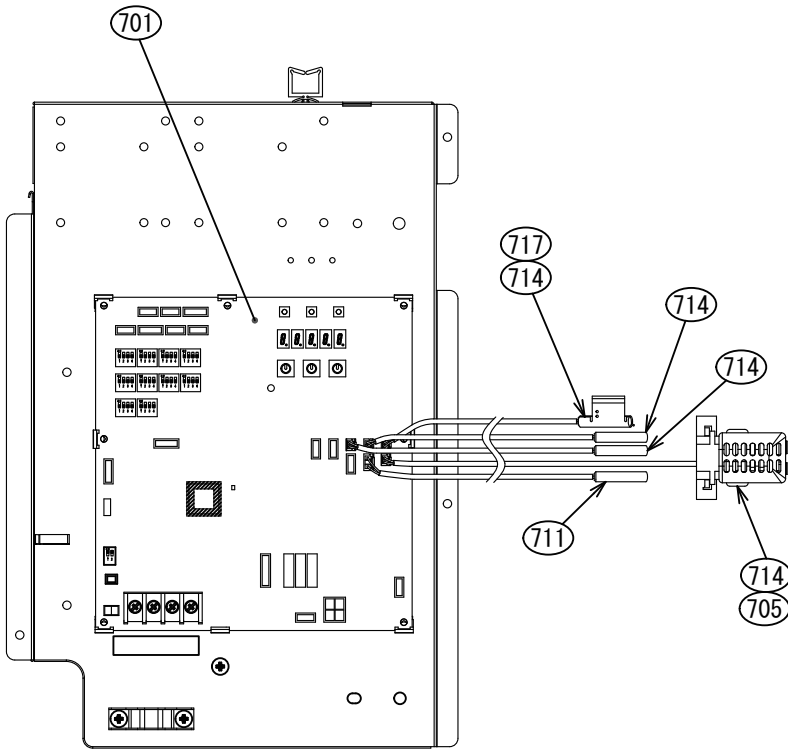
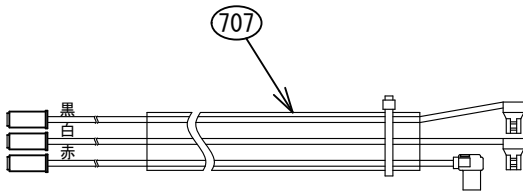
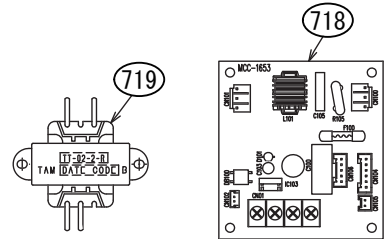
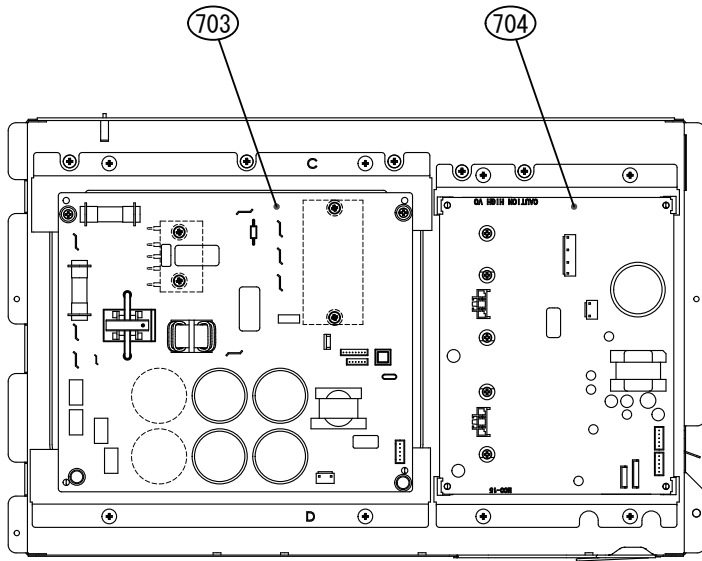


12 Exploded diagram / parts list



Ref.No.	Part No.	Description	Q'ty/Set MCY-MHP			
			0404HS8-E	0404HS8J-E	0404HS8-TR	0404HS8J-TR
			0504HS8-E	0504HS8J-E	0504HS8-TR	0504HS8J-TR
001	43H41501	COMPRESSOR, RA422A3T-20MD	1	1	1	1
002	43H97003	BOLT, COMPRESSOR	3	3	3	3
003	43H42002	RUBBER, CUSHION	3	3	3	3
004	43H43014	CONDENSER ASSY, LOWER	1	1	1	1
005	43H43015	CONDENSER ASSY, UP	1	1	1	1
006	43H47020	DISTRIBUTOR ASSY	1	1	1	1
007	43H46027	VALVE, PACKED, 9.52DIA	1	1	1	1
008	43H46028	VALVE, BALL, 15.88DIA	1	1	1	1
009	43H46014	COIL, 4WAY	1	1	1	1
010	43H46042	VALVE, 4WAY	1	1	1	1
011	43H46048	COIL, PMV	1	1	1	1
012	43H46049	BODY, PMV	1	1	1	1
013	43H46016	COIL, 2WAY	3	3	3	3
014	43H46017	VALVE, 2WAY, FDF3A06	2	2	2	2
015	43H46018	VALVE, 2WAY, FDF2A88	1	1	1	1
016	43H51001	SWITCH, PRESSURE ACB-4UB32W	1	1	1	1
017	43H46019	JOINT, CHECK	2	2	2	2
018	43151313	SENSOR ASSY, LOW PRESSURE	1	1	1	1
019	43151314	SENSOR ASSY, HIGH PRESSURE	1	1	1	1
020	43H46035	VALVE, CHECK	1	1	1	1
021	43H47003	STRAINER, 19.05DIA	2	2	2	2
022	43H47014	STRAINER, 15.88DIA	1	1	1	1
023	43H48014	TANK	1	1	1	1
024	43H47017	BONNET, 5/8 IN	1	1	1	1
025	43H47016	BONNET, 3/8 IN	1	1	1	1
026	43H50013	THERMOSTAT, COMPRESSOR	1	1	1	1
027	43H63003	HOLDER, SENSOR	1	1	1	1
028	43H19010	HOLDER, SENSOR (TS)	3	3	3	3
029	43H58003	REACTOR, CH-68-FC	1	1	1	1
030	43H58007	REACTOR, CH-79	1	1	1	1
031	43H97006	NUT, FLANGE	2	2	2	2
032	43H21003	MOTOR, FAN, WDF-340-A100-1	2	2	2	2
033	43H20003	FAN, PROPELLER, PN501	2	2	2	2
034	43H22002	BASE, ASSY, MOTOR	2	2	2	2
035	43H00017	PANEL, ASSY, OUT	2	2	2	2
036	43H00018	PANEL, ASSY, FRONT, LOWER	1	1	1	1
037	43H00019	PANEL, ASSY, FRONT UP	1	1	1	1
038	43H02003	PANEL, ASSY, SIDE, LOWER	1	1	1	1
039	43H02004	PANEL, ASSY, SIDE, UP	1	1	1	1
040	43H00020	PANEL, ASSY, TOP	1	1	1	1
041	43H19014	GUARD, FAN	2	2	2	2
042	43H19012	PLATE, STAY	1	1	1	1
043	43H07004	GUARD, FIN, SIDE	2	2	2	2
044	43H11006	INSULATOR, SOUND, INNER	1	1	1	1
045	43H11007	INSULATOR, SOUND, OUTER, LARGE	1	1	1	1
046	43H11008	INSULATOR, SOUND, OUTER, SMALL	2	2	2	2
047	43H07005	HANDLE	3	3	3	3
048	43H15004	MARK, TOSHIBA, MiNi-SMMS	1	1	1	1
049	43H88016	OWNER'S MANUAL, MCY-MHP604HS8-E	1	1		
	43H88017	OWNER'S MANUAL, MCY-MHP604HS8-TR			1	1

Inverter assembly



Ref.No.	Part No.	Description	Q'ty/Set MCY-MHP			
			0404HS8-E	0404HS8J-E	0404HS8-TR	0404HS8J-TR
			0504HS8-E	0504HS8J-E	0504HS8-TR	0504HS8J-TR
			0604HS8-E	0604HS8J-E	0604HS8-TR	0604HS8J-TR
701	43H69027	PC BOARD ASSY, INTERFACE, MCC-1639	1	1	1	1
702	43H69028	PC BOARD ASSY, NOISE-FILTER, MCC-1600	1	1	1	1
703	43H69029	PC BOARD ASSY, COMP-IPDU, MCC-1664	1	1	1	1
704	43H69030	PC BOARD ASSY, FAN-IPDU, MCC-1597	1	1	1	1
705	43H50001	HOLDER SENSOR (TO)	1	1	1	1
706	43H53001	THERMISTOR, PTC	1	1	1	1
707	43H60008	LEAD ASSY, COMPRESSOR	1	1	1	1
708	43H60002	TERMINAL, 4P(AC600V/75A)	1	1	1	1
711	43H50002	SENSOR, TD	1	1	1	1
714	43H50005	SENSOR	4	4	4	4
716	43H52003	REALY,POWER(EL2U)	1	1	1	1
717	43H50026	SENSOR HOLDER (TE)	1	1	1	1

Ref.No.	Part No.	Description	Q'ty/Set MCY-MHP			
			0404HS8	0404HS8J	0404HS8-ID	0404HS8-A
			0504HS8	0504HS8J	0504HS8-ID	0504HS8-A
			0604HS8	0604HS8J	0604HS8-ID	0604HS8-A
701	43H69027	PC BOARD ASSY, INTERFACE, MCC-1639	1	1	1	1
702	43H69028	PC BOARD ASSY, NOISE-FILTER, MCC-1600	1	1	1	
	43H69031					1
703	43H69029	PC BOARD ASSY, COMP-IPDU, MCC-1664	1	1	1	1
704	43H69030	PC BOARD ASSY, FAN-IPDU, MCC-1597	1	1	1	1
705	43H50001	HOLDER SENSOR (TO)	1	1	1	1
706	43H53001	THERMISTOR, PTC	1	1	1	1
707	43H60008	LEAD ASSY, COMPRESSOR	1	1	1	1
708	43H60002	TERMINAL, 4P(AC600V/75A)	1	1	1	1
711	43H50002	SENSOR, TD	1	1	1	1
714	43H50005	SENSOR	4	4	4	4
716	43H52003	REALY,POWER(EL2U)	1	1	1	1
717	43H50026	SENSOR HOLDER (TE)	1	1	1	1
718	4316V537	PC BOARD ASSY, MCC-1653				1
719	43158234	TRANSFORMER, POWER, TT-02				1