

TOSHIBA

AIR CONDITIONER (MULTI TYPE)

SERVICE MANUAL

Indoor unit

<4-way cassette type>

MMU-UP0091HP-E(TR)
 MMU-UP0121HP-E(TR)
 MMU-UP0151HP-E(TR)
 MMU-UP0181HP-E(TR)
 MMU-UP0241HP-E(TR)
 MMU-UP0271HP-E(TR)
 MMU-UP0301HP-E(TR)
 MMU-UP0361HP-E(TR)
 MMU-UP0481HP-E(TR)
 MMU-UP0561HP-E(TR)

<Ceiling type>

MMC-UP0151HP-E(TR)
 MMC-UP0181HP-E(TR)
 MMC-UP0241HP-E(TR)
 MMC-UP0271HP-E(TR)
 MMC-UP0361HP-E(TR)
 MMC-UP0481HP-E(TR)
 MMC-UP0561HP-E(TR)

<Concealed Duct Standard type>

MMD-UP0051BHP-E
 MMD-UP0071BHP-E(TR)
 MMD-UP0091BHP-E(TR)
 MMD-UP0121BHP-E(TR)
 MMD-UP0151BHP-E(TR)
 MMD-UP0181BHP-E(TR)
 MMD-UP0241BHP-E(TR)
 MMD-UP0271BHP-E(TR)
 MMD-UP0301BHP-E(TR)
 MMD-UP0361BHP-E(TR)
 MMD-UP0481BHP-E(TR)
 MMD-UP0561BHP-E(TR)

<Concealed Duct High Static Pressure type>

MMD-UP0181HP-E(TR)
 MMD-UP0241HP-E(TR)
 MMD-UP0271HP-E(TR)
 MMD-UP0361HP-E(TR)
 MMD-UP0481HP-E(TR)
 MMD-UP0561HP-E(TR)
 MMD-UP0721HP-E(TR)
 MMD-UP0961HP-E(TR)

<Concealed Duct High Static Pressure fresh air intake type>

MMD-UP0481HFP-E(TR)
 MMD-UP0721HFP-E(TR)
 MMD-UP0961HFP-E(TR)
 MMD-UP1121HFP-E(TR)
 MMD-UP1281HFP-E(TR)

<Console type>

MML-UP0071NHP-E(TR)
 MML-UP0091NHP-E(TR)
 MML-UP0121NHP-E(TR)
 MML-UP0151NHP-E(TR)
 MML-UP0181NHP-E(TR)

<High wall type>

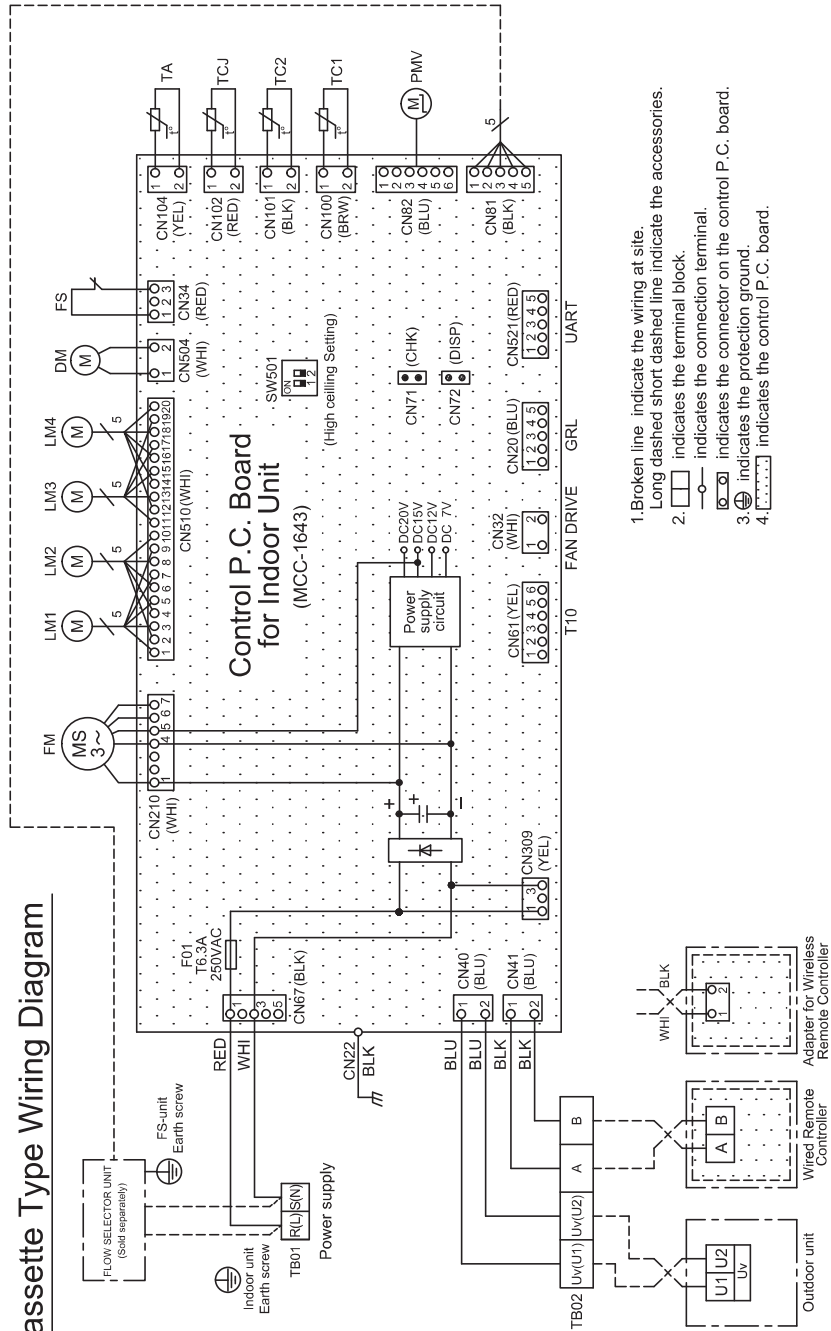
MMK-UP0031HP-E(TR)
 MMK-UP0051HP-E(TR)
 MMK-UP0071HP-E(TR)
 MMK-UP0091HP-E(TR)
 MMK-UP0121HP-E(TR)
 MMK-UP0151HP-E(TR)
 MMK-UP0181HP-E(TR)
 MMK-UP0241HP-E(TR)
 MMK-UP0031HPL-E(TR)
 MMK-UP0051HPL-E(TR)
 MMK-UP0071HPL-E(TR)
 MMK-UP0091HPL-E(TR)
 MMK-UP0121HPL-E(TR)
 MMK-UP0151HPL-E(TR)
 MMK-UP0181HPL-E(TR)
 MMK-UP0241HPL-E(TR)

3. WIRING DIAGRAMS

3-1. 4-way cassette type

MMU-UP****HP-E(TR)

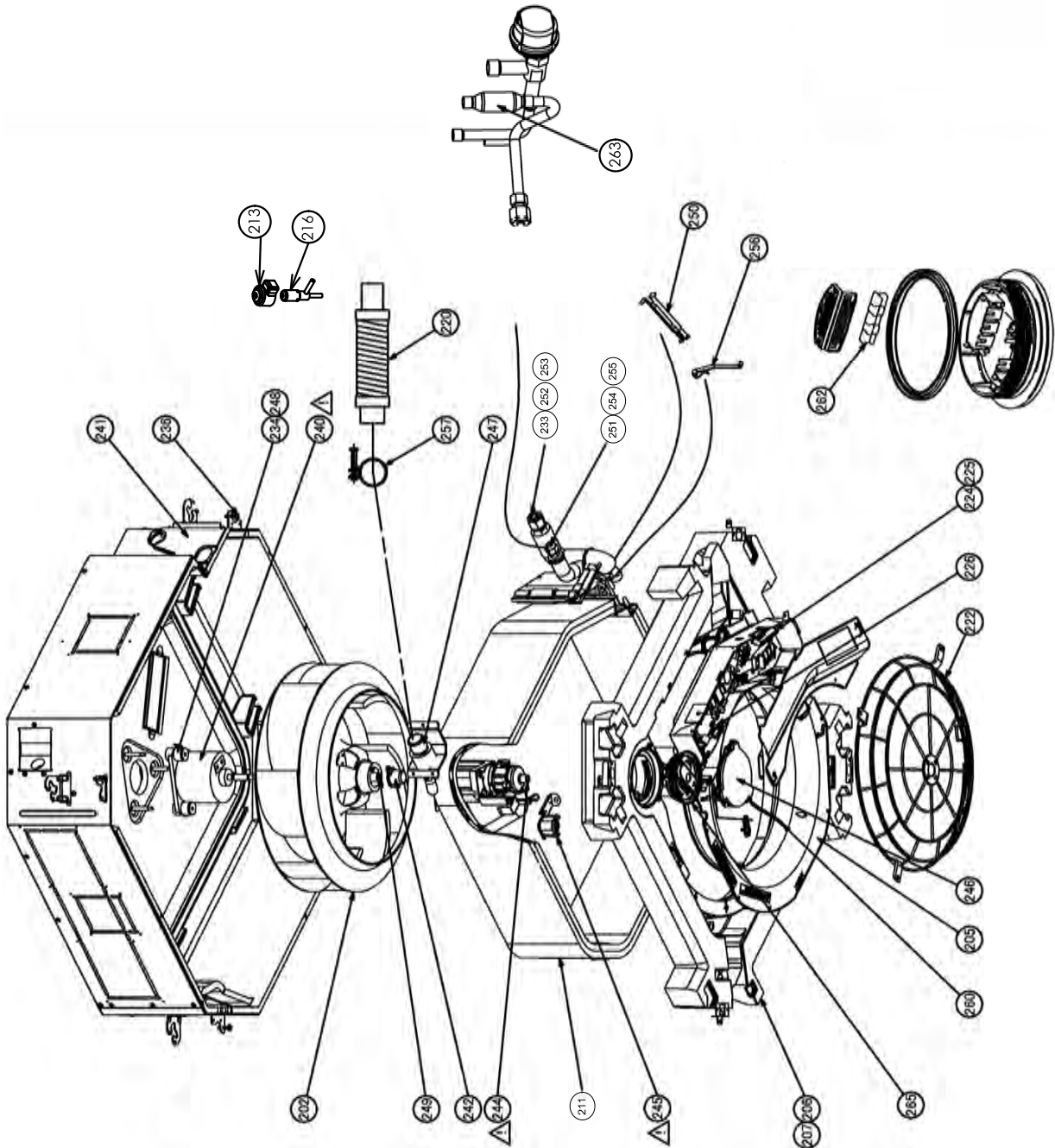
4-Way Cassette Type Wiring Diagram



Color
RED:RED
WHI:WHITE
YEL:YELLOW
BLU:BLUE
BLK:BLACK
GRN:GREEN
BRW:BROWN

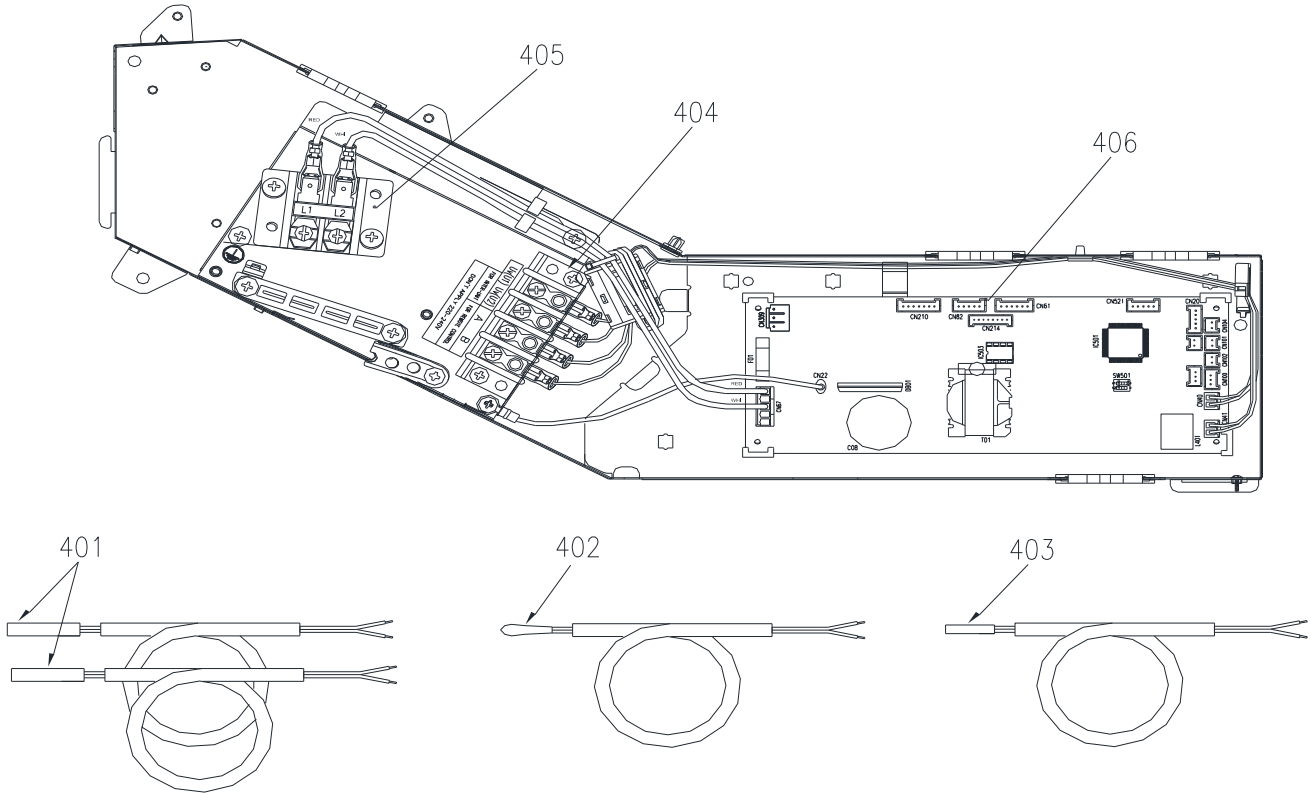
Symbol	Parts Name
CN**	Connector
F01	Fuse
FM	Fan Motor
LM1,2,3,4	Louver Motor
TA	Indoor temp sensor
TB01,02	Terminal Block
TC1, TC2, TCJ	Temp sensor
PMV	Pulse Motor Value
DM	Drain Pump Motor
FS	Fleet Switch

1. Broken line indicate the wiring at site.
Long dashed short dashed line indicate the accessories.
2. indicates the terminal block.
 indicates the connector terminal.
3. indicates the connector on the control P.C. board.
4. indicates the control P.C. board.



Location No.	Part No.	Description	Model name MMU-UP		
			0241HP-E(TR)	0271HP-E(TR)	0301HP-E(TR)
202	43T20335	FAN,ASSY TURB	1	1	1
205	43T22322	BELL MOUTH	1	1	1
206	43T72320	PAN ASSY, DRAIN	1	1	1
211	43T44707	REFRIGERATION CYCLE ASSY	1	1	1
213	43T46515	COIL, PMV	1	1	1
216	43T46518	BODY, PMV	1	1	1
220	43T70326	HOSE, DRAIN	1	1	1
222	43T19357	GUARD,FAN	1	1	1
224	43T63348	CLAMP, DOWN	1	1	1
225	43T63349	CLAMP, UP	1	1	1
226	43T63347	CLAMP, WIRE	4	4	4
228	43T82318	SOCKET	1	1	1
231	43T97314	NUT, FLARE, 5/8 IN	1	1	1
233	43T82321	SOCKET	1	1	1
234	43T11323	RUBBER,CUSHION	3	3	3
236	43T97315	SCREW, FIX PANEL	4	4	4
240	43T21485	FAN MOTOR WIRING ASSEMBLY	1	1	1
241	43T04318	COVER ASSY	1	1	1
242	43T39353	CAP,NUT	1	1	1
244	43T77301	PUMP ASSY	1	1	1
245	43T51314	SWITCH ASSY FLOAT	1	1	1
246	43T79319	LID ASSY, OUTSIDE	1	1	1
247	43T71303	SOCKET, ASSY DRAIN	1	1	1
248	43T97310	WASHER	3	3	3
249	43T97001	NUT	1	1	1
250	43T19321	FIX-P-SENSOR	1	1	1
251	43T47332	BONNET, 9.52 DIA	1	1	1
253	43T47334	BONNET; 15.88 DIA.	1	1	1
254	43T97312	NUT, FLARE, 3/8 IN	1	1	1
256	43T19333	HOLDER, SENSOR	2	2	2
257	43T83311	BAND, HOSE	1	1	1
260	43T83312	STRING	1	1	1
262	43T79318	GLASS	1	1	1
263	43T47386	STRAINER	1	1	1
265	43T79317	LID ASSY, INSIDE	1	1	1
266	43T39405	BAND-FIX-EVA	2	2	2
268	43T39407	BAND-FIX-EVA	1	1	1

Electric Parts



Location No.	Part No.	Description	Model name MMU-UP									
			0091 HP-E(TR)	0121 HP-E(TR)	0151 HP-E(TR)	0181 HP-E(TR)	0241 HP-E(TR)	0271 HP-E(TR)	0301 HP-E(TR)	0361 HP-E(TR)	0481 HP-E(TR)	0561 HP-E(TR)
401	43T50347	SENSOR ASSY, SERVICE	2	2	2	2	2	2	2	2	2	2
402	43T50476	SERVICE-SENSOR	1	1	1	1	1	1	1	1	1	1
403	43T50477	TC-SENSOR (TC1)	1	1	1	1	1	1	1	1	1	1
404	43T60362	TERMINAL	1	1	1	1	1	1	1	1	1	1
405	43T60435	SERV-TERMINAL	1	1	1	1	1	1	1	1	1	1
406	43T6W845	PC BOARD ASSY	1	1	1	1	1	1	1	1	1	1