

TOSHIBA

AIR CONDITIONER (MULTI TYPE)

SERVICE MANUAL

Indoor unit

<4-way cassette type>

MMU-UP0091HP-E(TR)
 MMU-UP0121HP-E(TR)
 MMU-UP0151HP-E(TR)
 MMU-UP0181HP-E(TR)
 MMU-UP0241HP-E(TR)
 MMU-UP0271HP-E(TR)
 MMU-UP0301HP-E(TR)
 MMU-UP0361HP-E(TR)
 MMU-UP0481HP-E(TR)
 MMU-UP0561HP-E(TR)

<Ceiling type>

MMC-UP0151HP-E(TR)
 MMC-UP0181HP-E(TR)
 MMC-UP0241HP-E(TR)
 MMC-UP0271HP-E(TR)
 MMC-UP0361HP-E(TR)
 MMC-UP0481HP-E(TR)
 MMC-UP0561HP-E(TR)

<Concealed Duct Standard type>

MMD-UP0051BHP-E
 MMD-UP0071BHP-E(TR)
 MMD-UP0091BHP-E(TR)
 MMD-UP0121BHP-E(TR)
 MMD-UP0151BHP-E(TR)
 MMD-UP0181BHP-E(TR)
 MMD-UP0241BHP-E(TR)
 MMD-UP0271BHP-E(TR)
 MMD-UP0301BHP-E(TR)
 MMD-UP0361BHP-E(TR)
 MMD-UP0481BHP-E(TR)
 MMD-UP0561BHP-E(TR)

<Concealed Duct High Static Pressure type>

MMD-UP0181HP-E(TR)
 MMD-UP0241HP-E(TR)
 MMD-UP0271HP-E(TR)
 MMD-UP0361HP-E(TR)
 MMD-UP0481HP-E(TR)
 MMD-UP0561HP-E(TR)
 MMD-UP0721HP-E(TR)
 MMD-UP0961HP-E(TR)

<Concealed Duct High Static Pressure fresh air intake type>

MMD-UP0481HFP-E(TR)
 MMD-UP0721HFP-E(TR)
 MMD-UP0961HFP-E(TR)
 MMD-UP1121HFP-E(TR)
 MMD-UP1281HFP-E(TR)

<Console type>

MML-UP0071NHP-E(TR)
 MML-UP0091NHP-E(TR)
 MML-UP0121NHP-E(TR)
 MML-UP0151NHP-E(TR)
 MML-UP0181NHP-E(TR)

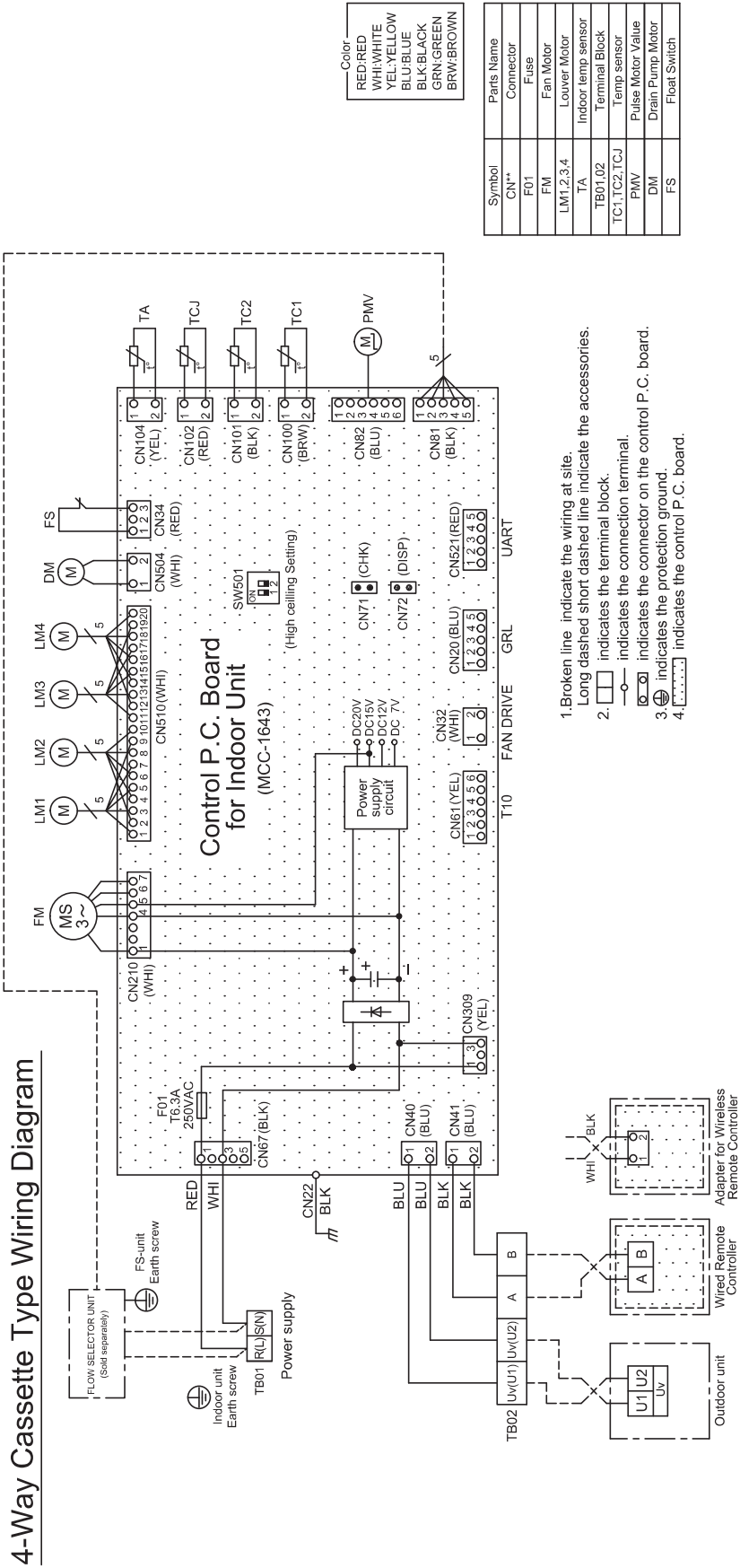
<High wall type>

MMK-UP0031HP-E(TR)
 MMK-UP0051HP-E(TR)
 MMK-UP0071HP-E(TR)
 MMK-UP0091HP-E(TR)
 MMK-UP0121HP-E(TR)
 MMK-UP0151HP-E(TR)
 MMK-UP0181HP-E(TR)
 MMK-UP0241HP-E(TR)
 MMK-UP0031HPL-E(TR)
 MMK-UP0051HPL-E(TR)
 MMK-UP0071HPL-E(TR)
 MMK-UP0091HPL-E(TR)
 MMK-UP0121HPL-E(TR)
 MMK-UP0151HPL-E(TR)
 MMK-UP0181HPL-E(TR)
 MMK-UP0241HPL-E(TR)

3. WIRING DIAGRAMS

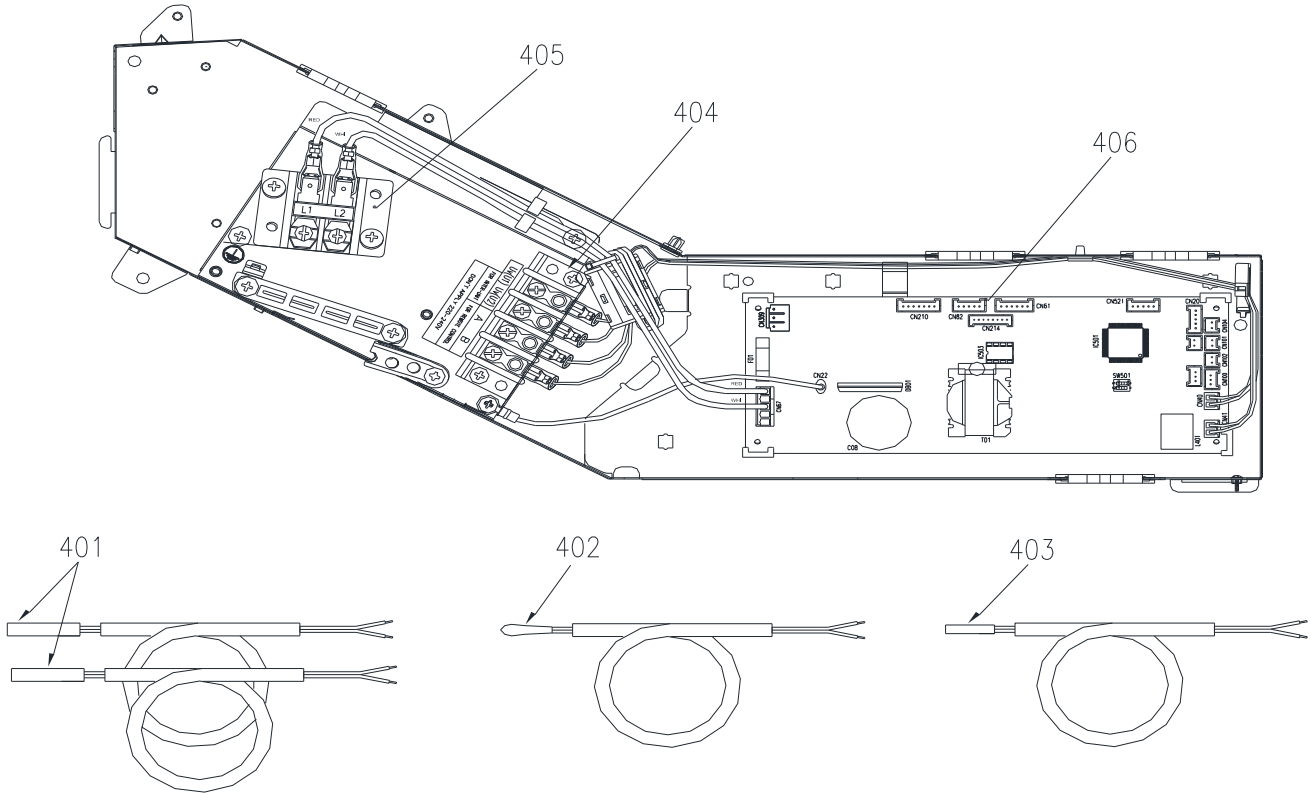
3-1. 4-way cassette type

MMU-UP****HP-E(TR)



Location No.	Part No.	Description	Model name MMU-UP		
			0361HP-E(TR)	0481HP-E(TR)	0561HP-E(TR)
201	43T20334	FAN,ASSY TURB	1	1	1
205	43T22322	BELL MOUTH	1	1	1
208	43T72322	PAN ASSY, DRAIN	1	1	1
212	43T44708	REFRIGERATION CYCLE ASSY	1	1	1
213	43T46515	COIL, PMV	1	1	1
214	43T46513	BODY, PMV	1	1	1
220	43T70326	HOSE, DRAIN	1	1	1
222	43T19357	GUARD,FAN	1	1	1
224	43T63348	CLAMP, DOWN	1	1	1
225	43T63349	CLAMP, UP	1	1	1
226	43T63347	CLAMP, WIRE	4	4	4
228	43T82318	SOCKET	1	1	1
231	43T97314	NUT, FLARE, 5/8 IN	1	1	1
233	43T82321	SOCKET	1	1	1
235	43T39352	PLATE,WIND	4	4	4
236	43T97315	SCREW, FIX PANEL	4	4	4
237	43T11324	RUBBER,CUSHION	3	3	3
238	43T97316	WASHER	1	1	1
239	43T21486	MOTOR ASSEMBLY	1	1	1
241	43T04318	COVER ASSY	1	1	1
242	43T39353	CAP,NUT	1	1	1
244	43T77301	PUMP ASSY	1	1	1
245	43T51314	SWITCH ASSY FLOAT	1	1	1
246	43T79319	LID ASSY, OUTSIDE	1	1	1
247	43T71303	SOCKET, ASSY DRAIN	1	1	1
249	43T97001	NUT	1	1	1
250	43T19321	FIX-P-SENSOR	1	1	1
251	43T47332	BONNET, 9.52 DIA	1	1	1
253	43T47334	BONNET; 15.88 DIA	1	1	1
254	43T97312	NUT, FLARE, 3/8 IN	1	1	1
256	43T19333	HOLDER, SENSOR	2	2	2
257	43T83311	BAND, HOSE	1	1	1
260	43T83312	STRING	1	1	1
262	43T79318	GLASS	1	1	1
263	43T47386	STRAINER	1	1	1
265	43T79317	LID ASSY, INSIDE	1	1	1
267	43T39406	BAND-FIX-EVA	2	2	2
268	43T39407	BAND-FIX-EVA	1	1	1

Electric Parts



Location No.	Part No.	Description	Model name MMU-UP									
			0091 HP-E(TR)	0121 HP-E(TR)	0151 HP-E(TR)	0181 HP-E(TR)	0241 HP-E(TR)	0271 HP-E(TR)	0301 HP-E(TR)	0361 HP-E(TR)	0481 HP-E(TR)	0561 HP-E(TR)
401	43T50347	SENSOR ASSY, SERVICE	2	2	2	2	2	2	2	2	2	2
402	43T50476	SERVICE-SENSOR	1	1	1	1	1	1	1	1	1	1
403	43T50477	TC-SENSOR (TC1)	1	1	1	1	1	1	1	1	1	1
404	43T60362	TERMINAL	1	1	1	1	1	1	1	1	1	1
405	43T60435	SERV-TERMINAL	1	1	1	1	1	1	1	1	1	1
406	43T6W845	PC BOARD ASSY	1	1	1	1	1	1	1	1	1	1