

# TOSHIBA

FILE NO. A10-2006

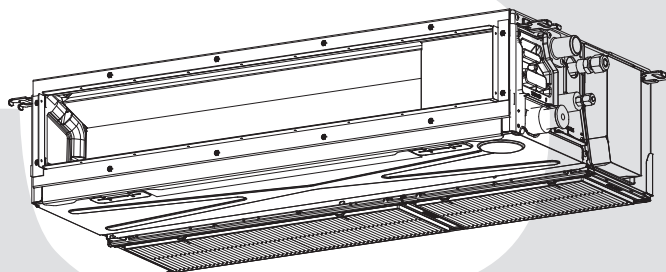
## SERVICE MANUAL

# AIR-CONDITIONER MULTI TYPE

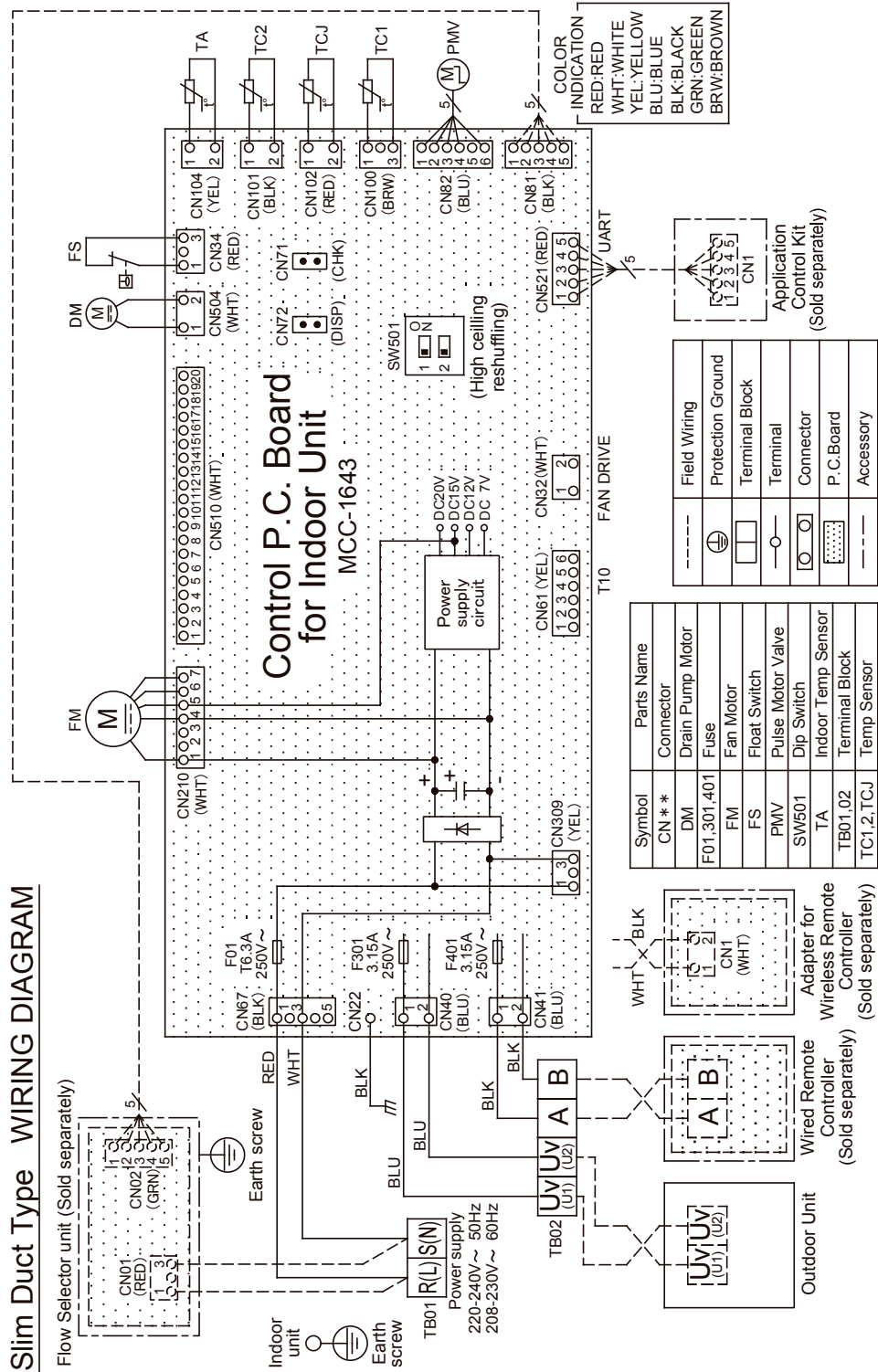
### INDOOR UNIT < Slim duct type >

MMD-UP0031SPHY-E  
MMD-UP0051SPHY-E  
MMD-UP0071SPHY-E  
MMD-UP0091SPHY-E  
MMD-UP0121SPHY-E  
MMD-UP0151SPHY-E  
MMD-UP0181SPHY-E  
MMD-UP0241SPHY-E  
MMD-UP0271SPHY-E

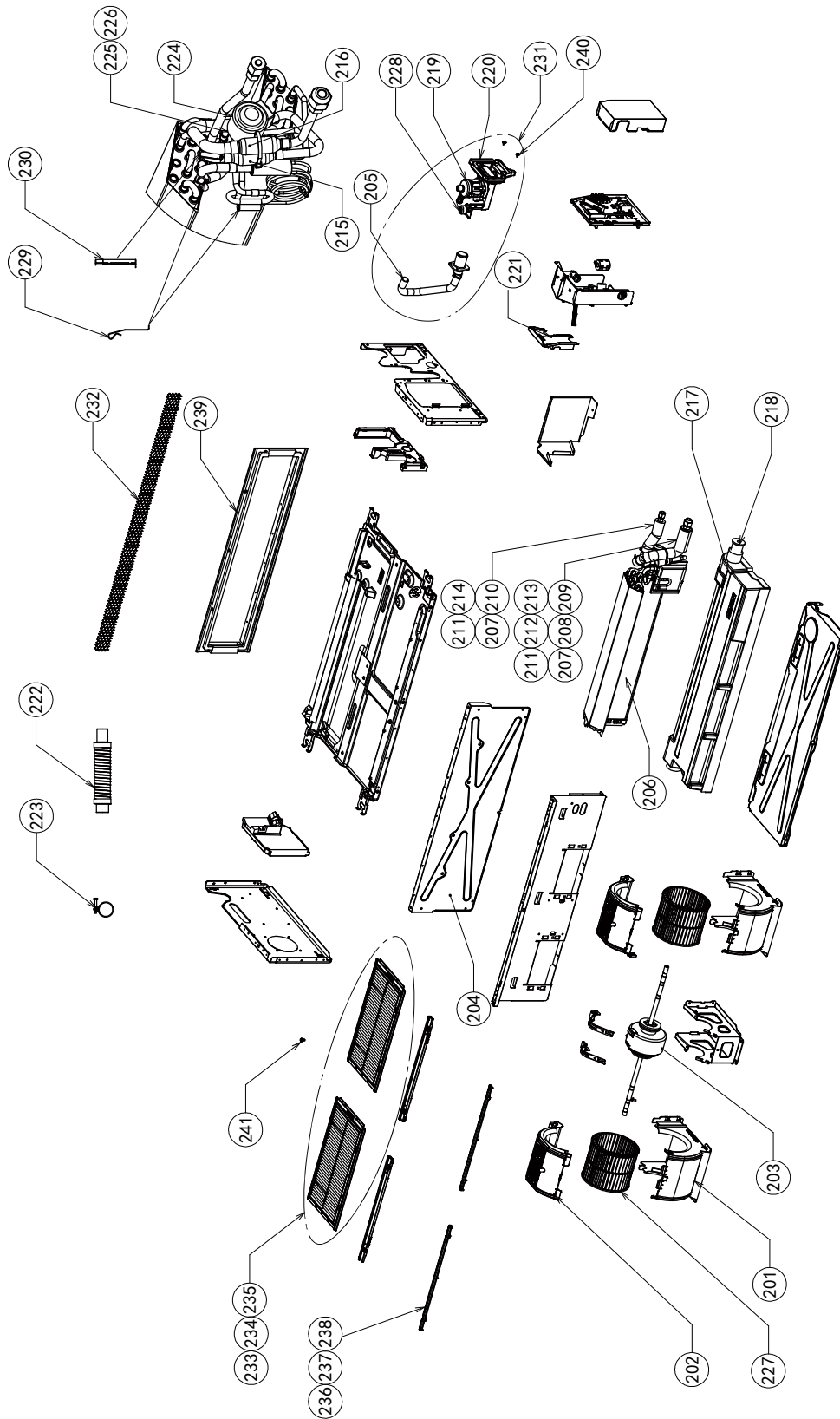
MMD-UP0031SPHY-TR  
MMD-UP0051SPHY-TR  
MMD-UP0071SPHY-TR  
MMD-UP0091SPHY-TR  
MMD-UP0121SPHY-TR  
MMD-UP0151SPHY-TR  
MMD-UP0181SPHY-TR  
MMD-UP0241SPHY-TR  
MMD-UP0271SPHY-TR



# 4. WIRING DIAGRAMS



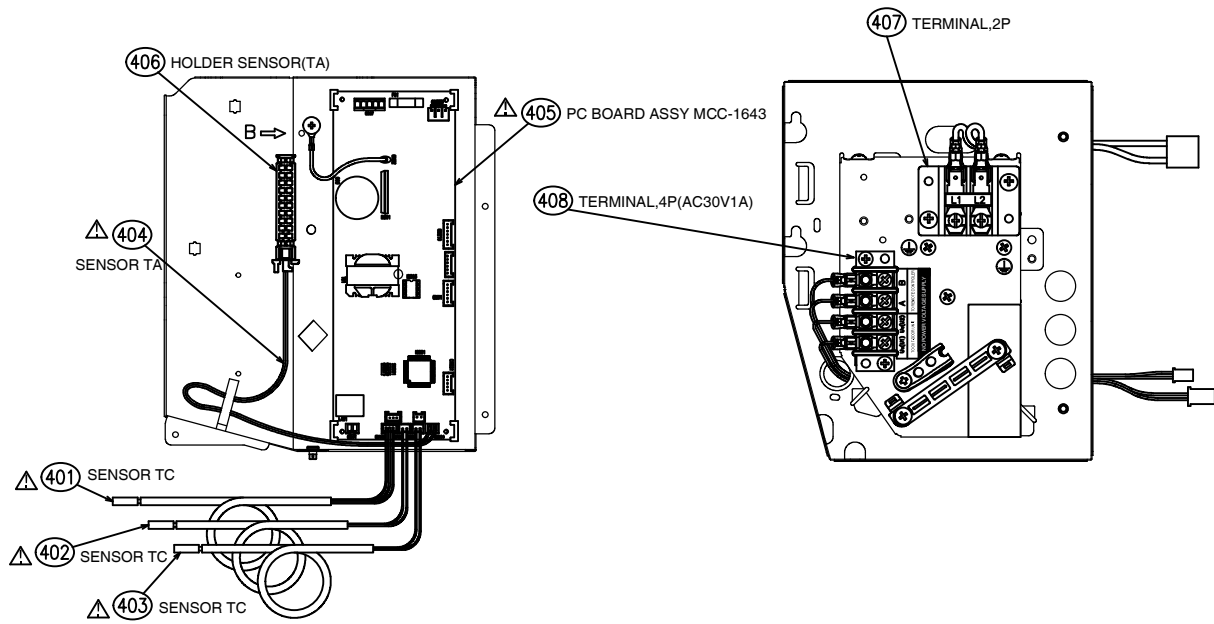
# 13. EXPLODED VIEWS AND PARTS LIST



Location No.	Part No.	Description	Q'ty/Set MMD-UP***1SPHY-E/TR								
			003	005	007	009	012	015	018	024	027
201	43H22003	CASE,FAN,UPPER	2	2	2	2	2				
	43H22004	CASE,FAN,UPPER						2	2		
	43H22005	CASE,FAN,UPPER								2	2
202	43H22006	CASE,FAN,LOWER	2	2	2	2	2				
	43H22007	CASE,FAN,LOWER						2	2		
	43H22008	CASE,FAN,LOWER								2	2
203	43H21004	MOTOR,FAN						1	1	1	1
	43H21011	MOTOR,FAN	1	1	1	1	1				
204	43H00021	PLATE,INLET	1	1	1	1	1				
	43H00022	PLATE,INLET						1	1		
	43H00023	PLATE,INLET								1	1
205	43H70001	HOSE,DRAIN	1	1	1	1	1	1	1	1	1
206	43H44028	REFRIGERATION CYCLE ASSY	1	1							
	43H44029	REFRIGERATION CYCLE ASSY			1	1	1				
	43H44031	REFRIGERATION CYCLE ASSY						1	1		
	43H44032	REFRIGERATION CYCLE ASSY								1	1
207	43H49003	SOCKET	1	1	1	1	1			1	1
208	43H49004	SOCKET						1	1		
209	43H49005	SOCKET								1	1
210	43H49006	SOCKET	1	1	1	1	1	1	1		
211	43H49007	NUT,FLARE	1	1	1	1	1			1	1
212	43H49008	NUT,FLARE						1	1		
213	43H49009	NUT,FLARE								1	1
214	43H49010	NUT,FLARE	1	1	1	1	1	1	1		
215	43H47006	STRAINER	1	1	1	1	1	1	1	1	1
216	43H47007	STRAINER	1	1	1	1	1				
217	43H72001	PAN ASSY,DRAIN	1	1	1	1	1				
	43H72002	PAN ASSY,DRAIN						1	1		
	43H72003	PAN ASSY,DRAIN								1	1
218	43H79001	CAP,DRAIN	1	1	1	1	1	1	1	1	1
219	43H77001	PUMP,DRAIN	1	1	1	1	1	1	1	1	1
220	43H19006	COVER ASSY,SIDE	1	1	1	1	1	1	1	1	1
221	43H19007	COVER,PIPE	1	1	1	1	1	1	1	1	1
222	43H70002	HOSE,DRAIN	1	1	1	1	1	1	1	1	1
223	43H79002	BAND,HOSE	1	1	1	1	1	1	1	1	1
224	43H46069	COIL,PMV	1	1	1	1	1	1	1	1	1
225	43H46065	BODY,PMV	1	1	1	1	1				
226	43H46068	BODY,PMV						1	1	1	1
227	43H20006	FAN,MULTI BLADE	2	2	2	2	2				
	43H20007	FAN,MULTI BLADE						2	2		
	43H20008	FAN,MULTI BLADE								2	2
228	43H51002	SWITCH,FLOAT	1	1	1	1	1	1	1	1	1
229	43H47008	HOLDER,SENSOR(TC)	2	2	2	2	2	2	2	2	2
230	43H47009	HOLDER,SENSOR(TC1)	1	1	1	1	1	1	1	1	1
231	43H77002	PUMP,DRAIN ASSY	1	1	1	1	1	1	1	1	1
232	43H39005	EVAPORATOR, WIND								1	1

Location No.	Part No.	Description	Q'ty/Set MMD-UP***1SPHY-E/TR								
			003	005	007	009	012	015	018	024	027
233	43H80030	AIR FILTER	1	1	1	1	1				
234	43H80036	AIR FILTER						1	1		
235	43H80037	AIR FILTER								1	1
236	43H80038	RAIL,FILTER	1	1	1	1	1				
237	43H80039	RAIL,FILTER						1	1		
238	43H80040	RAIL,FILTER								1	1
239	43H00024	FLANGE,OUTLET	1	1	1	1	1				
	43H00025	FLANGE,OUTLET						1	1		
	43H00026	FLANGE,OUTLET								1	1
240	43H97007	SCREW	1	1	1	1	1	1	1	1	1
241	43H97008	SCREW	1	1	1	1	1	1	1	1	1

# Electric Parts



Location No.	Part No.	Description	MMD-UP***1SPHY-E/TR								
			003	005	007	009	012	015	018	024	027
401	43H50009	SENSOR, TC	1	1	1	1	1	1	1	1	1
402	43H50010	SENSOR, TC	1	1	1	1	1	1	1	1	1
403	43H50011	SENSOR, TC	1	1	1	1	1	1	1	1	1
404	43H50012	SENSOR, TA	1	1	1	1	1	1	1	1	1
405	43H69082	PC BOARD ASSY, MCC-1643	1	1	1	1	1	1	1	1	1
406	43H63001	HOLDER, SENSOR(TA)	1	1	1	1	1	1	1	1	1
407	43H60007	TERMINAL, 2P	1	1	1	1	1	1	1	1	1
408	43H60004	TERMINAL, 4P(AC30V1A)	1	1	1	1	1	1	1	1	1