

AIR CONDITIONER (MULTI TYPE)

SERVICE MANUAL

Indoor unit

<Compact 4-way cassette type>

MMU-UP0051MH-E(TR)
MMU-UP0071MH-E(TR)
MMU-UP0091MH-E(TR)
MMU-UP0121MH-E(TR)
MMU-UP0151MH-E(TR)
MMU-UP0181MH-E(TR)

<2-way cassette type>

MMU-UP0071WH-E(TR)
MMU-UP0091WH-E(TR)
MMU-UP0121WH-E(TR)
MMU-UP0151WH-E(TR)
MMU-UP0181WH-E(TR)
MMU-UP0241WH-E(TR)
MMU-UP0271WH-E(TR)
MMU-UP0301WH-E(TR)
MMU-UP0361WH-E(TR)
MMU-UP0481WH-E(TR)
MMU-UP0561WH-E(TR)

<1-way cassette type>

MMU-UP0151SH-E(TR)
MMU-UP0181SH-E(TR)
MMU-UP0241SH-E(TR)

<Floor standing cabinet type>

MML-UP0071H-E(TR)
MML-UP0091H-E(TR)
MML-UP0121H-E(TR)
MML-UP0151H-E(TR)
MML-UP0181H-E(TR)
MML-UP0241H-E(TR)

<Floor standing concealed type>

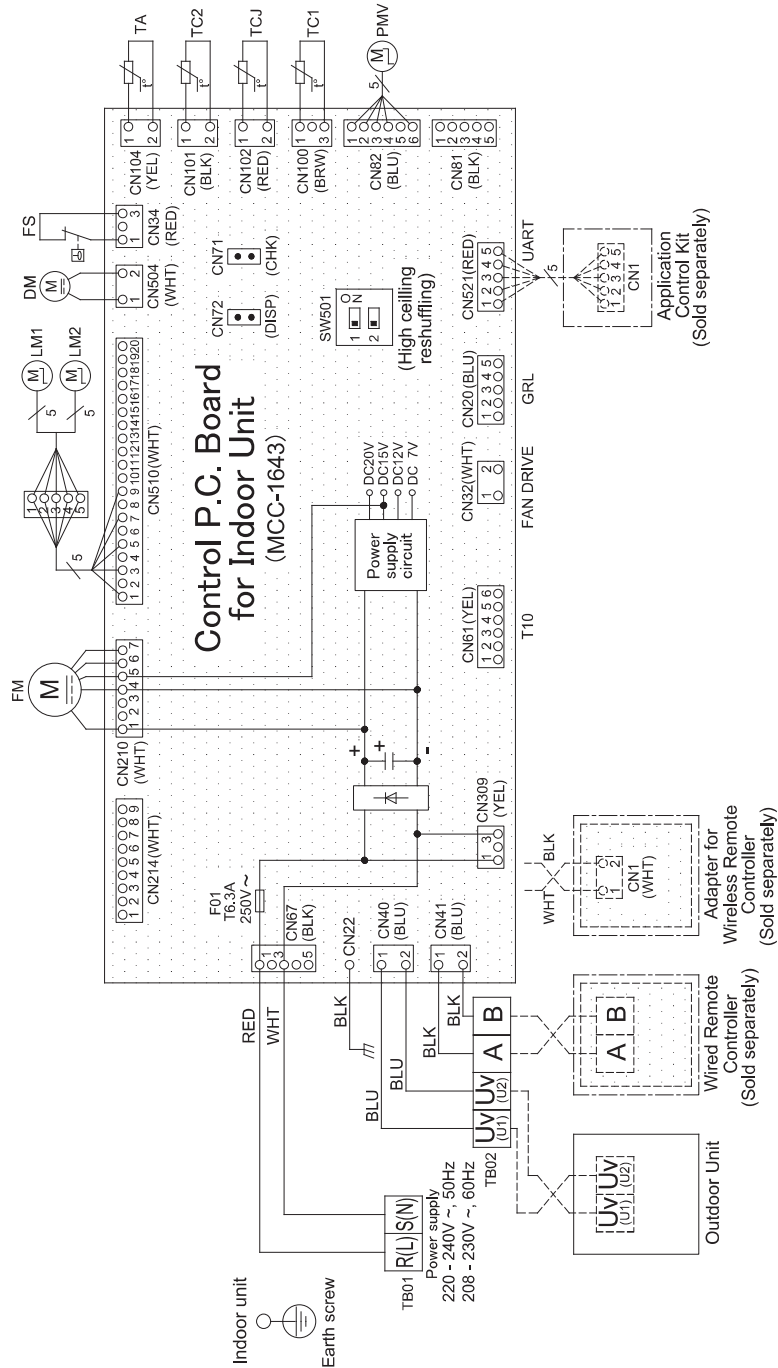
MML-UP0071BH-E(TR)
MML-UP0091BH-E(TR)
MML-UP0121BH-E(TR)
MML-UP0151BH-E(TR)
MML-UP0181BH-E(TR)
MML-UP0241BH-E(TR)

<Floor standing type>

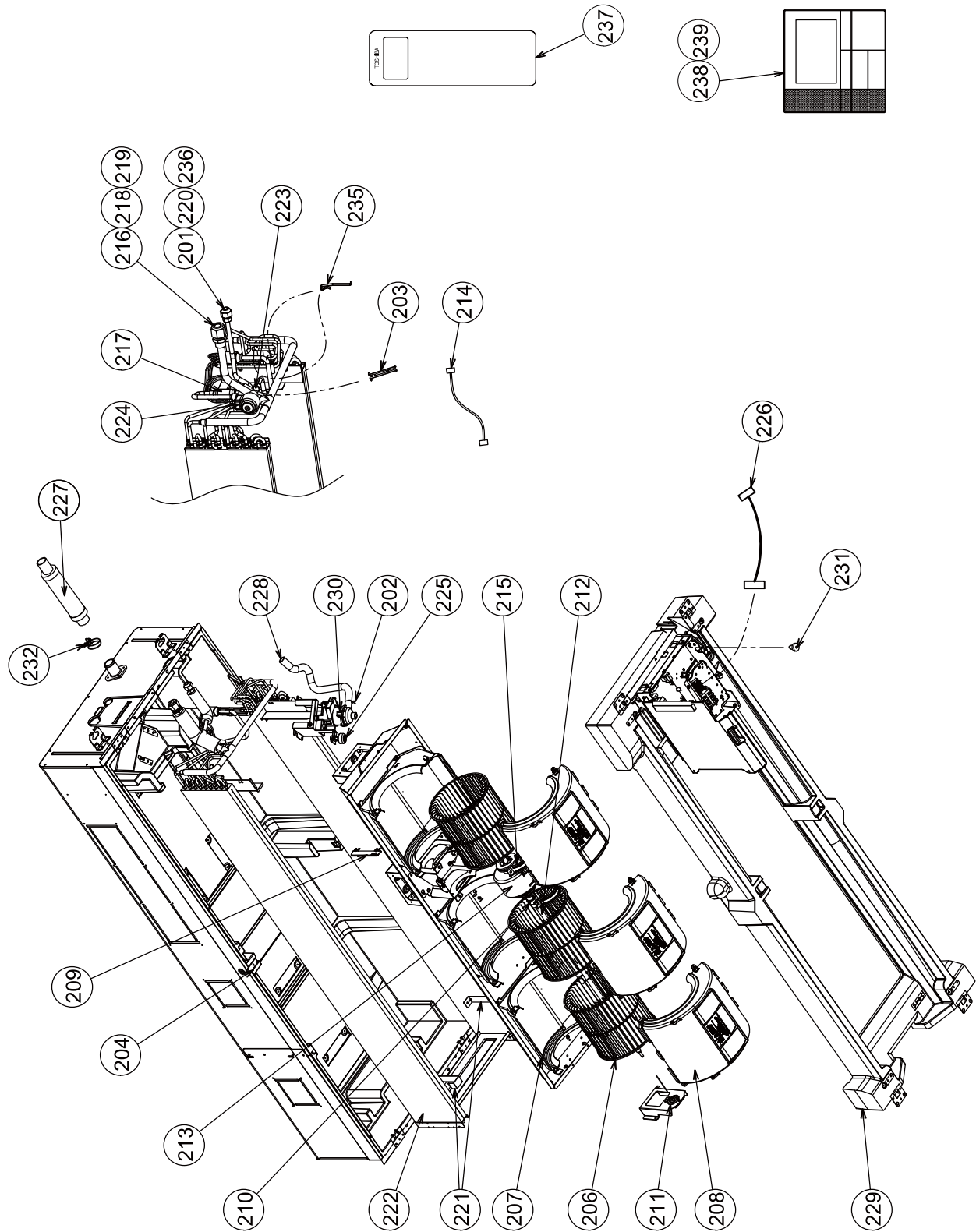
MMF-UP0151H-E(TR)
MMF-UP0181H-E(TR)
MMF-UP0241H-E(TR)
MMF-UP0271H-E(TR)
MMF-UP0361H-E(TR)
MMF-UP0481H-E(TR)
MMF-UP0561H-E(TR)

3-2. 2-way cassette type

MMU-UP0071WH-E(TR), UP0091WH-E(TR), UP0121WH-E(TR), UP0151WH-E(TR),
 UP0181WH-E(TR), UP0241WH-E(TR), UP0271WH-E(TR), UP0301WH-E(TR),
 UP0361WH-E(TR), UP0481WH-C, UP0561WH-E(TR)

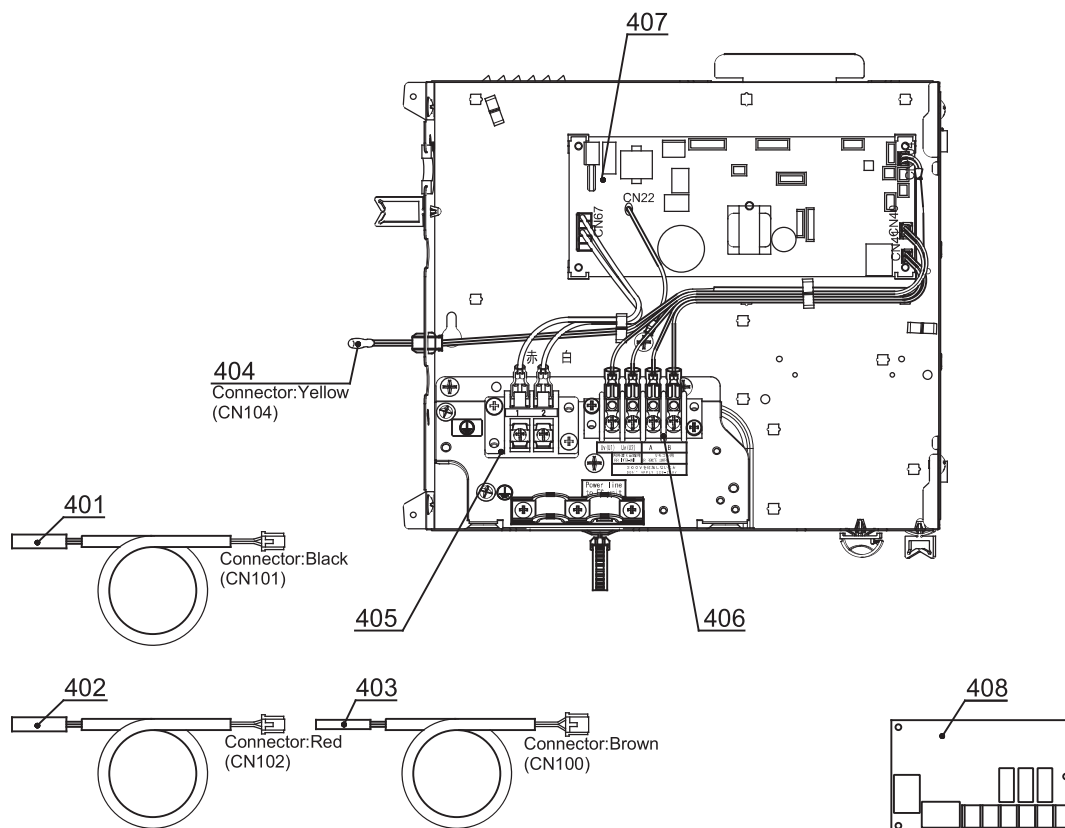


MMU-UP0361WH-E(TR), UP0481WH-E(TR), UP0561WH-E(TR)



Location No.	Part No.	Description	MMU-UP		
			Q'ty/Set	0361WH-E (TR)	0481WH-E (TR)
201	43049776	SOCKET, 9.52	1	1	1
202	43079249	BAND, HOSE	1	1	1
203	43107215	HOLDER, SENSOR	1	1	1
204	43119479	NUT	2	2	2
206	43120239	FAN, MULTI BLADE	3	3	3
207	43122097	CASE, FAN	3	3	3
208	43122098	CASE, FAN	3	3	3
209	43122099	PLATE, WIND	6	6	6
210	43125162	COUPLING	1	1	1
211	43125199	BEARING ASSY, MOLD	1	1	1
212	43125203	SHAFT	1	1	1
213	4312C189	MOTOR, FAN, ICF-340WD139-3	1	1	1
214	43135021	CONNECTOR ASSY, PMV	1	1	1
215	43139152	BAND, MOTOR	2	2	2
216	43147194	BONNET, 15.88	1	1	1
217	43147664	STRAINER, 9.52	1	1	1
218	43149352	NUT, FLARE, 15.88	1	1	1
219	43149354	SOCKET,15.88	1	1	1
220	43149355	NUT, FLARE, 9.52	1	1	1
221	43149535	BAND, FIX, EVAPORATOR	2	2	2
222	4314J639	REFRIGERATION CYCLE ASSY	1	1	1
223	4314N203	BODY, PMV	1	1	1
224	4314N205	COIL, PMV	1	1	1
225	43151328	SWITCH, FLOAT, FS-0218-103	1	1	1
226	43160691	LEAD, CONN	1	1	1
227	43170244	HOSE, DRAIN	1	1	1
228	43170290	HOSE, DRAIN	1	1	1
229	43172194	PAN ASSY, DRAIN	1	1	1
230	43177028	PUMP, DRAIN, PMD-08D12TF-2	1	1	1
231	43179110	PLUG	1	1	1
232	43179163	BAND, HOSE	1	1	1
235	43F19904	HOLDER, SENSOR (TS)	2	2	2
236	43F47609	BONNET, 9.52	1	1	1
237	43166041	REMOTE CONTROLLER, WIRELESS, RBC-AXU31-E	1	1	1
238	43166042	REMOTE CONTROLLER, WIRED, RBC-AMSU51-EN	1	1	1
239	43166043	REMOTE CONTROLLER, WIRED, RBC-AMSU51-ES	1	1	1

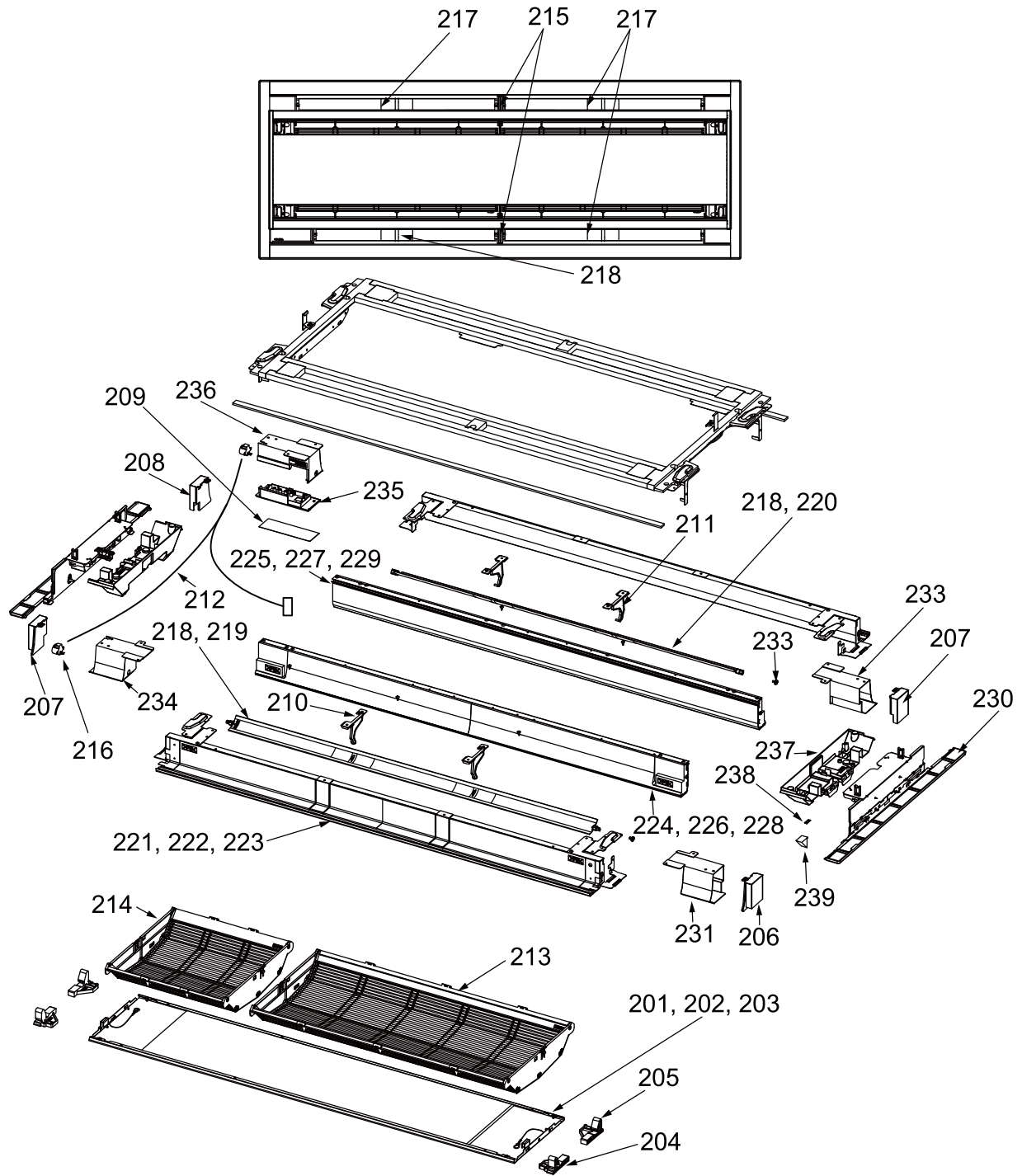
Electric Parts



Location No.	Part No.	Description	Q'ty/Set
			MMU-UP0**1WH-E(TR)
401	43150422	SENSOR, TC	1
402	43150342	SENSOR (DOUBLE-COATED CABLES)	1
403	43150414	SENSOR, TEMP	1
404	43150421	SENSOR, TA	1
405	43160626	TERMINAL BLOCK, 2P, 20A	1
406	43160694	TERMINAL, 4P	1
407	4316V727	P.C. BOARD ASSY, MCC-1643	1
408	43459017	P.C. BOARD ASSY, TCB-PCUC*E	1

◆ Ceiling panel

RBC-UW283PG (W)-E, RBC-UW803PG (W)-E, RBC-UW1403PG (W)-E



Location No.	Part No.	Description	Q'ty/Set RBC-UW		
			283PG (W)-E	803PG (W)-E	1403PG (W)-E
201	43409195	Panel, 941L	1		
202	43409196	Panel, 1306L		1	
203	43409197	Panel, 1726L			1
204	43407134	Hook, Inlet	2	2	2
205	43407135	Hook, Inlet	2	2	2
206	43403007	Cover, Spacer	1	1	1
207	43403008	Cover, Spacer	2	2	2
208	43403009	Cover, Spacer	1	1	1
209	43408036	Mark, TOSHIBA	1	1	1
210	43407136	Fix, Louver, Middle	1	2	2
211	43407137	Fix, Louver, Middle	1	2	2
212	43460115	Lead Ass'y, Motor	1	1	1
213	43409193	Filter Ass'y	1	1	2
214	43409194	Filter Ass'y		1	
215	43407138	Spacer, Louver, Middle			2
216	4302C063	Motor, Louver, MP24Z	2	2	2
217	43409189	Louver	1		3
218	43409190	Louver	1		1
219	43409191	Louver		1	
220	43409192	Louver		1	
221	43400069	Frame, Outlet	2		
222	43400071	Frame, Outlet		2	
223	43400073	Frame, Outlet			2
224	43400060	Frame, Inlet	1		
225	43400061	Frame, Inlet	1		
226	43400062	Frame, Inlet		1	
227	43400063	Frame, Inlet		1	
228	43400064	Frame, Inlet			1
229	43400065	Frame, Inlet			1
230	43400066	Cover, Body	2	2	2
231	43401030	Spacer	1	1	1
232	43401031	Spacer	1	1	1
233	43407140	Cap, Louver	2	2	2
234	43401033	Spacer, Motor	1	1	1
235	43401034	Base Ass'y, P.C. board	1	1	1
236	43401035	Cover, P.C. board	1	1	1
237	43100492	Cover Ass'y, Frame	2	2	2
238	43108025	Fix, Plate	4	4	4
239	43108024	Fix, Panel	4	4	4