

AIR CONDITIONER (MULTI TYPE)

SERVICE MANUAL

Indoor unit

<Compact 4-way cassette type>

MMU-UP0051MH-E(TR)
MMU-UP0071MH-E(TR)
MMU-UP0091MH-E(TR)
MMU-UP0121MH-E(TR)
MMU-UP0151MH-E(TR)
MMU-UP0181MH-E(TR)

<2-way cassette type>

MMU-UP0071WH-E(TR)
MMU-UP0091WH-E(TR)
MMU-UP0121WH-E(TR)
MMU-UP0151WH-E(TR)
MMU-UP0181WH-E(TR)
MMU-UP0241WH-E(TR)
MMU-UP0271WH-E(TR)
MMU-UP0301WH-E(TR)
MMU-UP0361WH-E(TR)
MMU-UP0481WH-E(TR)
MMU-UP0561WH-E(TR)

<1-way cassette type>

MMU-UP0151SH-E(TR)
MMU-UP0181SH-E(TR)
MMU-UP0241SH-E(TR)

<Floor standing cabinet type>

MML-UP0071H-E(TR)
MML-UP0091H-E(TR)
MML-UP0121H-E(TR)
MML-UP0151H-E(TR)
MML-UP0181H-E(TR)
MML-UP0241H-E(TR)

<Floor standing concealed type>

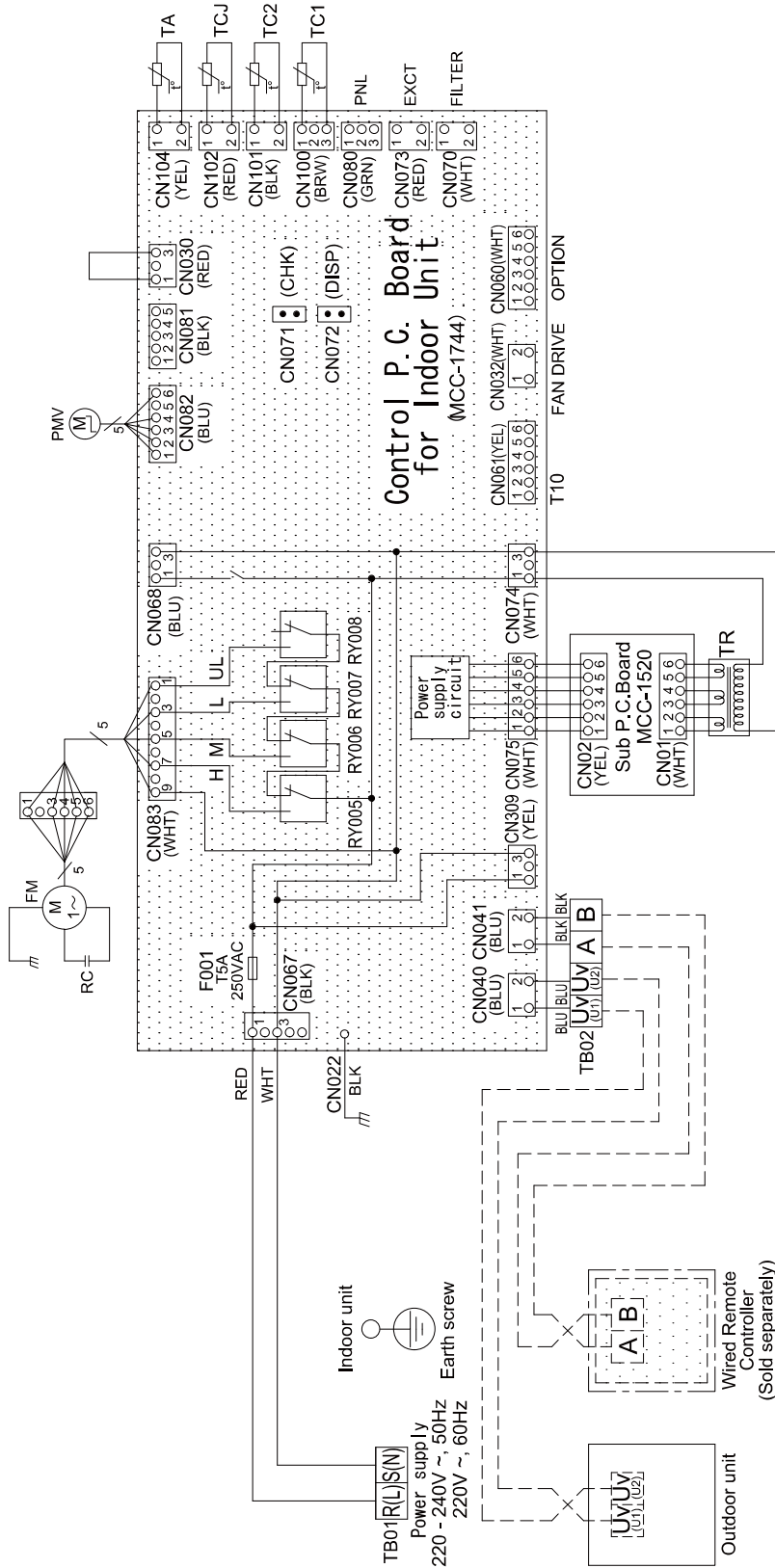
MML-UP0071BH-E(TR)
MML-UP0091BH-E(TR)
MML-UP0121BH-E(TR)
MML-UP0151BH-E(TR)
MML-UP0181BH-E(TR)
MML-UP0241BH-E(TR)

<Floor standing type>

MMF-UP0151H-E(TR)
MMF-UP0181H-E(TR)
MMF-UP0241H-E(TR)
MMF-UP0271H-E(TR)
MMF-UP0361H-E(TR)
MMF-UP0481H-E(TR)
MMF-UP0561H-E(TR)

3-5. Floor standing concealed type

MML- UP0071BH-E(TR), UP0091BH-E(TR), UP0121BH-E(TR), UP0151BH-E(TR), UP0181BH-E(TR), UP0241BH-E(TR)



COLOR INDICATION

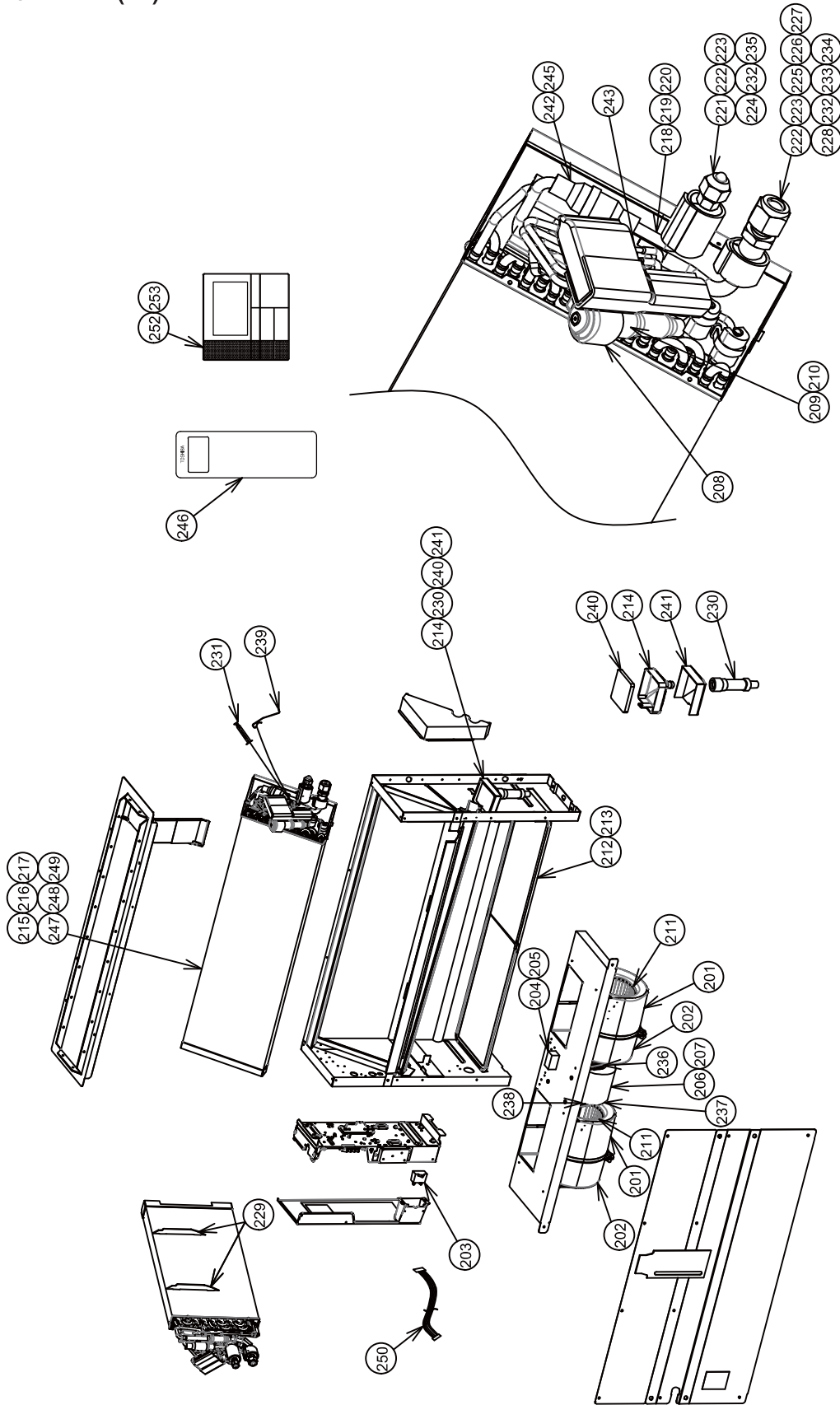
RED:RED
WHT:WHITE
YEL:YELLOW
BLU:BLUE
BLK:BLACK
GRN:GREEN
BRW:BROWN

Symbol	Parts Name
CN **	Connector
F001	Fuse
FM	Fan Motor
PMV	Pulse Motor Valve
RC	Running Capacitor
RY005,006,007,008	Fan Motor Control Relay
TA	Indoor temp sensor
TB01,02	Terminal Block
TC1,TC2,TCJ	Temp sensor
TR	Transformer

---	Field Wiring
⊕	Protection Ground
□	Terminal Block
○	Terminal
○	Connector
⊞	P.C.Board
---	Accessory

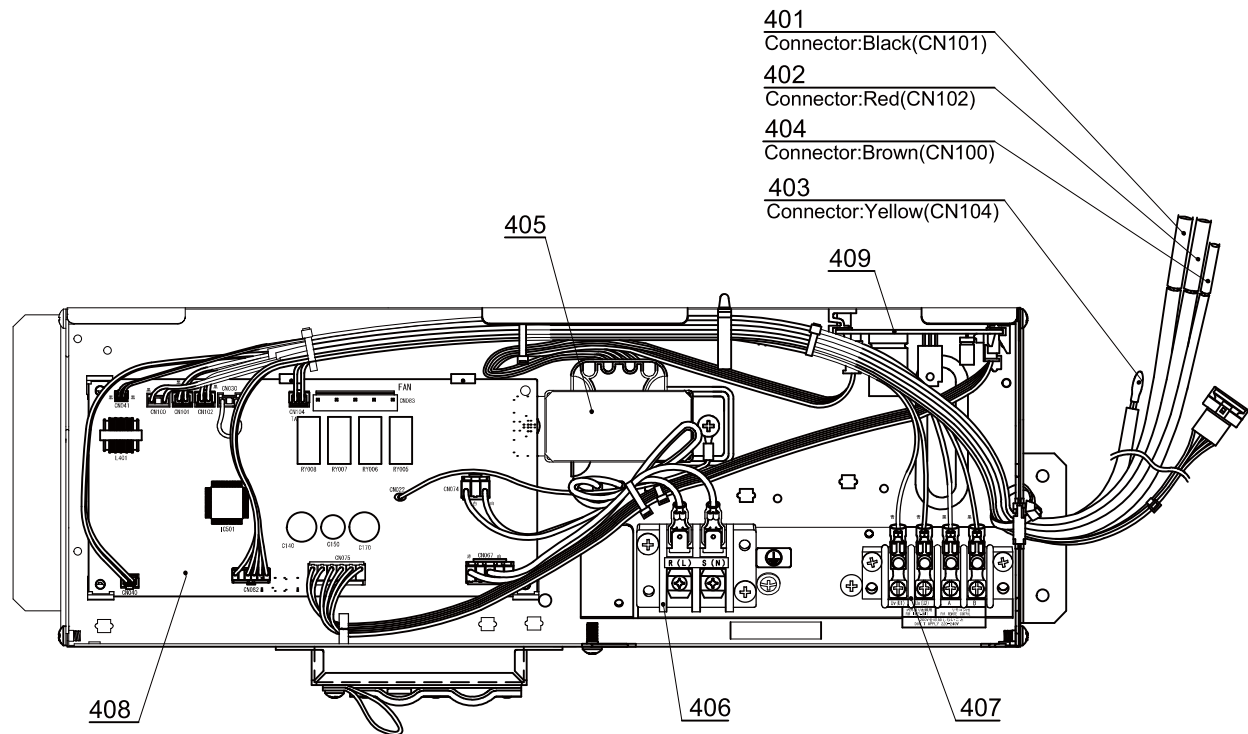
12-5. Floor Standing Concealed Type

MML-UP0071BH-E(TR), UP0091BH-E(TR), UP0121BH-E(TR), UP0151BH-E(TR), UP0181BH-E(TR), UP0241BH-E(TR)



Location No.	Part No.	Description	Q'ty/Set			MML-UP		
			0071BH -E (TR)	0091BH -E (TR)	0121BH -E (TR)	0151BH -E (TR)	0181BH -E (TR)	0241BH -E (TR)
201	43723020	CASE, FAN, LEFT	1	1	1	2	2	2
202	43126119	CASE, FAN, RIGHT	1	1	1	2	2	2
203	43155179	CAPACITOR, 1.5MFD,450V	1	1	1			
204	43155171	CAPACITOR, 450V 2.0MF						1
205	43155191	CAPACITOR, 450V 1MF				1	1	
206	4312C008	MOTOR, FAN, AF-200-70-4KR				1	1	1
207	4312C024	MOTOR, FAN, AF-200-19-4GR	1	1	1			
208	4314N205	COIL, PMV, PAM-MD12TF-301	1	1	1	1	1	1
209	4314N210	BODY, PMV, PAM-B25YGTF-1	1	1	1			
210	4314N209	BODY, PMV, PAM-B40YGTF-2				1	1	1
211	43120232	FAN, MULTI BLADE	1	1	1	2	2	2
212	43180294	FILTER	1	1	1			
213	43180295	FILTER				1	1	1
214	43170206	CATCH, DRAIN	1	1	1	1	1	1
215	4314J429	EVAPORATOR ASSY	1	1	1			
216	4314J430	EVAPORATOR ASSY				1	1	
217	4314J431	EVAPORATOR ASSY						1
218	4314Q152	DISTRIBUTOR ASSY	1	1	1			
219	4314Q153	DISTRIBUTOR ASSY				1	1	
220	4314Q154	DISTRIBUTOR ASSY						1
221	43F47685	NUT, FLARE, 9.52	1	1	1	1	1	
222	43149355	NUT, FLARE, 9.52	1	1	1			1
223	43049776	SOCKET, 9.52	1	1	1			1
224	43149351	SOCKET, 6.35	1	1	1	1	1	
225	43047688	NUT, FLARE, 12.7				1	1	
226	43149352	NUT, FLARE, 15.88						1
227	43149353	SOCKET,12.7				1	1	
228	43149354	SOCKET,15.88						1
229	43122046	PLATE-WIND	2	2	2			
230	43170197	HOSE ASSY	1	1	1	1	1	1
231	43107215	HOLDER, SENSOR	1	1	1	1	1	1
232	43F47609	BONNET,9.52	1	1	1			1
233	43147195	BONNET, 1/2 IN				1	1	
234	43194029	BONNET,15.88						1
235	43F49697	BONNET, 6.35	1	1	1	1	1	
236	43139154	BAND, MOTOR, LEFT	2	2	2	2	2	2
237	43139155	BAND, MOTOR, RIGHT	2	2	2	2	2	2
238	43122104	BASE, MOTOR	1	1	1	1	1	1
239	43F19904	HOLDER, SENSOR (TS)	2	2	2	2	2	2
240	43170207	STRAINER	1	1	1	1	1	1
241	43111311	HINS	1	1	1	1	1	1
242	43147664	STRAINER, ID 9.52				1	1	1
243	43147724	STRAINER	1	1	1			
245	4314Q043	STRAINER	1	1	1			
246	43166041	REMOTE CONTROLLER, WIRELESS, RBC-AXU31-E	1	1	1	1	1	1
247	4314J616	REFRIGERATION CYCLE ASSY	1	1	1			
248	4314J617	REFRIGERATION CYCLE ASSY				1	1	
249	4314J618	REFRIGERATION CYCLE ASSY						1
250	43160699	CONNECTOR ASSY, PMV	1	1	1	1	1	1
252	43166042	REMOTE CONTROLLER, WIRED, RBC-AMSU51-EN	1	1	1	1	1	1
253	43166043	REMOTE CONTROLLER, WIRED, RBC-AMSU51-ES	1	1	1	1	1	1

Electric Parts



Location No.	Part No.	Description	Q'ty/Set
			MML-UP0**1BH-E(TR)
401	43150426	SENSOR, TC	1
402	43150427	SENSOR, TC	1
403	4115A123	SENSOR,TA	1
404	43150415	SENSOR, TEMP	1
405	43158204	TRANSFORMER, TT-13	1
406	43160626	TERMINAL BLOCK, 2P, 20A	1
407	43160694	TERMINAL, 4P	1
408	4316V734	P.C. BOARD ASSY, MCC-1744	1
409	4316V345	P.C. BOARD ASSY, MCC-1520	1