

TOSHIBA

SERVICE MANUAL

AIR-CONDITIONER

SPLIT TYPE

Indoor Unit

RAS-B10N4KVRG-E

RAS-B13N4KVRG-E

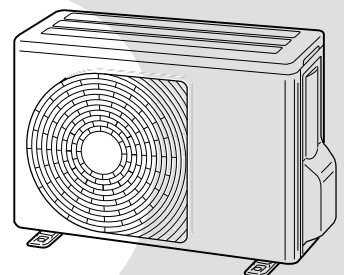
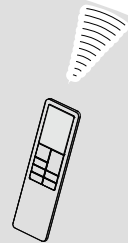
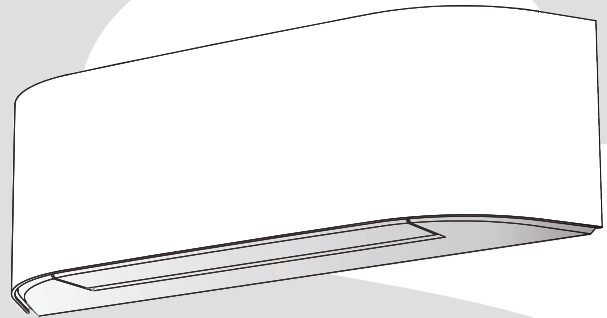
RAS-B16N4KVRG-E

Outdoor Unit

RAS-10J2AVSG-E1

RAS-13J2AVSG-E1

RAS-16J2AVSG-E1



R32 or R410A

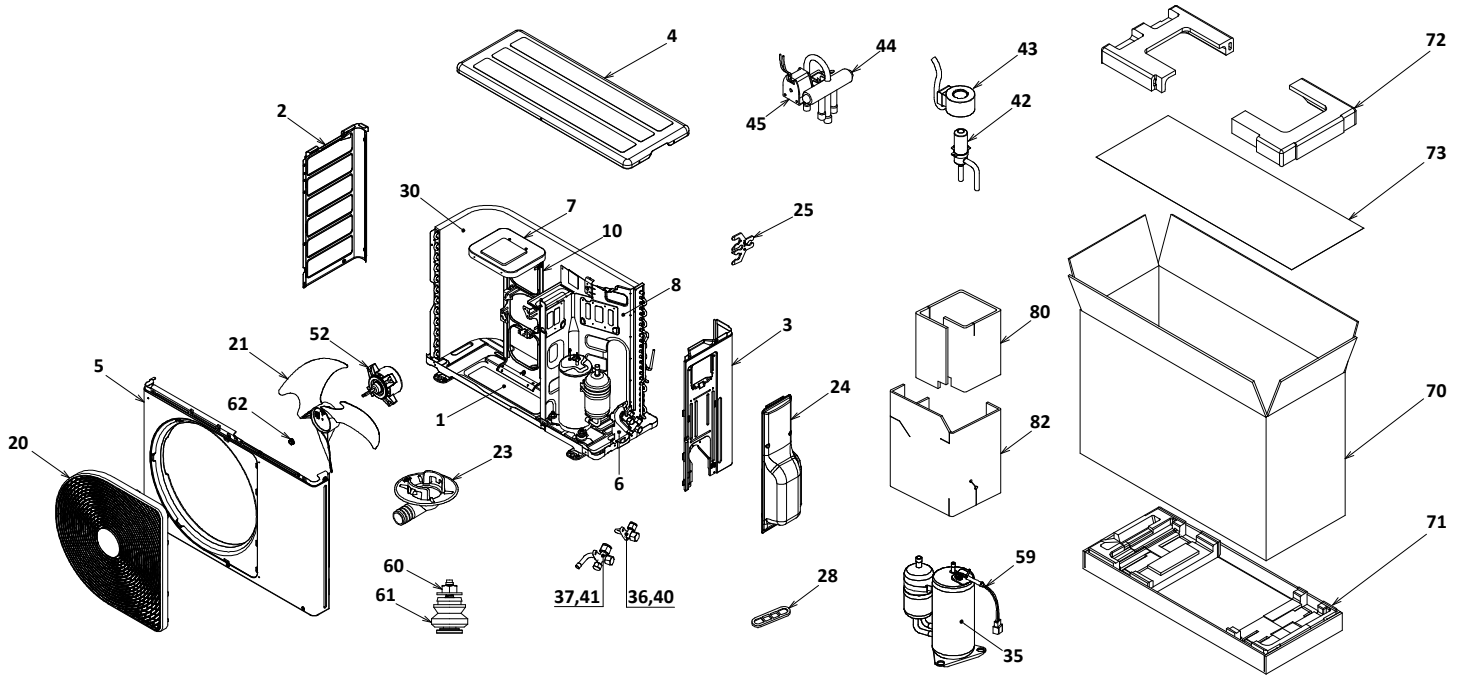
INVERTER



December, 2020

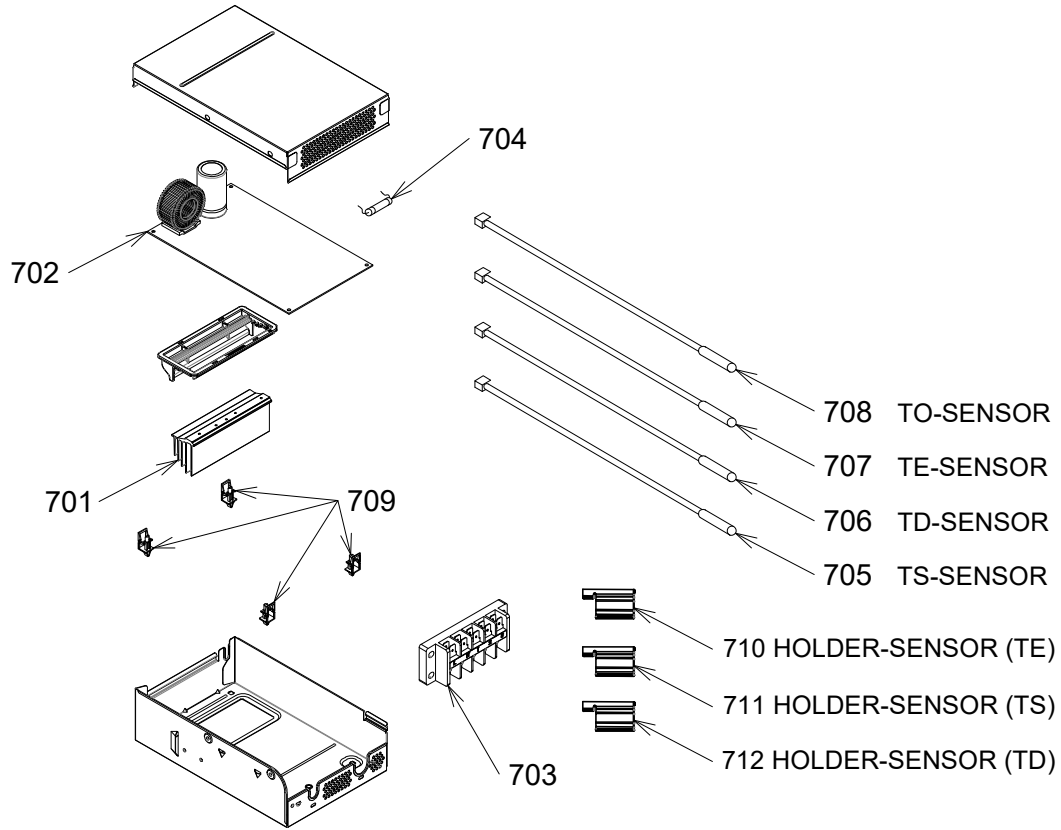
13-3. Outdoor Unit

RAS-10, 13J2AVSG-E1



Location No.	Part No.	Description	Location No.	Part No.	Description
1	43T42382	BASE PLATE ASSEMBLY	36	43T47403	BONNET, 6.35 DIA
2	43T00459	LEFT CABINET	37	43T47404	BONNET, 9.52 DIA
3	43T00690	RIGHT CABINET ASSEMBLY	40	43T46435	VALVE; PACKED 6.35 DIA
4	43T00735	UPPER CABINET ASSEMBLY	41	43T46436	VALVE; PACKED 9.52 DIA
5	43T00737	FRONT CABINET ASSEMBLY	42	43T46469	BODY PMV
6	43T00448	FIXING PLATE VALVE	43	43T63360	COIL PMV
7	43T39333	MOTOR BASE CONNECTION PLATE	44	43T46367	4 WAY VALVE (FOR RAS-10J2AVSG-E1)
8	43T04330	PARTITION ASSEMBLY (FOR RAS-10J2AVSG-E1)	44	43T46470	4 WAY VALVE (FOR RAS-13J2AVSG-E1)
8	43T04340	PARTITION ASSEMBLY (FOR RAS-13J2AVSG-E1)	45	43T63327	COIL-4WAY (FOR RAS-10J2AVSG-E1)
10	43T39393	MOTOR BASE	45	43T63361	COIL-4WAY (FOR RAS-13J2AVSG-E1)
20	43T19364	FAN GUARD	52	43T21460	FAN MOTOR
21	43T20319	PROPELLER FAN	59	43T60505	LEAD ASSY, COMPRESSOR
23	43T79325	DRAIN NIPPLE	60	43T97001	NUT
24	43T00762	PACKED-VALVE COVER ASSEMBLY	61	43T49327	CUSHION,RUBBER
25	43T63376	HOLDER, SENSOR	62	43T47001	NUT FLANGE
28	43089160	CAP, WATERPROOF	70	43T91343	CARTON BOX
30	43T43545	CONDENSER ASSEMBLY (FOR RAS-13J2AVSG-E1)	71	43T91342	FIBERBOARD UNDER ASSEMBLY
30	43T43603	CONDENSER ASSEMBLY (FOR RAS-10J2AVSG-E1)	72	43T91314	CUSHION-PKG-UPR
35	43T41521	COMPRESSOR (FOR RAS-13J2AVSG-E1)	73	43T91301	PE SHEET
35	43T41533	COMPRESSOR (FOR RAS-10J2AVSG-E1)	80	43T04357	SOUND INSULATION(IS)
			82	43T04429	INSULATION SOUND OUTSIDE

13-5. Outdoor Unit (Part-E)
RAS-10, 13J2AVSG-E1



Location No.	Part No.	Description	Location No.	Part No.	Description
701	43T67311	HEATSINK	706	43T50334	TEMPERATURE SENSOR
702	43T6W876	PC BOARD (WP-043) (FOR RAS-10J2AVSG-E1)	707	43T50352	TEMPERATURE SENSOR
702	43T6W877	PC BOARD (WP-043) (FOR RAS-13J2AVSG-E1)	708	43T50360	TC-SENSOR(TO)
703	43T60392	TERMINAL-5P	709	43T95304	SPACER-KGES
704	43T60459	FUSE	710	43T63318	HOLDER SENSOR
705	43T50353	TEMPERATURE SENSOR	711	43T63316	HOLDER,SENSOR
			712	43T63317	HOLDER,SENSOR