

# TOSHIBA

AIR CONDITIONER (MULTI TYPE)

## SERVICE MANUAL

### Indoor unit

#### <4-way cassette type>

MMU-UP0091HP-E(TR)  
 MMU-UP0121HP-E(TR)  
 MMU-UP0151HP-E(TR)  
 MMU-UP0181HP-E(TR)  
 MMU-UP0241HP-E(TR)  
 MMU-UP0271HP-E(TR)  
 MMU-UP0301HP-E(TR)  
 MMU-UP0361HP-E(TR)  
 MMU-UP0481HP-E(TR)  
 MMU-UP0561HP-E(TR)

#### <Ceiling type>

MMC-UP0151HP-E(TR)  
 MMC-UP0181HP-E(TR)  
 MMC-UP0241HP-E(TR)  
 MMC-UP0271HP-E(TR)  
 MMC-UP0361HP-E(TR)  
 MMC-UP0481HP-E(TR)  
 MMC-UP0561HP-E(TR)

#### <Concealed Duct Standard type>

MMD-UP0051BHP-E  
 MMD-UP0071BHP-E(TR)  
 MMD-UP0091BHP-E(TR)  
 MMD-UP0121BHP-E(TR)  
 MMD-UP0151BHP-E(TR)  
 MMD-UP0181BHP-E(TR)  
 MMD-UP0241BHP-E(TR)  
 MMD-UP0271BHP-E(TR)  
 MMD-UP0301BHP-E(TR)  
 MMD-UP0361BHP-E(TR)  
 MMD-UP0481BHP-E(TR)  
 MMD-UP0561BHP-E(TR)

#### <Concealed Duct High Static Pressure type>

MMD-UP0181HP-E(TR)  
 MMD-UP0241HP-E(TR)  
 MMD-UP0271HP-E(TR)  
 MMD-UP0361HP-E(TR)  
 MMD-UP0481HP-E(TR)  
 MMD-UP0561HP-E(TR)  
 MMD-UP0721HP-E(TR)  
 MMD-UP0961HP-E(TR)

#### <Concealed Duct High Static Pressure fresh air intake type>

MMD-UP0481HFP-E(TR)  
 MMD-UP0721HFP-E(TR)  
 MMD-UP0961HFP-E(TR)  
 MMD-UP1121HFP-E(TR)  
 MMD-UP1281HFP-E(TR)

#### <Console type>

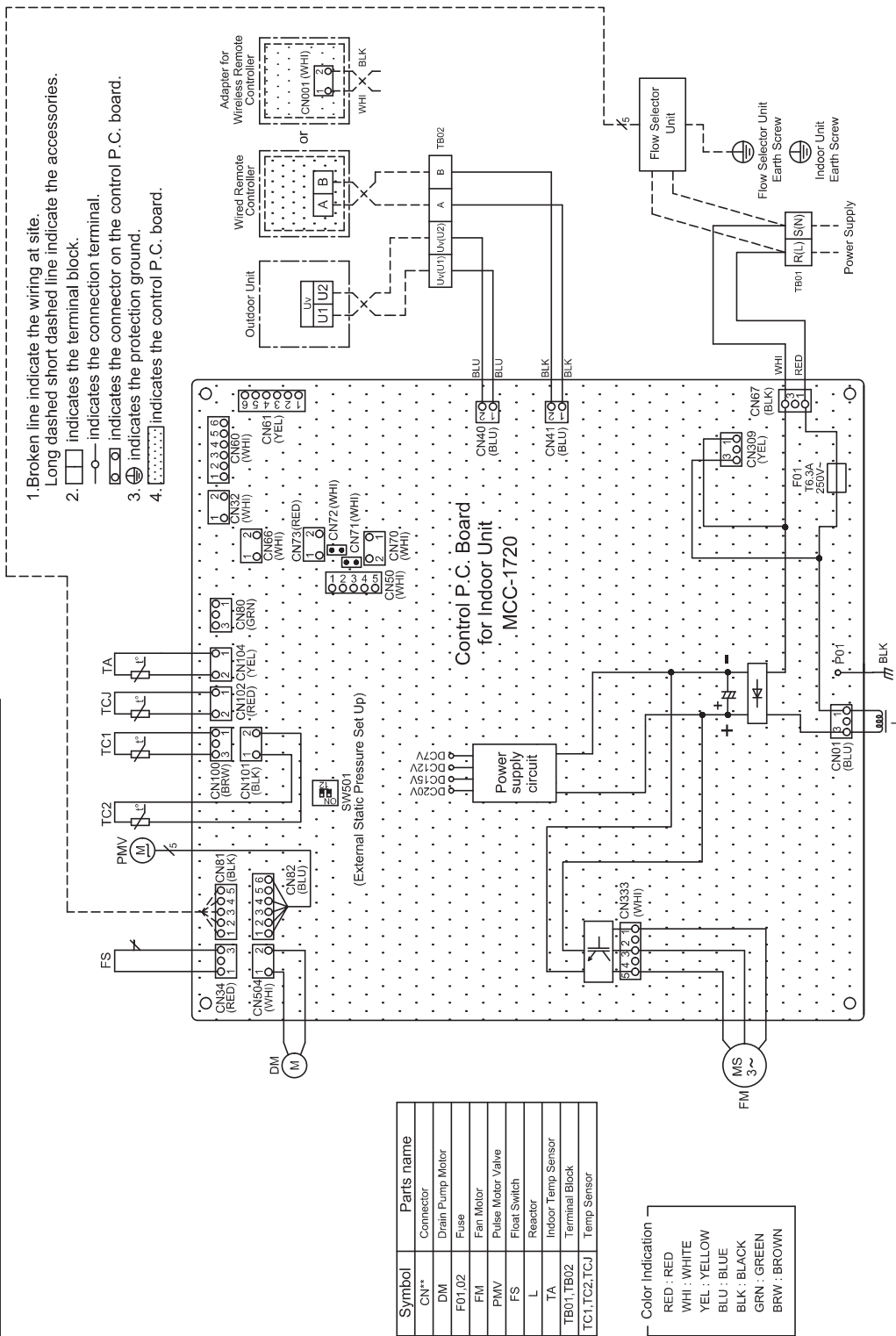
MML-UP0071NHP-E(TR)  
 MML-UP0091NHP-E(TR)  
 MML-UP0121NHP-E(TR)  
 MML-UP0151NHP-E(TR)  
 MML-UP0181NHP-E(TR)

#### <High wall type>

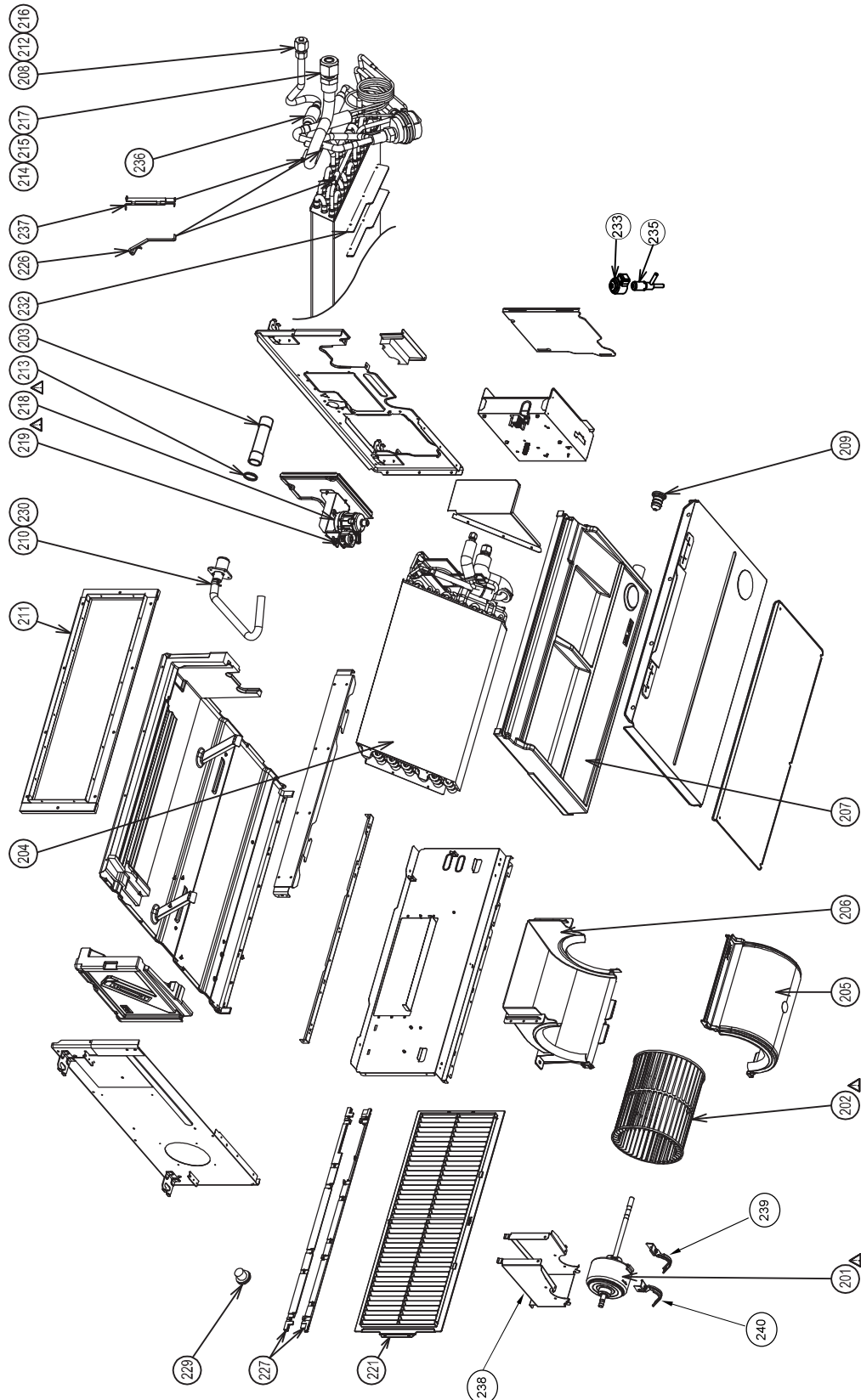
MMK-UP0031HP-E(TR)  
 MMK-UP0051HP-E(TR)  
 MMK-UP0071HP-E(TR)  
 MMK-UP0091HP-E(TR)  
 MMK-UP0121HP-E(TR)  
 MMK-UP0151HP-E(TR)  
 MMK-UP0181HP-E(TR)  
 MMK-UP0241HP-E(TR)  
 MMK-UP0031HPL-E(TR)  
 MMK-UP0051HPL-E(TR)  
 MMK-UP0071HPL-E(TR)  
 MMK-UP0091HPL-E(TR)  
 MMK-UP0121HPL-E(TR)  
 MMK-UP0151HPL-E(TR)  
 MMK-UP0181HPL-E(TR)  
 MMK-UP0241HPL-E(TR)

### 3-3. Concealed Duct Standard type MMD-UP\*\*\*\*BHP-E(TR)

Concealed Duct High Static Pressure Type Wiring Diagram

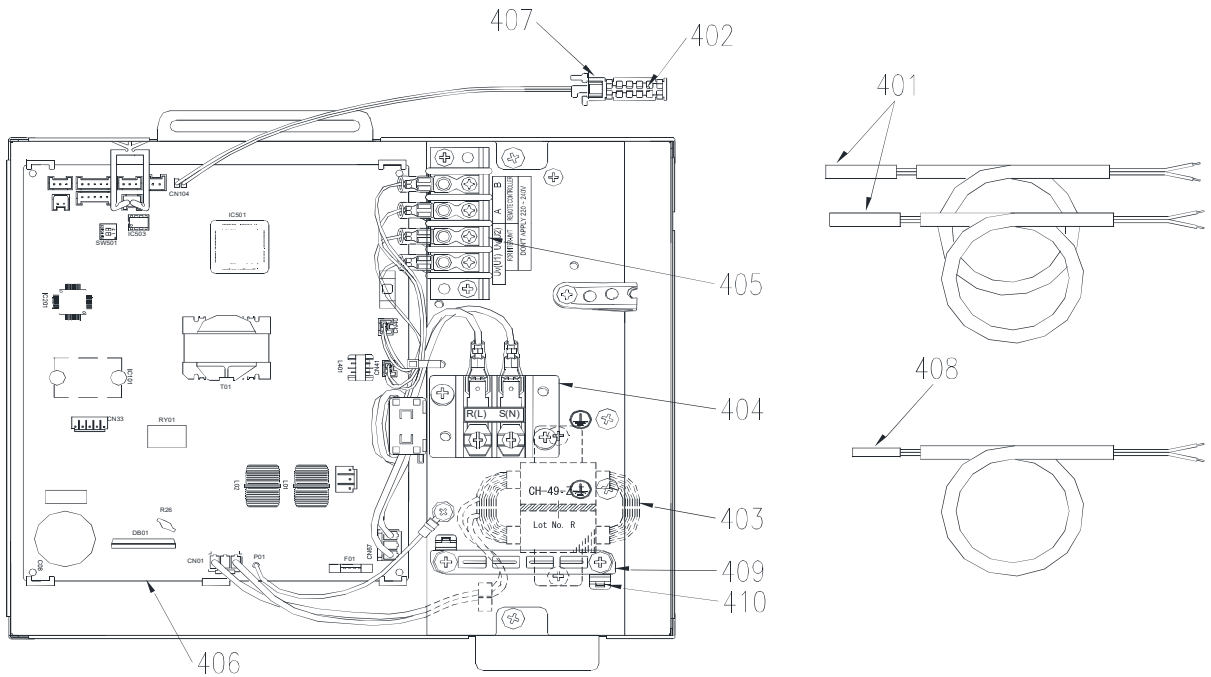


MMD-UP0151BHP-E(TR), MMD-UP0181BHP-E(TR)



Location No.	Part No.	Description	Model name MMD-UP	
			0151BHP-E(TR)	0181BHP-E(TR)
201	43T21448	MOTOR, FAN	1	1
202	43T20340	FAN, MULTI BLADE	1	1
203	43T70315	HOSE, DRAIN	1	1
204	43T44710	REFRIGERATION CYCLE ASSY	1	1
205	43T22335	CASE, FAN, LOWER	1	1
206	43T22337	CASE, FAN, UPPER	1	1
207	43T72317	PAN ASSY, DRAIN	1	1
208	43T82319	SOCKET	1	1
209	43T79321	CAP, DRAIN	1	1
210	43T70319	ASM-HOSE-DRAIN	1	1
211	43T39356	FLANGE	1	1
212	43T47331	BONNET, 6.35 DIA	1	1
213	43T83311	BAND, HOSE	1	1
214	43T82320	SOCKET	1	1
215	43T97317	NUT, FLARE, 1/2 IN	1	1
216	43T97311	NUT, FLARE, 1/4 IN	1	1
217	43T47333	BONNET, 12.70 DIA	1	1
218	43T77301	PUMP ASSY	1	1
219	43T51312	SWITCH, FLOAT	1	1
221	43T80340	AIR FILTER	1	1
226	43T19333	HOLDER, SENSOR	2	2
227	43T82329	RAIL, FILTER ASSY	1	1
229	43T82323	FILTER, STOPPER	1	1
232	43T39352	PLATE,WIND	2	2
233	43T46515	COIL, PMV	1	1
235	43T46517	BODY, PMV	1	1
236	43T47386	STRAINER	1	1
237	43T19321	FIX-P-SENSOR	1	1
238	43T39417	BASE-MOTOR	1	1
239	43T39415	BAND-MOTOR-R	1	1
240	43T39416	BAND-MOTOR-L	1	1

## Electric Parts



Location No.	Part No.	Description	Model name MMD-UP					
			0051 BHP-E	0071 BHP-E(TR)	0091 BHP-E(TR)	0121 BHP-E(TR)	0151 BHP-E(TR)	0181 BHP-E(TR)
401	43T50347	SENSOR ASSY, SERVICE	2	2	2	2	2	2
402	43T50476	SERVICE-SENSOR	1	1	1	1	1	1
403	43T58320	REACTOR	1	1	1	1	1	1
404	43T60435	SERV-TERMINAL	1	1	1	1	1	1
405	43T60362	TERMINAL	1	1	1	1	1	1
406	43T6W849	PC BOARD ASSY	1	1	1	1	1	1
407	43T50351	HOLDER-TA	1	1	1	1	1	1
408	43T50477	TC-SENSOR (TC1)	1	1	1	1	1	1
409	43T63348	CLAMP, DOWN	1	1	1	1	1	1
410	43T63349	CLAMP, UP	1	1	1	1	1	1

Location No.	Part No.	Description	Model name MMD-UP					
			0241 BHP-E(TR)	0271 BHP-E(TR)	0301 BHP-E(TR)	0361 BHP-E(TR)	0481 BHP-E(TR)	0561 BHP-E(TR)
401	43T50347	SENSOR ASSY, SERVICE	2	2	2	2	2	2
402	43T50476	SERVICE-SENSOR	1	1	1	1	1	1
403	43T58320	REACTOR	1	1	1	1	1	1
404	43T60435	SERV-TERMINAL	1	1	1	1	1	1
405	43T60362	TERMINAL	1	1	1	1	1	1
406	43T6W849	PC BOARD ASSY	1	1	1	1	1	1
407	43T50351	HOLDER-TA	1	1	1	1	1	1
408	43T50477	TC-SENSOR (TC1)	1	1	1	1	1	1
409	43T63348	CLAMP, DOWN	1	1	1	1	1	1
410	43T63349	CLAMP, UP	1	1	1	1	1	1