

TOSHIBA

AIR CONDITIONER (MULTI TYPE)

SERVICE MANUAL

Indoor unit

<1-way cassette type>

MMU-UP0031YHP-E(TR)

MMU-UP0051YHP-E(TR)

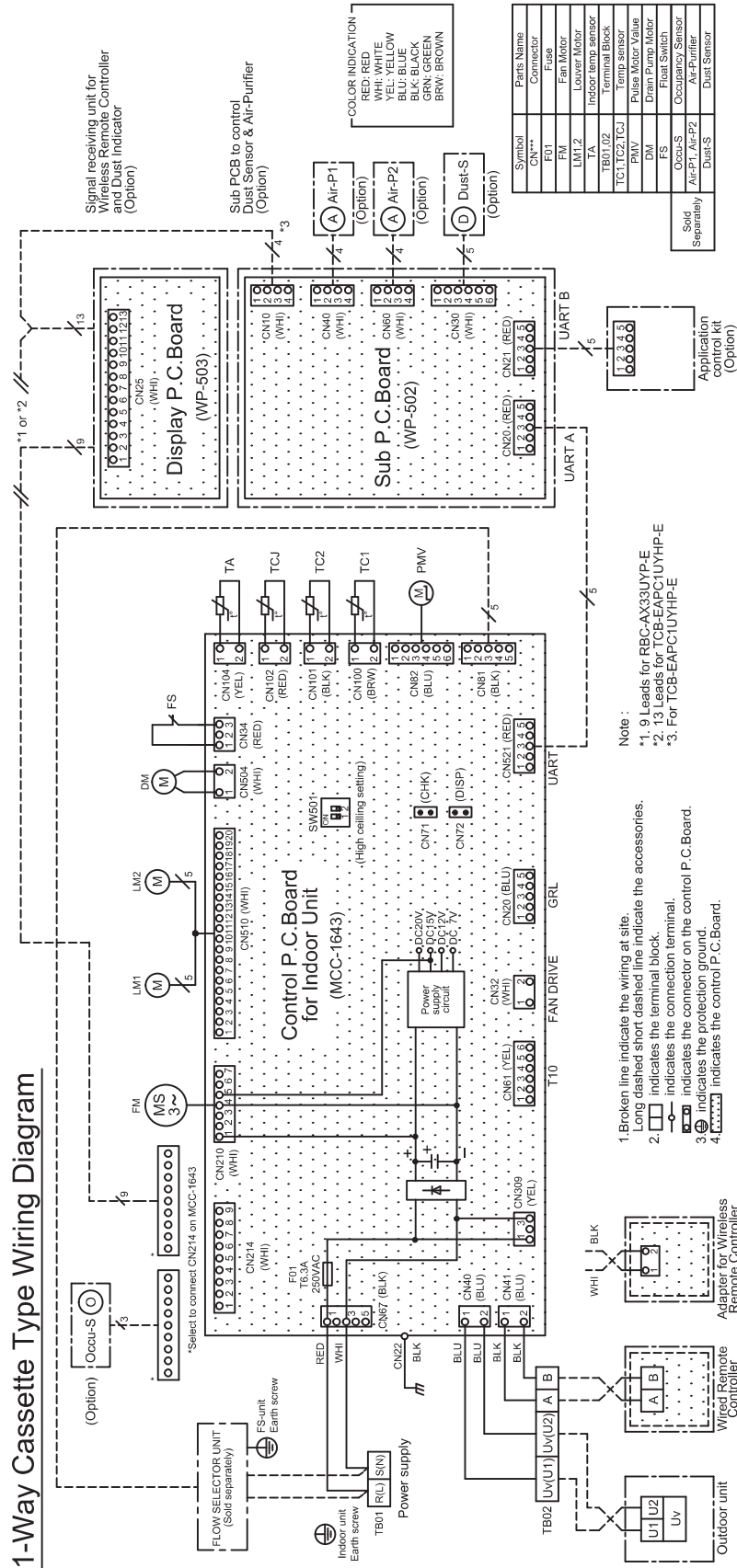
MMU-UP0071YHP-E(TR)

MMU-UP0091YHP-E(TR)

MMU-UP0121YHP-E(TR)



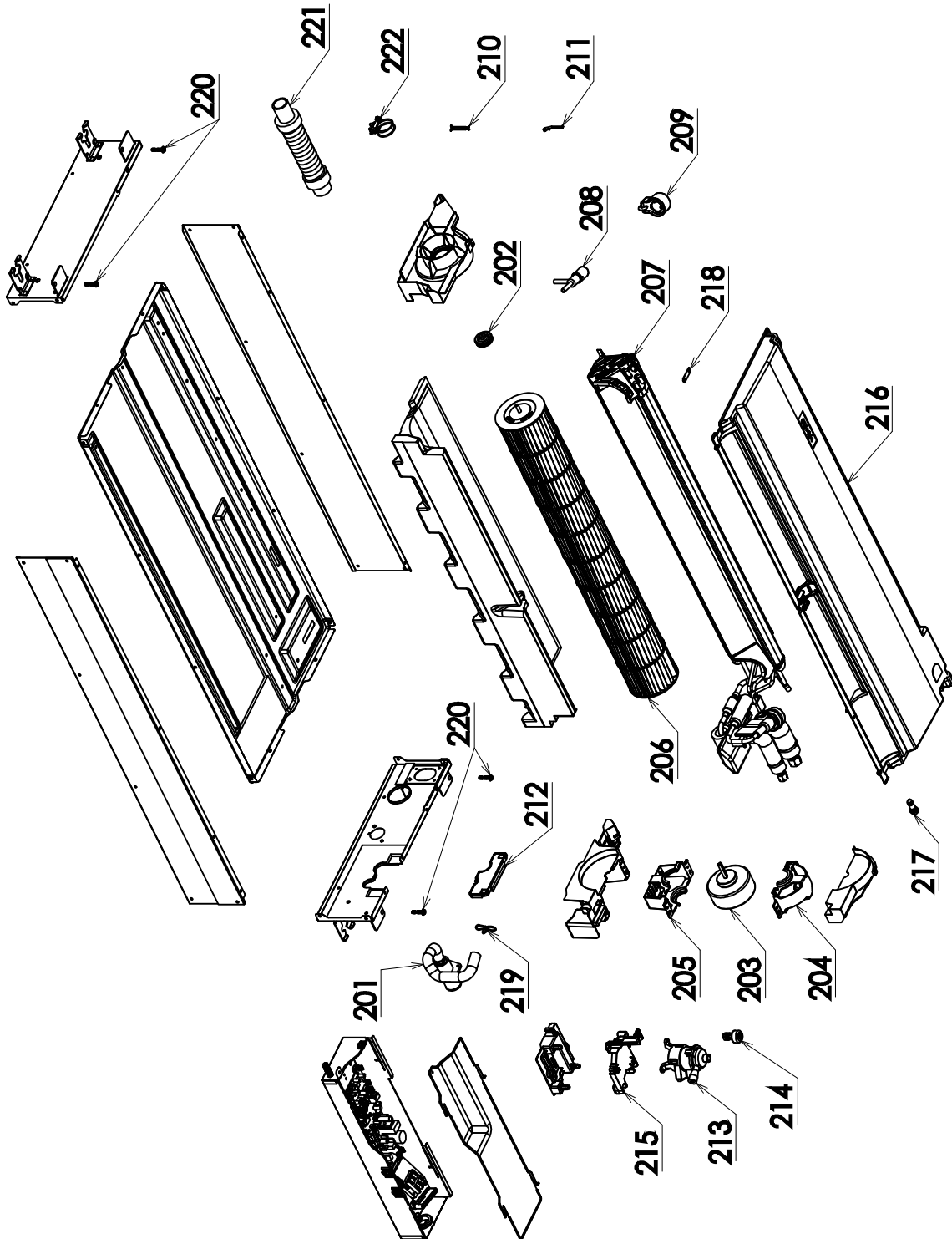
2. WIRING DIAGRAM



11. EXPLODED VIEWS AND PARTS LIST

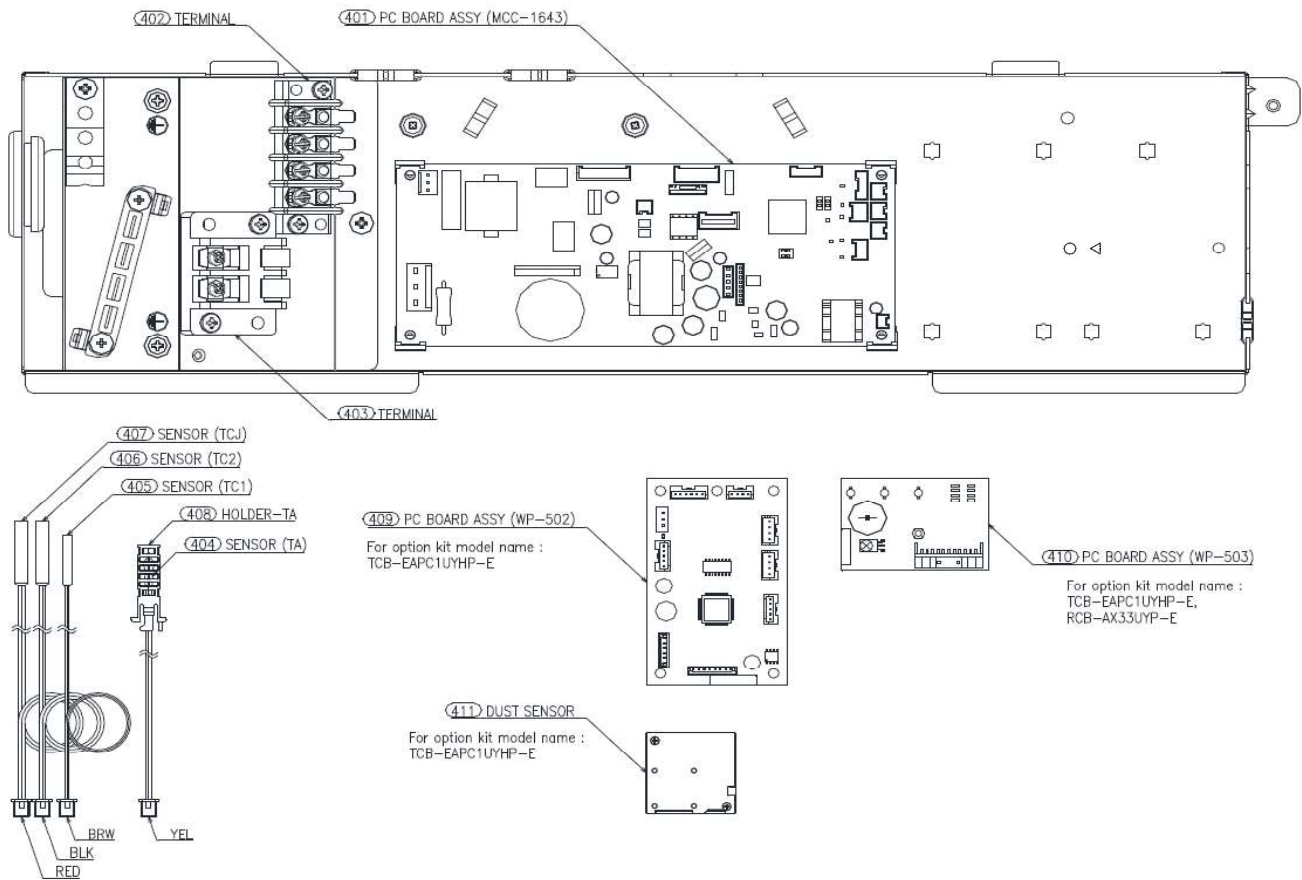
1-way cassette type

MMU-UP0031YHP-E(TR), MMU-UP0051YHP-E(TR), MMU-UP0071YHP-E(TR),
MMU-UP0091YHP-E(TR), MMU-UP0121YHP-E(TR)



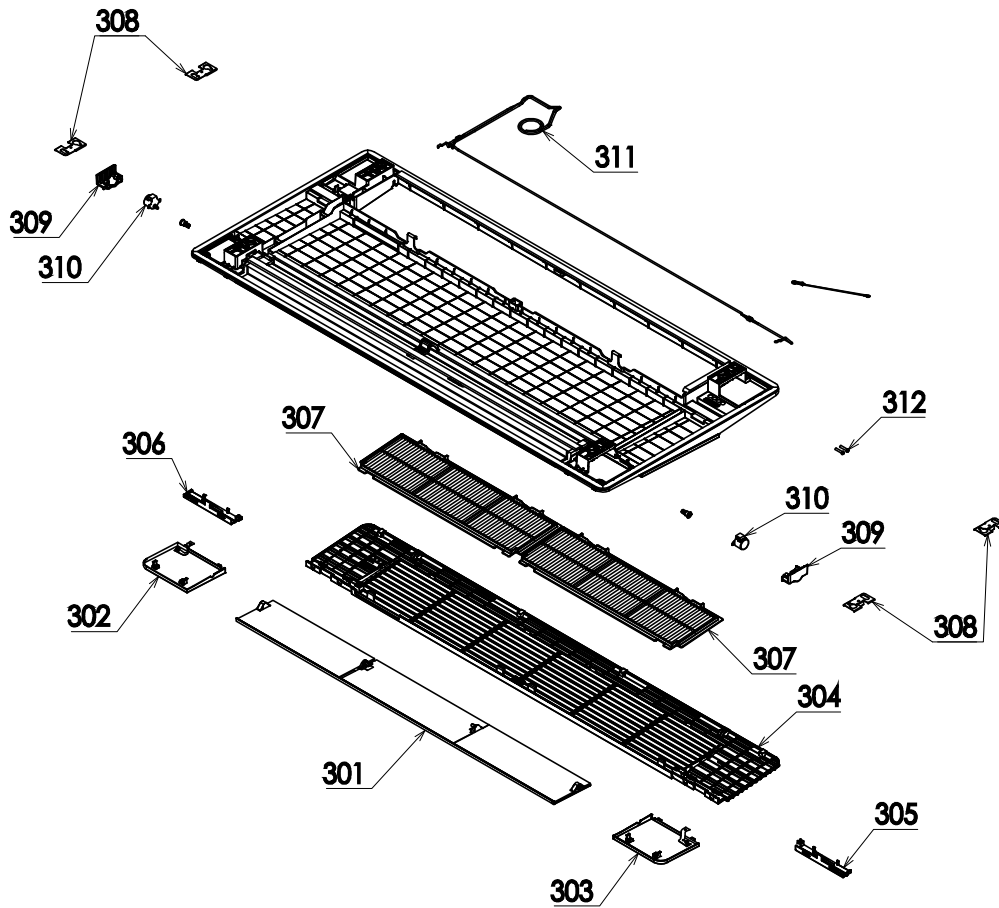
Location No.	Part No.	Description	Model name MMU-UP				
			0031 YHP-E(TR)	0051 YHP-E(TR)	0071 YHP-E(TR)	0091 YHP-E(TR)	0121 YHP-E(TR)
201	43T70327	DRAIN HOSE ASSY	1	1	1	1	1
202	43T22312	BEARING ASSY, MOLD	1	1	1	1	1
203	43T21515	MOTOR-FAN	1	1	1	1	1
204	43T39428	MOTOR BAND DOWN	1	1	1	1	1
205	43T39429	MOTOR BAND UP	1	1	1	1	1
206	43T20362	CROSS FLOW FAN ASSY	1	1	1	1	1
207	43T44718	REFRIGERATION CYCLE ASSY	1	1	1	1	1
208	43T46516	BODY, PMV	1	1	1	1	1
209	43T46515	COIL, PMV	1	1	1	1	1
210	43T19321	FIX-P-SENSOR	1	1	1	1	1
211	43T19333	HOLDER, SENSOR	2	2	2	2	2
212	43T49389	PIPE COVER ASSY	1	1	1	1	1
213	43T77303	PUMP ASSY	1	1	1	1	1
214	43T51316	FLOAT SWITCH ASSY	1	1	1	1	1
215	43T07325	PUMP FIXTURE	1	1	1	1	1
216	43T72365	DRAIN PAN ASSY	1	1	1	1	1
217	43T79322	DRAIN CAP	1	1	1	1	1
218	43T07326	SCREW PLATE	1	1	1	1	1
219	43T83307	BAND, HOSE	1	1	1	1	1
220	43T97315	SCREW, FIX PANEL	4	4	4	4	4
221	43T70326	HOSE, DRAIN	1	1	1	1	1
222	43T83311	BAND, HOSE	1	1	1	1	1

Electric Parts



Location No.	Part No.	Description	Model name				
			0031	0051	0071	0091	0121
			YHP-E(TR)	YHP-E(TR)	YHP-E(TR)	YHP-E(TR)	YHP-E(TR)
401	43T6W910	PC BOARD ASSY (MCC-1643)	1	1	1	1	1
402	43T60362	TERMINAL	1	1	1	1	1
403	43T60078	TERMINAL BLOCK	1	1	1	1	1
404	43T50389	TA-SENSOR	1	1	1	1	1
405	43T50477	TC-SENSOR (TC1)	1	1	1	1	1
406	43T50387	TC-SENSOR (TC2)	1	1	1	1	1
407	43T50386	TC-SENSOR (TCJ)	1	1	1	1	1
408	43T50351	HOLDER-TA	1	1	1	1	1
409	43T6W911	PC BOARD ASSY (WP-502)	1	1	1	1	1
410	43T6W912	PC BOARD ASSY (WP-503)	1	1	1	1	1
411	43T50408	DUST SENSOR	1	1	1	1	1

RBC-UY32P-E



Location No.	Part No.	Description	RBC-UY32P-E
301	43T22378	HORIZONTAL LOUVER ASSY	1
302	43T01334	PANEL COVER ASSY	1
303	43T01335	PANEL COVER ASSY	1
304	43T09593	GRILLE ASSY	1
305	43T19381	GRILLE HOOK RIGHT	1
306	43T19382	GRILLE HOOK LEFT	1
307	43T80364	AIR FILTER	2
308	43T07327	PANEL FIXED PLATE	4
309	43T07328	LOUVER MOTOR COVER	2
310	43T21478	MOTOR; STEPPING	2
311	43T60550	LEAD-MOTOR	1
312	43T97331	SCREW FIX PANEL	2