

# TOSHIBA

AIR CONDITIONER (MULTI TYPE)

# SERVICE MANUAL

## Indoor unit

### <4-way cassette type>

MMU-UP0091HP-E(TR)  
 MMU-UP0121HP-E(TR)  
 MMU-UP0151HP-E(TR)  
 MMU-UP0181HP-E(TR)  
 MMU-UP0241HP-E(TR)  
 MMU-UP0271HP-E(TR)  
 MMU-UP0301HP-E(TR)  
 MMU-UP0361HP-E(TR)  
 MMU-UP0481HP-E(TR)  
 MMU-UP0561HP-E(TR)

### <Ceiling type>

MMC-UP0151HP-E(TR)  
 MMC-UP0181HP-E(TR)  
 MMC-UP0241HP-E(TR)  
 MMC-UP0271HP-E(TR)  
 MMC-UP0361HP-E(TR)  
 MMC-UP0481HP-E(TR)  
 MMC-UP0561HP-E(TR)

### <Concealed Duct Standard type>

MMD-UP0051BHP-E  
 MMD-UP0071BHP-E(TR)  
 MMD-UP0091BHP-E(TR)  
 MMD-UP0121BHP-E(TR)  
 MMD-UP0151BHP-E(TR)  
 MMD-UP0181BHP-E(TR)  
 MMD-UP0241BHP-E(TR)  
 MMD-UP0271BHP-E(TR)  
 MMD-UP0301BHP-E(TR)  
 MMD-UP0361BHP-E(TR)  
 MMD-UP0481BHP-E(TR)  
 MMD-UP0561BHP-E(TR)

### <Concealed Duct High Static Pressure type>

MMD-UP0181HP-E(TR)  
 MMD-UP0241HP-E(TR)  
 MMD-UP0271HP-E(TR)  
 MMD-UP0361HP-E(TR)  
 MMD-UP0481HP-E(TR)  
 MMD-UP0561HP-E(TR)  
 MMD-UP0721HP-E(TR)  
 MMD-UP0961HP-E(TR)

### <Concealed Duct High Static Pressure fresh air intake type>

MMD-UP0481HFP-E(TR)  
 MMD-UP0721HFP-E(TR)  
 MMD-UP0961HFP-E(TR)  
 MMD-UP1121HFP-E(TR)  
 MMD-UP1281HFP-E(TR)

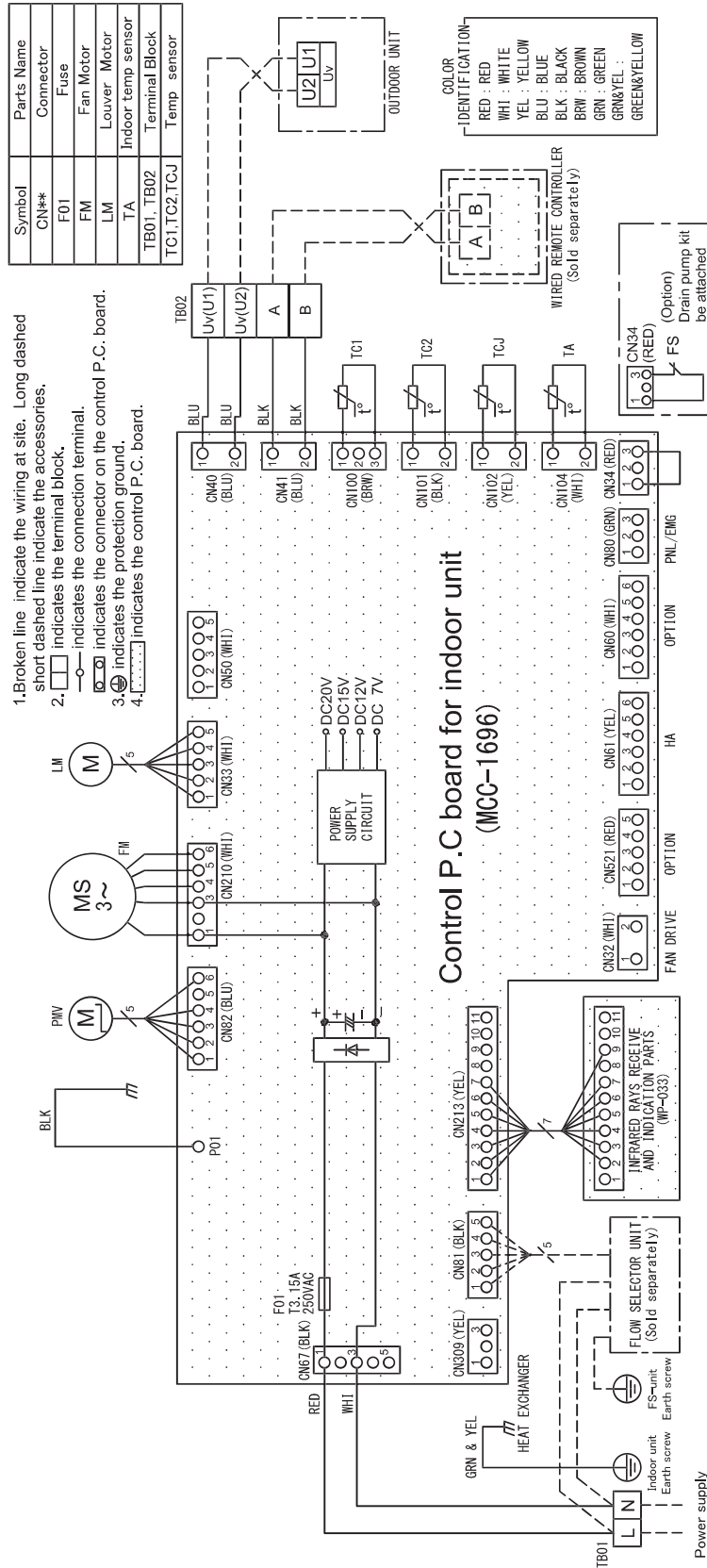
### <Console type>

MML-UP0071NHP-E(TR)  
 MML-UP0091NHP-E(TR)  
 MML-UP0121NHP-E(TR)  
 MML-UP0151NHP-E(TR)  
 MML-UP0181NHP-E(TR)

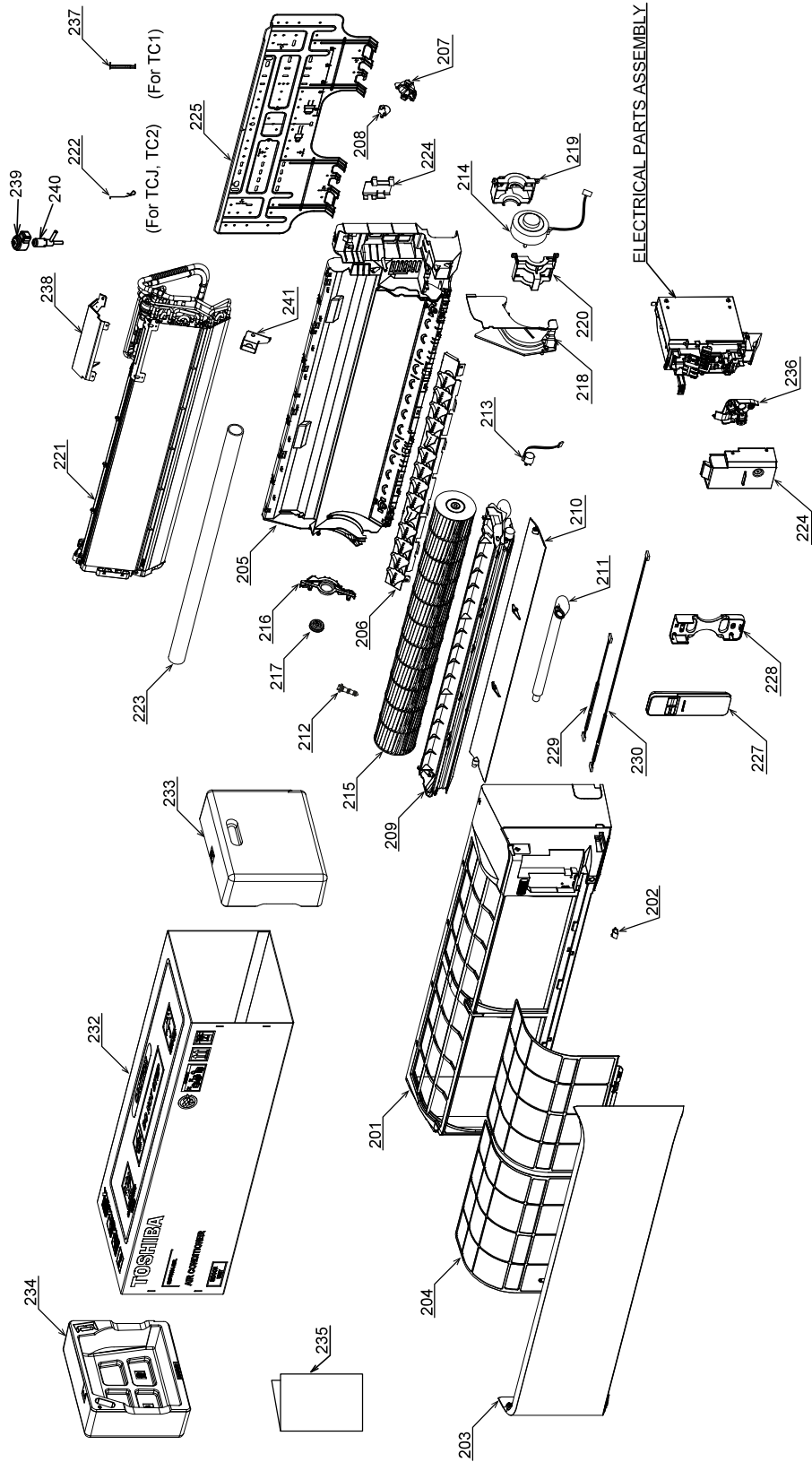
### <High wall type>

MMK-UP0031HP-E(TR)  
 MMK-UP0051HP-E(TR)  
 MMK-UP0071HP-E(TR)  
 MMK-UP0091HP-E(TR)  
 MMK-UP0121HP-E(TR)  
 MMK-UP0151HP-E(TR)  
 MMK-UP0181HP-E(TR)  
 MMK-UP0241HP-E(TR)  
 MMK-UP0031HPL-E(TR)  
 MMK-UP0051HPL-E(TR)  
 MMK-UP0071HPL-E(TR)  
 MMK-UP0091HPL-E(TR)  
 MMK-UP0121HPL-E(TR)  
 MMK-UP0151HPL-E(TR)  
 MMK-UP0181HPL-E(TR)  
 MMK-UP0241HPL-E(TR)

### 3-7. High wall type MMK-UP\*\*\*\*HP-E(TR)

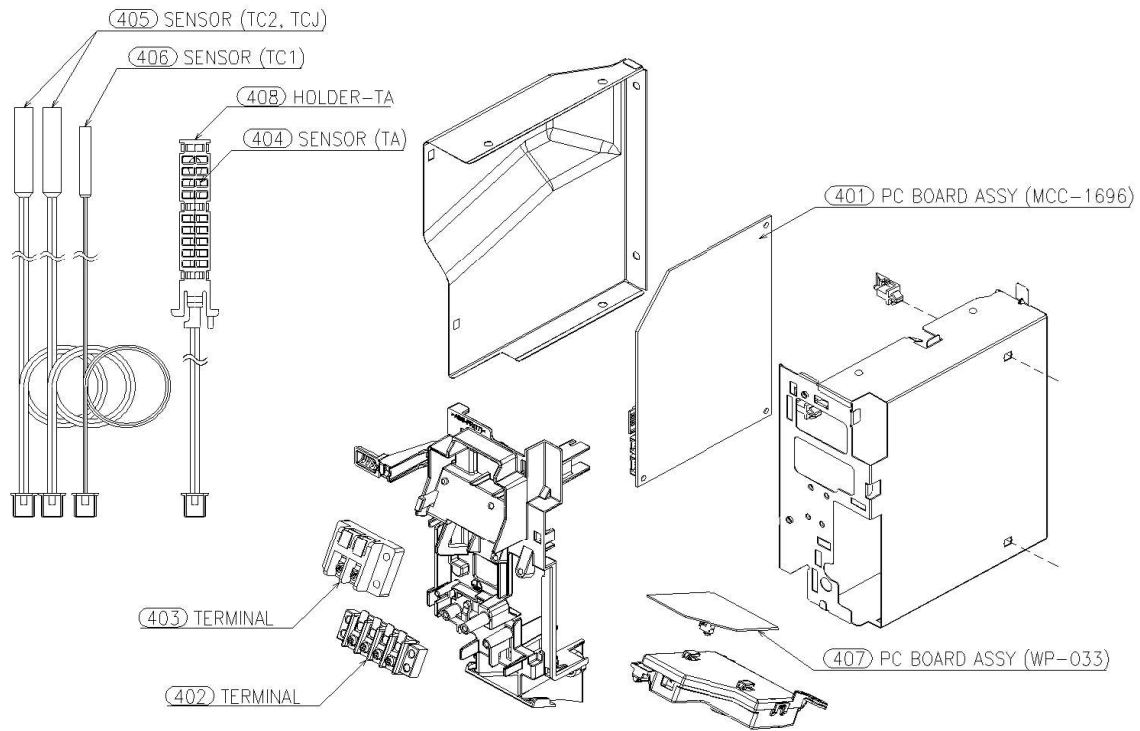


MMK-UP0151HP-E(TR), MMK-UP0181HP-E(TR), MMK-UP0241HP-E(TR)



Location No.	Part No.	Description	Model name MMK-UP		
			0151HP-E(TR)	0181HP-E(TR)	0241HP-E(TR)
201	43T00805	FRONT PANEL ASSY	1	1	1
202	43T00752	CAP SCREW ASSEMBLY	2	2	2
203	43T09554	GRILLE OF AIR INLET ASSY	1	1	1
204	43T80358	AIR FILTER	2	2	2
205	43T03414	BACK BODY ASSY	1	1	1
206	43T22360	VERTICAL LOUVER ASSY	1	1	1
209	43T72346	DRAIN PAN ASSY	1	1	1
210	43T22354	HORIZONTAL LOUVER	1	1	1
211	43T70321	DRAIN HOSE	1	1	1
212	43T79322	DRAIN CAP	1	1	1
213	43T21478	MOTOR; STEPPING	1	1	1
214	43T21471	MOTOR FAN	1	1	1
215	43T20357	CROSS FLOW FAN ASSY	1	1	1
216	43T39385	BASE BEARING	1	1	1
217	43T22312	BEARING ASSY, MOLD	1	1	1
218	43T39384	MOTOR COVER	1	1	1
219	43T39381	MOTOR BAND BACK	1	1	1
220	43T39382	MOTOR BAND FRONT	1	1	1
221	43T44700	REFRIGERATION CYCLE ASSY	1	1	-
221	43T44701	REFRIGERATION CYCLE ASSY	-	-	1
222	43T19333	HOLDER, SENSOR	2	2	2
223	43T49045	PIPE, SHIELD	1	1	1
224	43T49043	HOLDER, PIPE	1	1	1
225	43T82008	PLATE, INSTALLATION	1	1	1
226	43T62364	TERMINAL COVER ASSY	1	1	1
227	43T66324	WIRELESS REMOCO	1	1	1
228	43T83305	HOLDER, REMOTE CONTROL	1	1	1
232	43T91333	PACKING SLEEVE	1	1	1
233	43T91334	PACKING CUSHION RIGHT	1	1	1
234	43T91335	PACKING CUSHION LEFT	1	1	1
235	43T85805	OWNER'S MANUAL	1	1	1
236	43T62365	CLAMP BASE ASSY	1	1	1
237	43T19321	FIX-P-SENSOR	1	1	1
238	43T04378	PMV COVER ASSEMBLY	1	1	1
239	43T46519	COIL, PMV	1	1	1
240	43T46518	BODY, PMV	1	1	1
241	43T63377	PLATE-HOLDER-SENSOR	1	1	1
242	43T91392	REINFORCEMENT FIBERBOARD ASSY	1	1	1

## Electric Parts



Location No.	Part No.	Description	Model name		
			0151 HP,HPL-E(TR)	0181 HP,HPL-E(TR)	0241 HP,HPL-E(TR)
401	43T6W956	PC BOARD ASSY	1	1	1
402	43T60448	TERMINAL	1	1	1
403	43T60078	TERMINAL BLOCK	1	1	1
404	43T50392	SENSOR,THERMOSTAT	1	1	1
405	43T50304	SENSOR;HEAT EXCHANGER	1	1	1
406	43T50317	SENSOR;HEAT EXCHANGER	1	1	1
407	43T6V932	PC BOARD ASSY	1	1	1
408	43T63356	HOLDER-TA	1	1	1