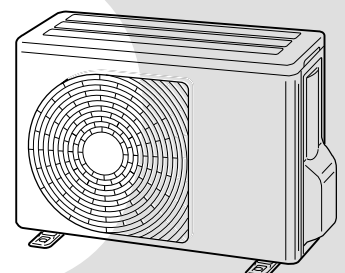
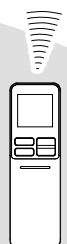
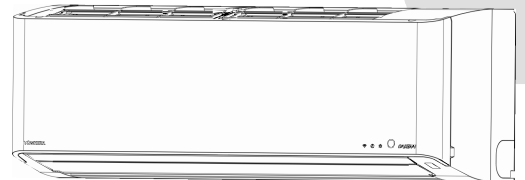


TOSHIBA**SERVICE MANUAL****AIR-CONDITIONER****SPLIT TYPE****Indoor Unit**

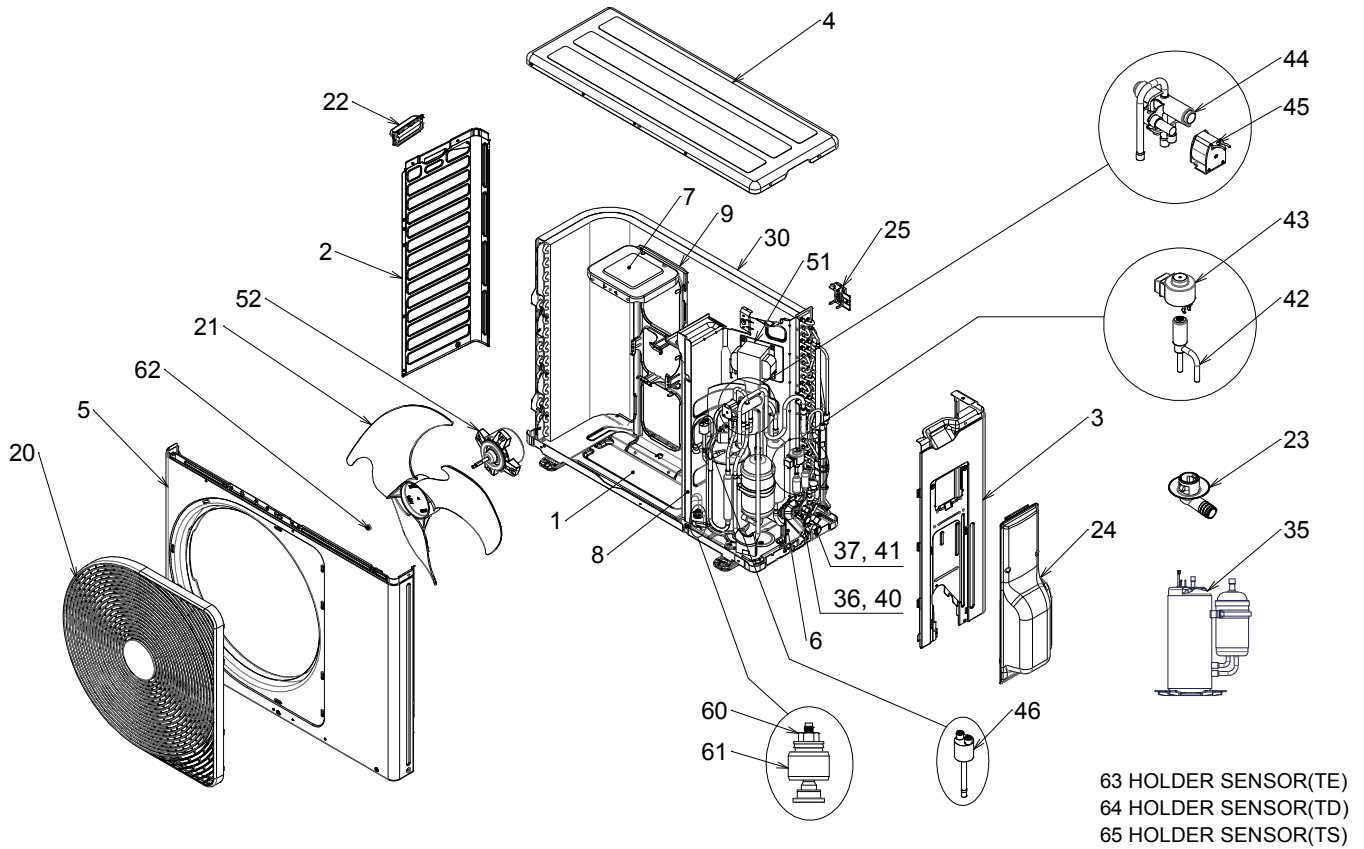
<High Wall, Heat Pump Type>

RAS-10PKVPG-E***RAS-13PKVPG-E******RAS-16PKVPG-E******RAS-10PKVPG-NZ******RAS-13PKVPG-NZ******RAS-16PKVPG-NZ*****Outdoor Unit**

<Heat Pump Type>

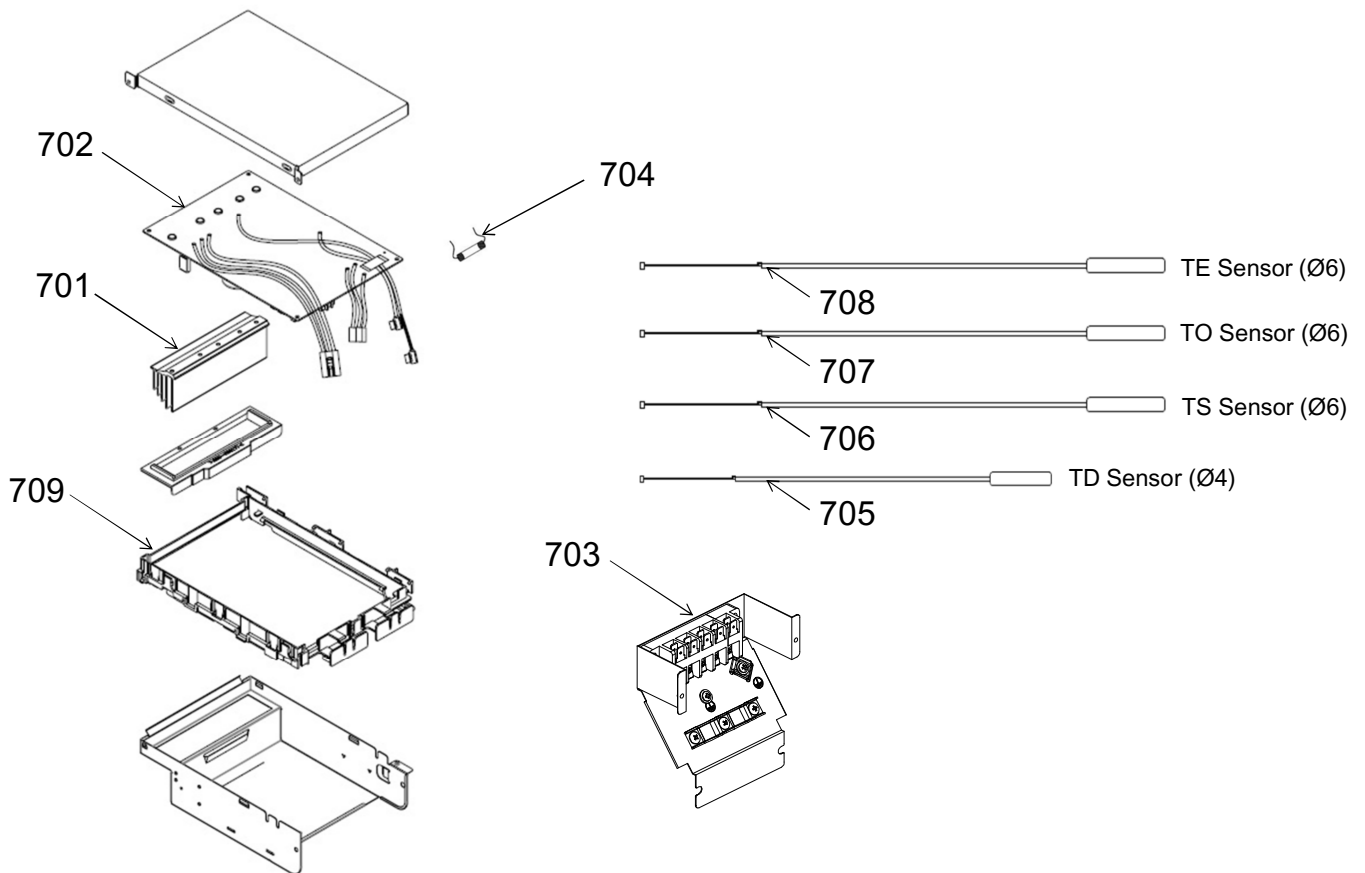
RAS-10PAVPG-E***RAS-13PAVPG-E******RAS-16PAVPG-E******RAS-10PAVPG-NZ******RAS-13PAVPG-NZ******RAS-16PAVPG-NZ*****R32****INVERTER**

13-3. Outdoor Unit



| Location No. | Part No. | Description | Location No. | Part No. | Description |
|--------------|----------|--|--------------|----------|--|
| 1 | 43T42345 | BASE PLATE ASSEMBLY | 40 | 43T46502 | VALVE ; PACKED 6.35 DIA |
| 2 | 43T00560 | LEFT CABINET | 41 | 43T46503 | VALVE; PACKED 9.52 DIA (RAS-10,13PAVPG-E,-NZ) |
| 3 | 43T00719 | RIGHT SIDE CABINET ASSEMBLY | 41 | 43T46507 | VALVE; PACKED 12.7 DIA (RAS-16PAVPG-E,-NZ) |
| 4 | 43T00561 | UPPER CABINET | 42 | 43T46347 | BODY PMV |
| 5 | 43T00718 | FRONT CABINET | 43 | 43T63329 | COIL PMV |
| 6 | 43T00448 | FIXING PLATE VALVE | 44 | 43T46375 | 4 WAY VALVE |
| 7 | 43T39341 | MOTOR BASE CONNECTION PLATE | 45 | 43T63337 | 4 WAY VALVE COIL ASSEMBLY |
| 8 | 43T04376 | PARTITION ASSEMBLY | 46 | 43T63369 | SWITCH, PRESSURE |
| 9 | 43T39374 | MOTOR BASE | 51 | 43T58309 | REACTOR |
| 20 | 43T19371 | FAN GUARD | 52 | 43T21375 | FAN MOTOR |
| 21 | 43T20331 | PROPELLER FAN | 60 | 43T97001 | NUT |
| 22 | 43T19350 | HANDLE | 61 | 43T49335 | RUBBER CUSHION |
| 23 | 43T79305 | DRAIN NIPPLE | | 43T47001 | NUT FLANGE |
| 24 | 43T00691 | PACKED VALVE COVER ASSEMBLY | 63 | 43T63318 | HOLDER SENSOR |
| 25 | 43T63319 | HOLDER,SENSOR | 64 | 43T63317 | HOLDER,SENSOR |
| 30 | 43T43583 | CONDENSER ASSEMBLY | 65 | 43T63316 | HOLDER,SENSOR |
| 35 | 43T41542 | COMP-ASSY(RAS-10PAVPG-E,-NZ) | 70 | 43T91336 | CARTON-BOX |
| 35 | 43T41527 | COMPRESSOR (RAS-13,16PAVPG-E,-NZ) | 71 | 43T91338 | FIBERBOARD UNDER ASSEMBLY |
| 36 | 43T47403 | BONNET, 6.35 DIA | 72 | 43T91337 | CUSHION PACKING UPPER |
| 37 | 43T47404 | BONNET, 9.52 DIA (RAS-10,13PAVPG-E,-NZ) | 73 | 43T91301 | PE SHEET |
| 37 | 43T47405 | BONNET, 12.7 DIA (RAS-16PAVPG-E,-NZ) | | | |

13-4. P.C. Board Layout



| Location No. | Part No. | Description | Location No. | Part No. | Description |
|--------------|----------|-----------------------------|--------------|----------|--------------------|
| 701 | 43T62351 | HEATSINK | 705 | 43T50369 | TEMPERATURE SENSOR |
| 702 | 43T6W367 | PC BOARD(RAS-10PAVPG-E,-NZ) | 706 | 43T50336 | TEMPERATURE SENSOR |
| 702 | 43T6W368 | PC BOARD(RAS-13PAVPG-E,-NZ) | 707 | 43T50370 | TEMPERATURE SENSOR |
| 702 | 43T6W369 | PC BOARD(RAS-16PAVPG-E,-NZ) | 708 | 43T50371 | TEMPERATURE SENSOR |
| 703 | 43T60392 | TERMINAL-5P | 709 | 43T62313 | PC PLATE BASE |
| 704 | 43T60326 | FUSE | | | |