

# TOSHIBA

AIR CONDITIONER (MULTI TYPE)

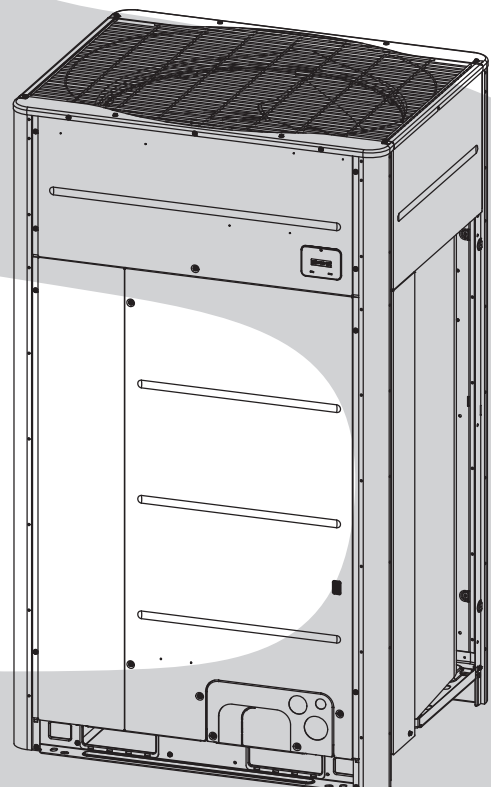
## SERVICE MANUAL

< Super Modular Multi System-u SMMS-u >

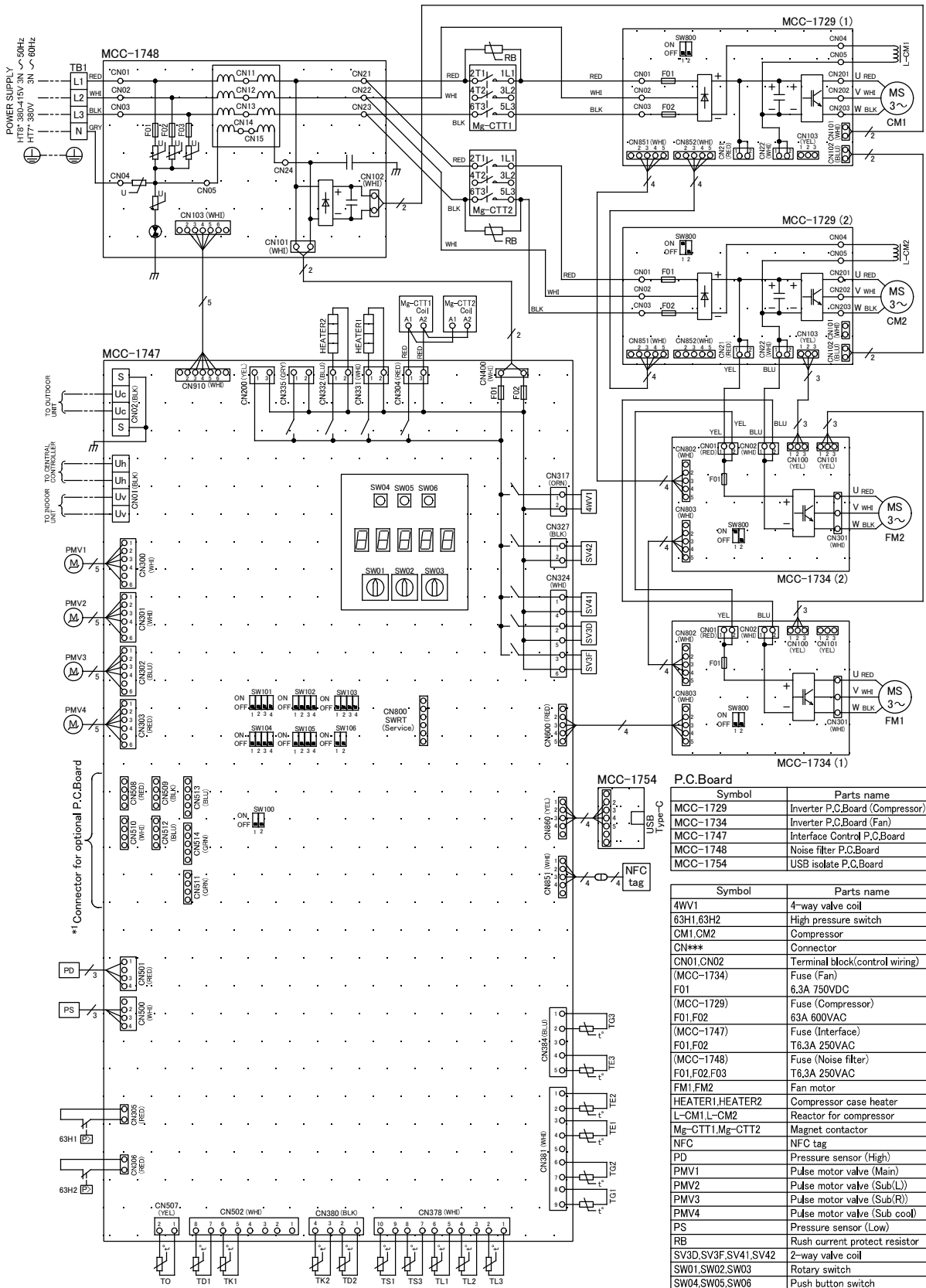
Outdoor

MMY-MUP0801HT8(J)P-E  
MMY-MUP1001HT8(J)P-E  
MMY-MUP1201HT8(J)P-E  
MMY-MUP1401HT8(J)P-E  
MMY-MUP1601HT8(J)P-E  
MMY-MUP1801HT8(J)P-E  
MMY-MUP2001HT8(J)P-E  
MMY-MUP2201HT8(J)P-E  
MMY-MUP2401HT8(J)P-E

MMY-MUP0801HT8(J)P-TR  
MMY-MUP1001HT8(J)P-TR  
MMY-MUP1201HT8(J)P-TR  
MMY-MUP1401HT8(J)P-TR  
MMY-MUP1601HT8(J)P-TR  
MMY-MUP1801HT8(J)P-TR  
MMY-MUP2001HT8(J)P-TR  
MMY-MUP2201HT8(J)P-TR  
MMY-MUP2401HT8(J)P-TR



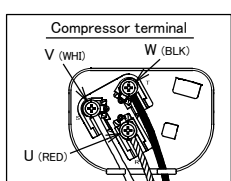
22, 24HP Model: MMY-MUP2201\*, MUP2401\*



\*1 The installation of the optional board is up to four pieces.

	Field wiring
	Protective earth
	Terminal block
	Terminal
	Connector
	P.C. Board

Color indication	
RED	RED
WHL	WHITE
YEL	YELLOW
BLU	BLUE
BLK	BLACK
GRY	GRAY
ORN	ORN-ORANGE
GRN	GRN-GREEN

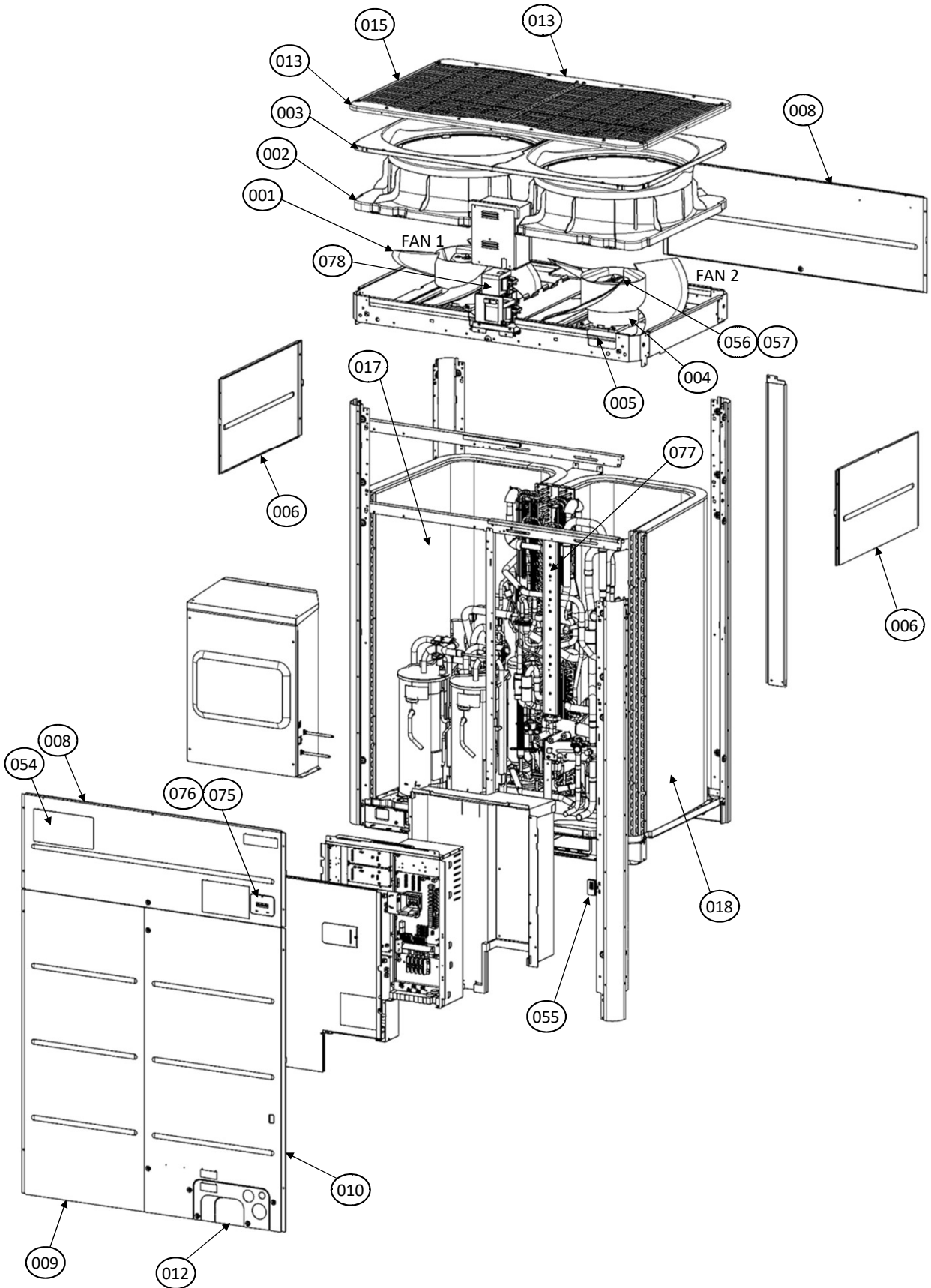


Symbol	Parts name
MCC-1729	Inverter P.C.Board (Compressor)
MCC-1734	Inverter P.C.Board (Fan)
MCC-1747	Interface Control P.C.Board
MCC-1748	Noise filter P.C.Board
MCC-1754	USB isolate P.C.Board

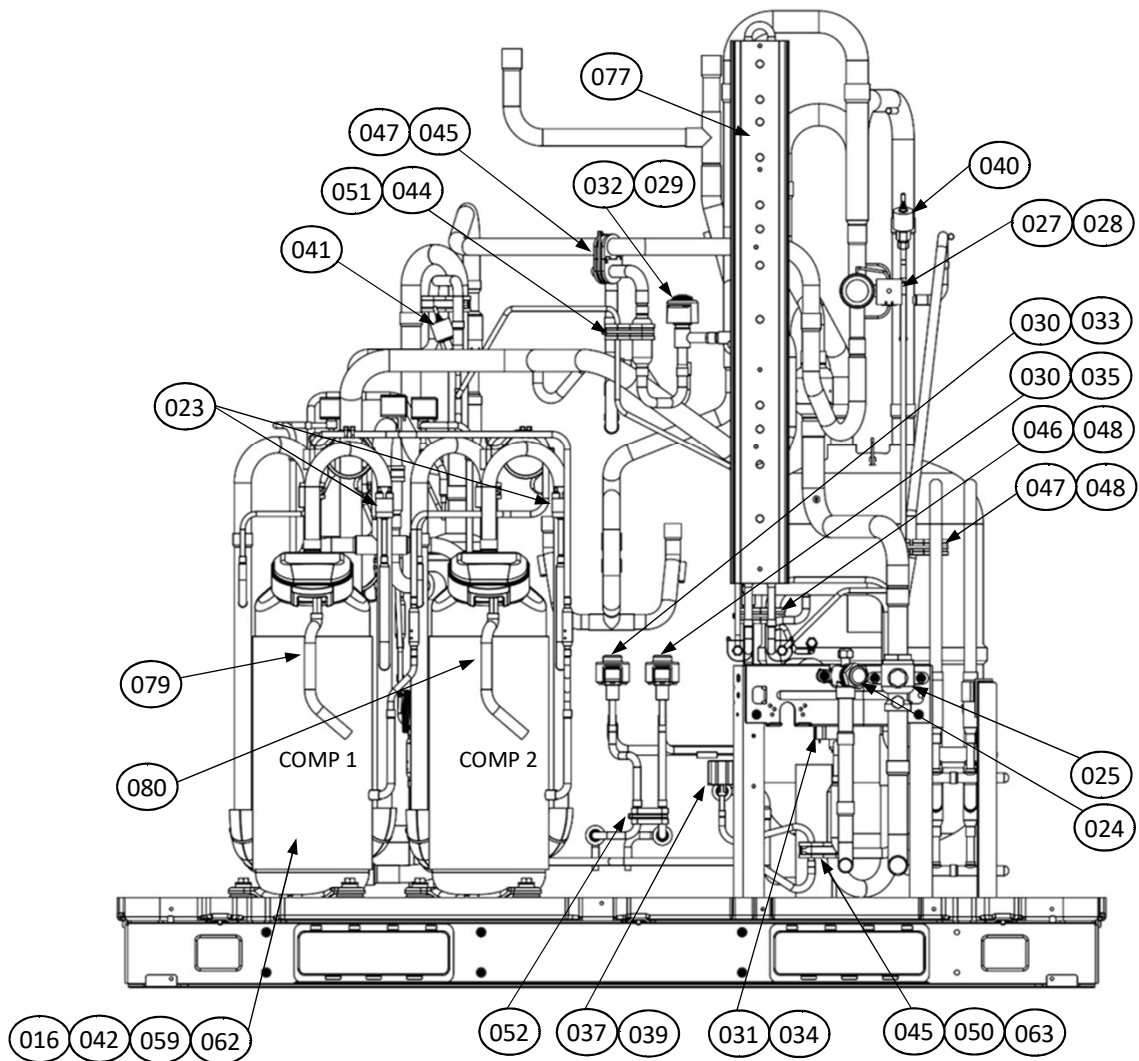
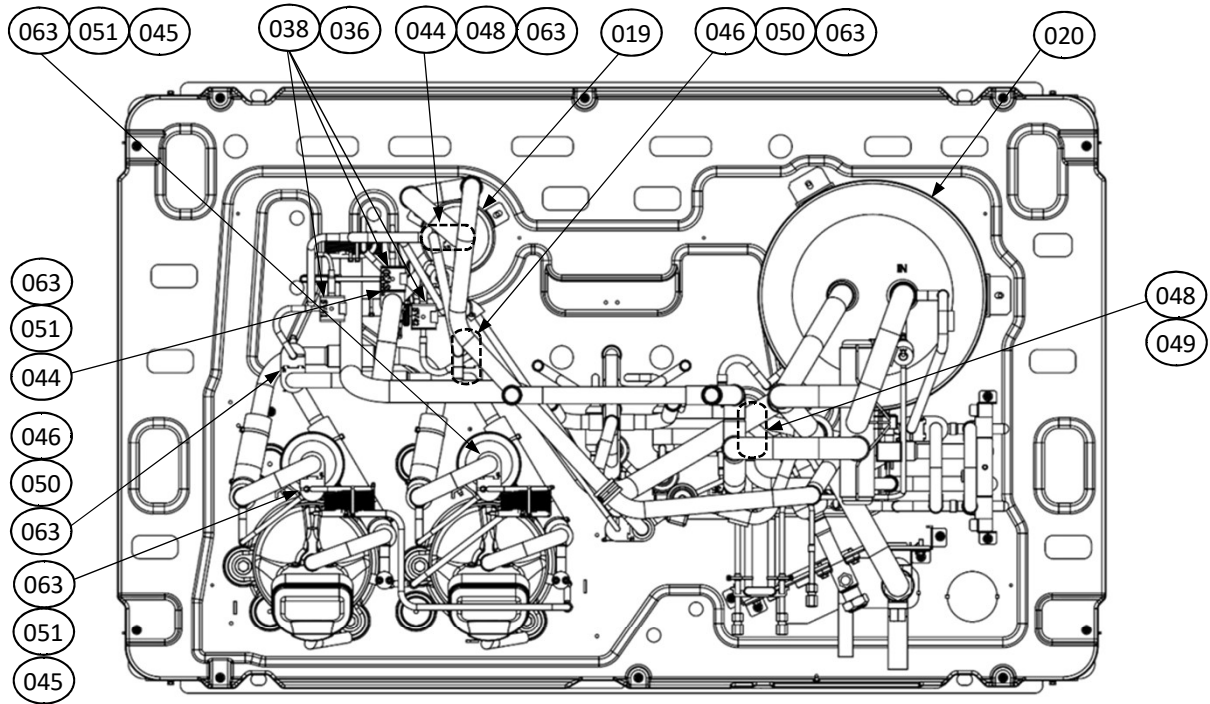
Symbol	Parts name
4WV1	4-way valve coil
63H1,63H2	High pressure switch
CM1,CM2	Compressor
CN***	Connector
CN01,CN02	Terminal block(control wiring)
(MCC-1734)	Fuse (Fan)
F01	6.3A 750VDC
(MCC-1729)	Fuse (Compressor)
F01,F02	63A 600VAC
(MCC-1747)	Fuse (Interface)
F01,F02	T6.3A 250VAC
(MCC-1748)	Fuse (Noise filter)
F01,F02,F03	T6.3A 250VAC
FM1,FM2	Fan motor
HEATER1,HEATER2	Compressor case heater
L-CM1,L-CM2	Reactor for compressor
Mg-CTT1,Mg-CTT2	Magnet contactor
NFC	NFC tag
PD	Pressure sensor (High)
PMV1	Pulse motor valve (Main)
PMV2	Pulse motor valve (Sub/L)
PMV3	Pulse motor valve (Sub/R)
PMV4	Pulse motor valve (Sub cool)
PS	Pressure sensor (Low)
RB	Rush current protect resistor
SV3D,SV3F,SV41,SV42	2-way valve coil
SW01,SW02,SW03	Rotary switch
SW04,SW05,SW06	Push button switch
SW100,SW101,SW102,SW103	Dip switch
SW104,SW105,SW106	Terminal block(Power supply)
TB1	Terminal block
TD1,TD2	Discharge temp. sensor
TE1,TE2,TE3	Heat exchange temp. sensor
TG1,TG2,TG3	Gas temp. sensor
TK1,TK2	Oil temp. sensor
TL1,TL2,TL3	Liquid temp. sensor
TO	Air temp. sensor
TS1,TS3	Suction temp. sensor

### 14-3. Outdoor unit (22, 24HP)

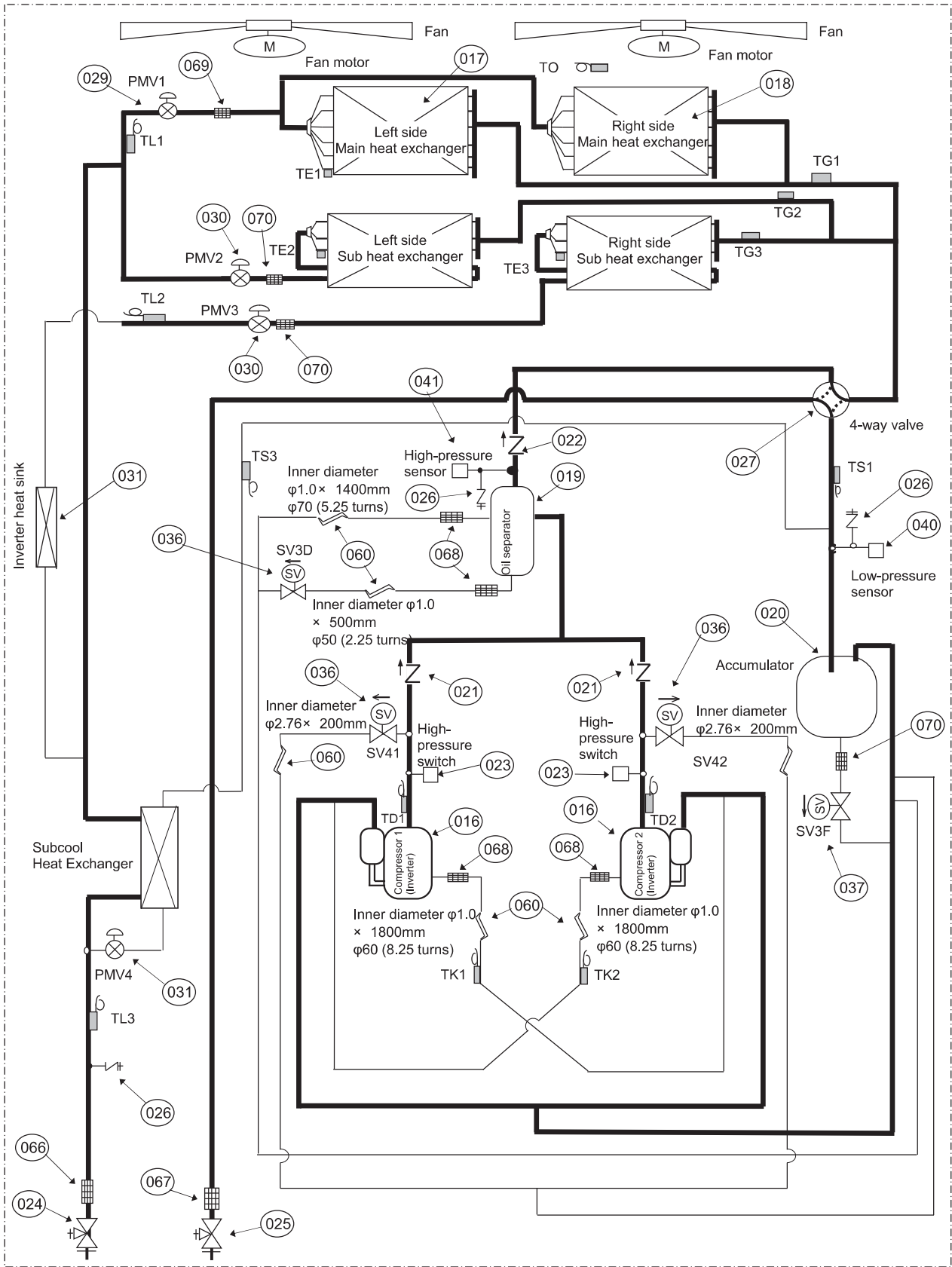
MMY-MUP2201\*  
MMY-MUP2401\*



For MMY-MUP2201\*, MMY-MUP2401\* model



**Outdoor Unit (22, 24HP)**  
**Model: MMY-MUP2201\*, MUP2401\***



Liquid side Service valve      Gas side Service valve

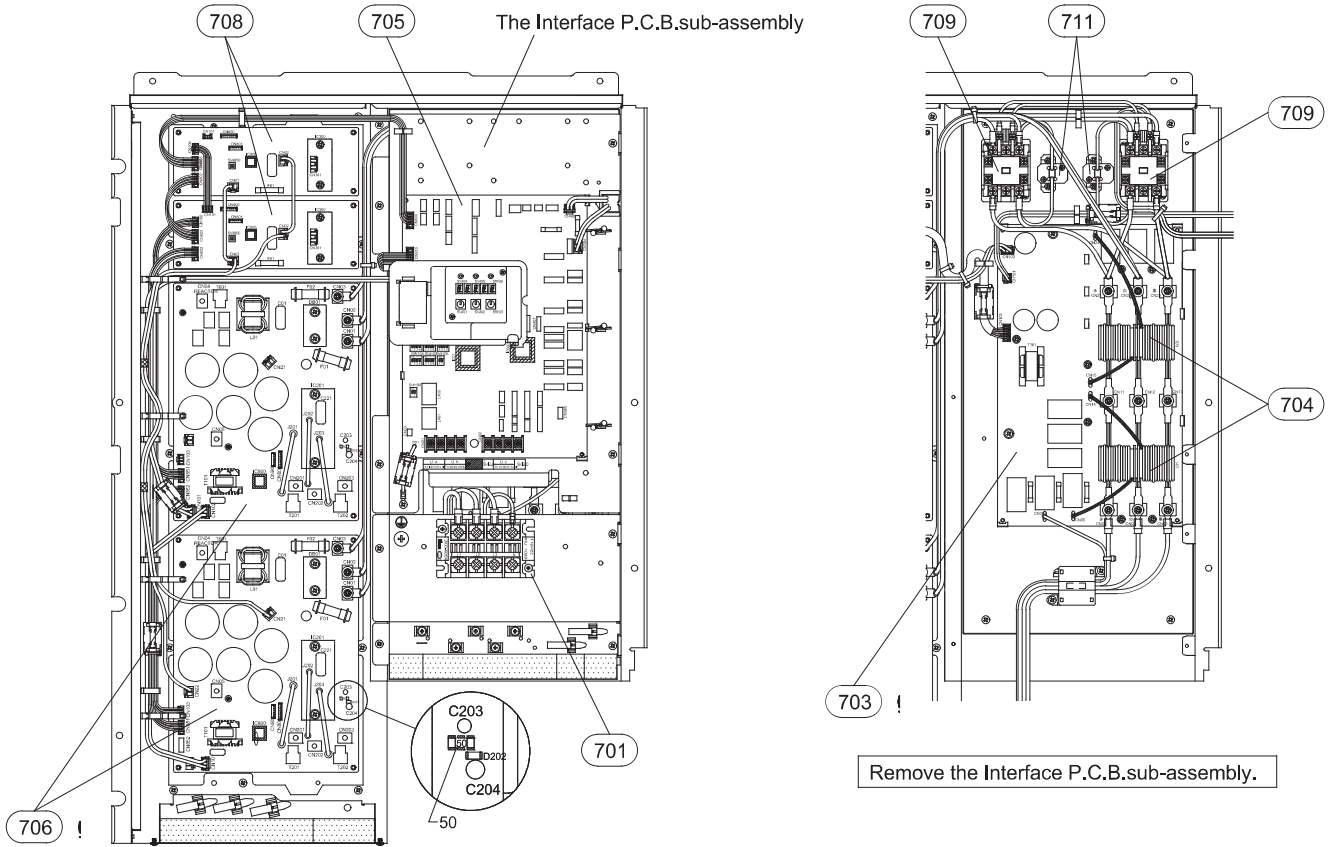
Symbol						
Solenoid valve	Capillary tube	Check valve	Check joint	Strainer	Temperature sensor	Distributor

Ref. No.	Part No.	Description	Q'ty/Set MMY-MUP								
			0801*	1001*	1201*	1401*	1601*	1801*	2001*	2201*	2401*
001	43T20341	FAN-PR(P5741-T)	1	1	1	1					
001	43T20359	FAN-PR(PF581-T)					2	2	2	2	2
002	43T19374	BELLMOUTH	1	1	1	1					
002	43T19375	BELLMOUTH					2	2	2	2	2
003	43T19376	COVER-BELLMOUTH	1	1	1	1					
003	43T19377	COVER-BELLMOUTH					2	2	2	2	2
004	43T20360	ASM-COAT-FAN-M	1	1	1	1	2	2	2	2	2
005	43T00817	ASM-C-BASE-MOT	1	1	1	1	2	2	2	2	2
006	43T00811	ASM-C-PL-SIDE-U	2	2	2	2	2	2	2	2	2
007	43T00812	ASM-C-CABI-UP	1	1	1	1					
007	43T00819	ASM-C-CABI-UP					1	1	1	1	1
008	43T00813	ASM-C-CABI-UP	1	1	1	1					
008	43T00820	ASM-C-CABI-UP					1	1	1	1	1
009	43T00814	ASM-C-CABI-L	1	1	1	1					
009	43T00815	ASM-C-CABI-L					1	1	1	1	1
010	43T00818	ASM-HINS-CABI-R	1	1	1	1	1	1	1	1	1
011	43T00816	ASM-C-PL-SIDE-R	1	1	1	1					
012	43T00810	ASM-C-P-SERV	1	1	1	1	1	1	1	1	1
013	43T00808	ASM-C-PLATE-UP	2	2	2	2					
013	43T00809	ASM-C-PLATE-UP					2	2	2	2	2
015	43T19378	GUARD-FAN	1	1	1	1					
015	43T19379	GUARD-FAN					2	2	2	2	2
016	43T41559	ASM-COMP-S	1	1	1	1					
016	43T41560	ASM-COMP-S							2	2	
016	43T41561	ASM-COMP-S					1	1	1		
017	43T43644	ASM-HE	1	1	1	1					
017	43T43645	ASM-HE-L					1	1			
017	43T43646	ASM-HE-L						1	1	1	
018	43T43647	ASM-HE-R					1	1			
018	43T43648	ASM-HE-R						1	1	1	
019	43T48314	ASM-SEPA-OIL	1	1	1	1					
019	43T48325	ASM-SEPA-OIL					1	1	1	1	1
020	43T48328	ASM-ACCUM-S	1	1	1	1					
020	43T48326	ASM-ACCUM-S					1	1	1		
020	43T48327	ASM-ACCUM-S							1	1	
021	43T46445	CHECKVALVE	1	1	1	1				2	2
022	43T46446	CHECKVALVE					1	1	1	1	1
023	43T63388	SW-PRESS	1	1	1	1	1	1	1	2	2
024	43T46522	PACKEDVALVE	1	1	1	1					
024	43T46520	PACKEDVALVE					1	1	1		
024	43T46521	PACKEDVALVE								1	1
025	43T46393	VALVE-BALL	1	1	1	1	1	1	1	1	1
026	43T46409	JOINT-CHECK	3	3	3	3	3	3	3	3	3
027	43T46452	VALVE-4WAY	1	1	1	1	1	1	1	1	1
028	43T46523	COIL-V-4WAY(HT8P*)	1	1	1	1	1	1	1	1	1
029	43T46447	BODY-PMV	1	1	1	1	1	1	1	1	1
030	43T46394	BODY-PMV	1	1	1	1	2	2	2	2	2
031	43T46439	BODY-PMV	1	1	1	1	1	1	1	1	1
032	43T46525	COIL-PMV	1	1	1	1	1	1	1	1	1
033	43T46526	ASM-COIL-PMV-S	1	1	1	1	1	1	1	1	1
034	43T46451	COIL-PMV	1	1	1	1	1	1	1	1	1
035	43T46532	ASM-COIL-PMV-S					1	1	1	1	1
036	43T46408	VALVE-2WAY	2	2	2	2	2	2	2	3	3
037	43T46527	VALVE-2WAY	1	1	1	1	1	1	1	1	1
038	43T46528	ASM-2WAY-COIL-S (HT8P*)	2	2	2	2	2	2	2	3	3
039	43T46530	COIL-V-2WAY (HT8P*)	1	1	1	1	1	1	1	1	1
040	43T50401	ASM-P-SENSOR-S	1	1	1	1	1	1	1	1	1
041	43T50402	ASM-P-SENSOR-S	1	1	1	1	1	1	1	1	1
042	43T57311	HEATER	1	1	1	1				2	2
043	43T57312	HEATER					1	1	1		

Ref. No.	Part No.	Description	Q'ty/Set MMY-MUP								
			0801*	1001*	1201*	1401*	1601*	1801*	2001*	2201*	2401*
044	43T49348	RUB-P-SUPPORTER					1	1	1	3	3
045	43T49349	RUB-P-SUPPORTER					5	5	5	4	4
046	43T49350	RUB-P-SUPPORTER	2	2	2	2				3	3
047	43T49351	RUB-P-SUPPORTER					3	3	3	2	2
048	43T49352	RUB-P-SUPPORTER	2	2	2	2	4	4	4	4	4
049	43T49353	RUB-P-SUPPORTER	1	1	1	1	1	1	1	1	1
050	43T49354	RUB-P-SUPPORTER	1	1	1	1	1	1	1	3	3
051	43T49355	RUB-P-SUPPORTER	2	2	2	2	3	3	3	4	4
052	43T49376	RUB-P-SUPPORTER	1	1	1	1					
052	43T49347	RUB-P-SUPPORTER					1	1	1	1	1
053	43T49377	RUB-P-SUPPORTER	1	1	1	1	1	1	1		
054	43T01333	MARK-T(SMMS-U)	1	1	1	1	1	1	1	1	1
055	43T19380	HOLDER-SENSOR	1	1	1	1	1	1	1	1	1
056	43T39351	NUT-FLANGE	1	1	1	1	2	2	2	2	2
057	43T39350	SQUARE-WASHER	1	1	1	1	2	2	2	2	2
059	43T49357	RUB-VINS	3	3	3	3				6	6
059	43T49387	RUB CUSHION					4	4	4		
060	43T47375	CAPI	1	1	1	1	1	1	1	1	1
061	43T19333	FIX-P-SENSOR	12	12	12	12	14	14	14	16	16
062	43T47385	BOLT-COMP(M6)	3	3	3	3				6	6
062	43T47415	BOLT-COMP(M6)					4	4	4		
063	43T49358	FIX-BAND	3	3	3	3	5	5	5	7	7
064	43T85796	COPY-MANUAL(HT8P-E)	1	1	1	1	1	1	1	1	1
	43T85797	COPY-MANUAL(HT8P-TR)									
065	43T47394	STRAINER	1	1	1	1					
066	43T47417	STRAINER								1	1
067	43T47395	STRAINER					1	1	1	1	1
068	43T47388	STRAINER	3	3	3	3	3	3	3	4	4
069	43T47390	STRAINER	3	3	3	3	1	1	1	1	1
070	43T47414	STRAINER	1	1	1	1	3	3	3	3	3
072	43T47416	STRAINER					1	1	1		
073	43T48329	ASM-SCREW-S	1	1	1	1	1	1	1	1	1
074	43T48330	ASM-SCREW-S	1	1	1	1	1	1	1	1	1
075	43T6W841	ASM-NFC	1	1	1	1	1	1	1	1	1
076	43T63389	HOLDER(NFC)	1	1	1	1	1	1	1	1	1
077	43T67314	ASM-HEATSINK	1	1	1	1					
077	43T67312	ASM-HEATSINK								1	1
077	43T67313	ASM-HEATSINK					1	1	1		
078	43158248	REACTOR(CH-105)	1	1	1	1	1	1	1	2	2
079	43T60534	ASM-COMP-LEAD					1	1	1	1	1
080	43T60535	ASM-COMP-LEAD	1	1	1	1				1	1
081	43T55375	CLAMP-FILTER	2	2	2	2	3	3	3	4	4
083	43T50403	ASM-SENSOR	1	1	1	1	1	1	1	1	1
084	43T50404	ASM-SENSOR								1	1
085	43T50405	ASM-SENSOR	1	1	1	1	1	1	1	1	1
086	43T50406	ASM-SENSOR					1	1	1	1	1
087	43T50407	ASM-SENSOR	1	1	1	1	1	1	1	1	1

# Inverter Assembly

Model : MMY-MUP2201\*, 2401\*



Ref. No.	Part No.	Description	Q'ty/Set
701	43T60437	TERMINAL(75A)	1
703	43T6W889	ASM-S-PCB(N/F)	1
704	43T55376	LINE-FILTER	2
705	43T6W891	ASM-S-PCB(I/F)	1
706	43T6W892	ASM-S-PCB(COMP)	2
708	43T6W894	ASM-S-PCB(FAN)	2
709	43T52320	MAG-CONTACTOR	2
711	43T50345	THERMISTOR(PTC)	2



# Toshiba Carrier (Thailand) Co., Ltd.

144 / 9 Moo 5, Bangkadi Industrial Park, Tivanon Road, Tambol Bangkadi, Amphur Muang, Pathumthani 12000, Thailand