

AIR CONDITIONER (MULTI TYPE)

SERVICE MANUAL

Indoor unit

<Compact 4-way cassette type>

MMU-UP0051MH-E(TR)
MMU-UP0071MH-E(TR)
MMU-UP0091MH-E(TR)
MMU-UP0121MH-E(TR)
MMU-UP0151MH-E(TR)
MMU-UP0181MH-E(TR)

<2-way cassette type>

MMU-UP0071WH-E(TR)
MMU-UP0091WH-E(TR)
MMU-UP0121WH-E(TR)
MMU-UP0151WH-E(TR)
MMU-UP0181WH-E(TR)
MMU-UP0241WH-E(TR)
MMU-UP0271WH-E(TR)
MMU-UP0301WH-E(TR)
MMU-UP0361WH-E(TR)
MMU-UP0481WH-E(TR)
MMU-UP0561WH-E(TR)

<1-way cassette type>

MMU-UP0151SH-E(TR)
MMU-UP0181SH-E(TR)
MMU-UP0241SH-E(TR)

<Floor standing cabinet type>

MML-UP0071H-E(TR)
MML-UP0091H-E(TR)
MML-UP0121H-E(TR)
MML-UP0151H-E(TR)
MML-UP0181H-E(TR)
MML-UP0241H-E(TR)

<Floor standing concealed type>

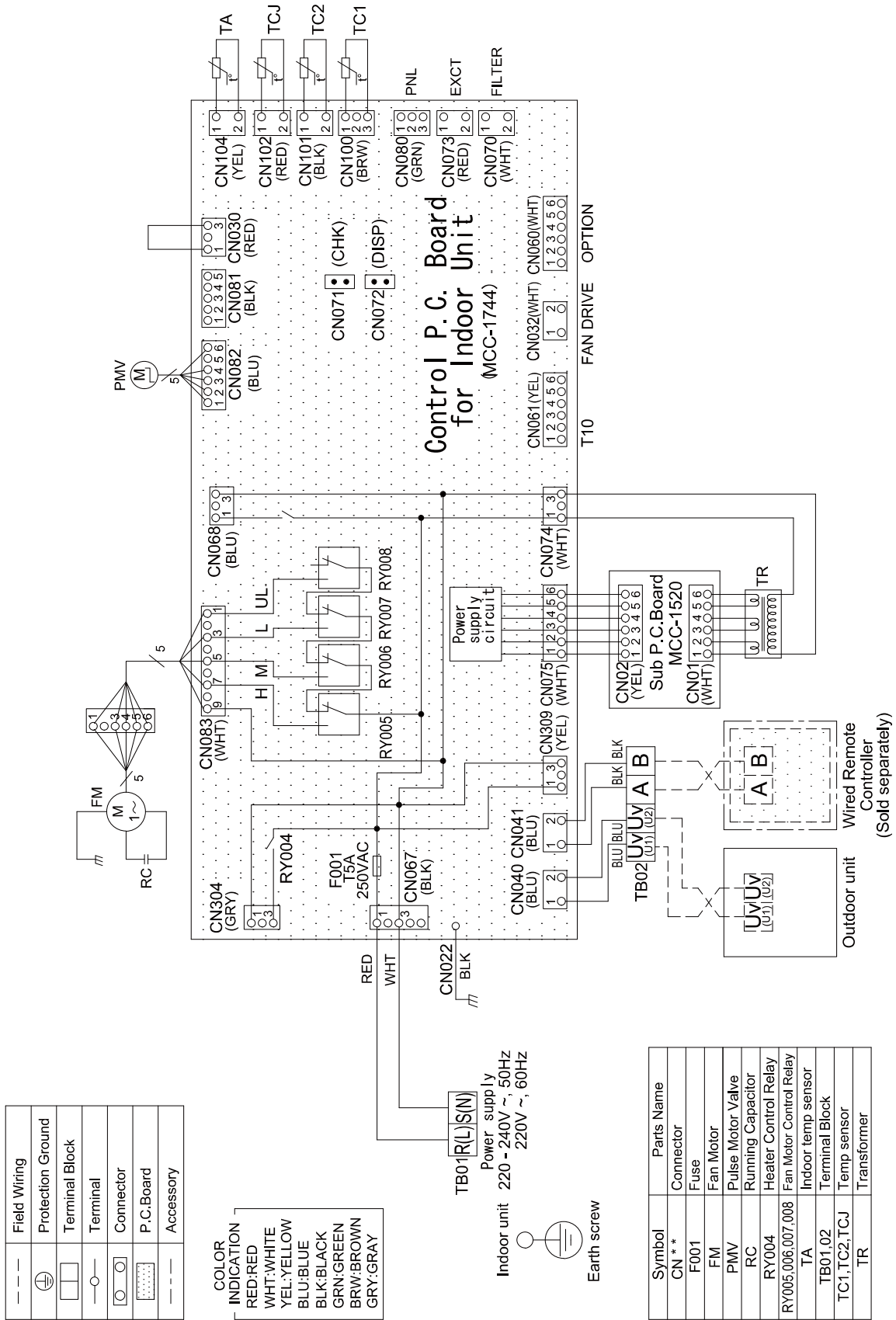
MML-UP0071BH-E(TR)
MML-UP0091BH-E(TR)
MML-UP0121BH-E(TR)
MML-UP0151BH-E(TR)
MML-UP0181BH-E(TR)
MML-UP0241BH-E(TR)

<Floor standing type>

MMF-UP0151H-E(TR)
MMF-UP0181H-E(TR)
MMF-UP0241H-E(TR)
MMF-UP0271H-E(TR)
MMF-UP0361H-E(TR)
MMF-UP0481H-E(TR)
MMF-UP0561H-E(TR)

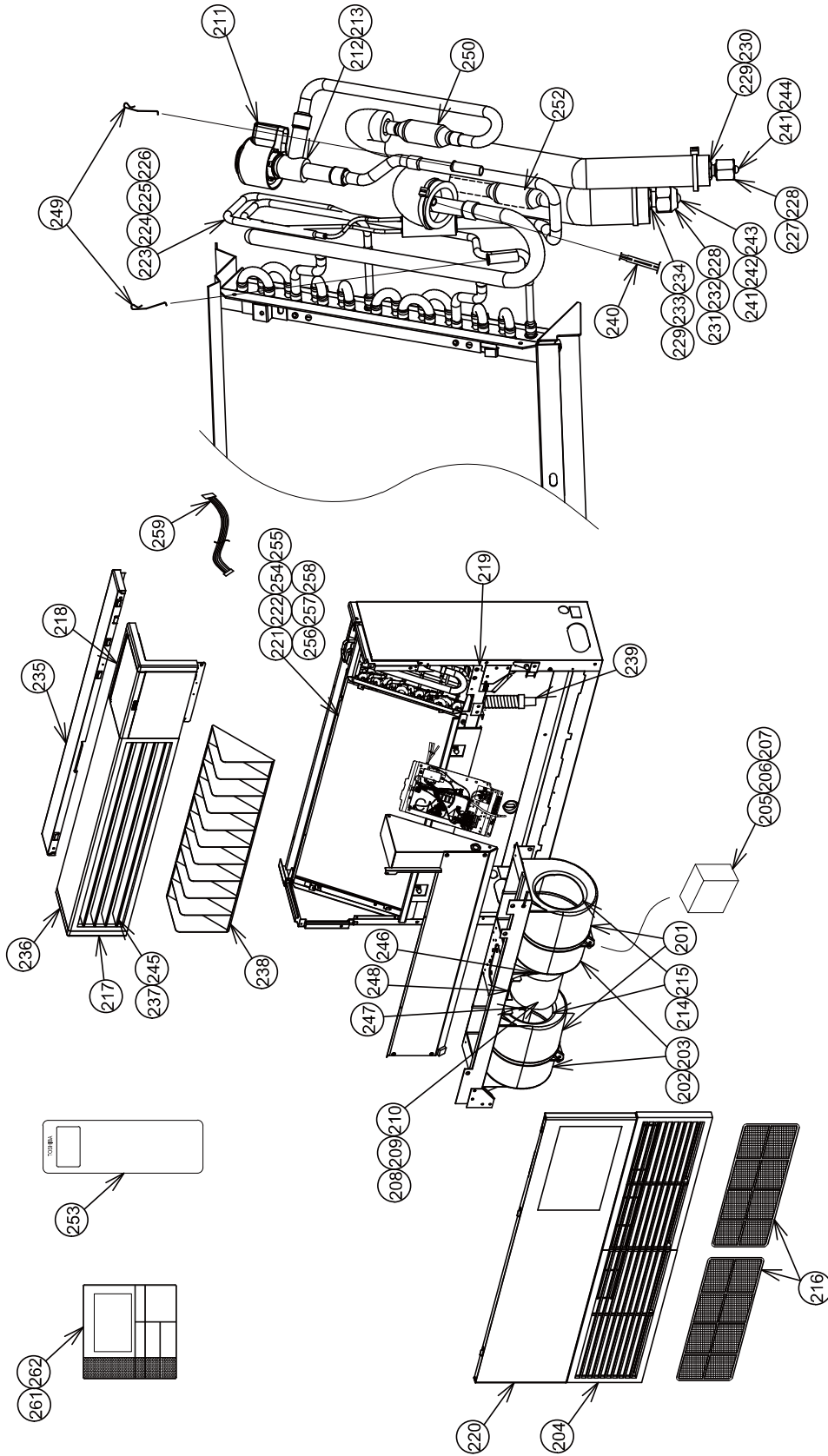
3-4. Floor standing cabinet type

MML-UP0071H-E(TR), UP0091H-E(TR), UP0121H-E(TR), UP0151H-E(TR), UP0181H-E(TR), UP0241H-E(TR)



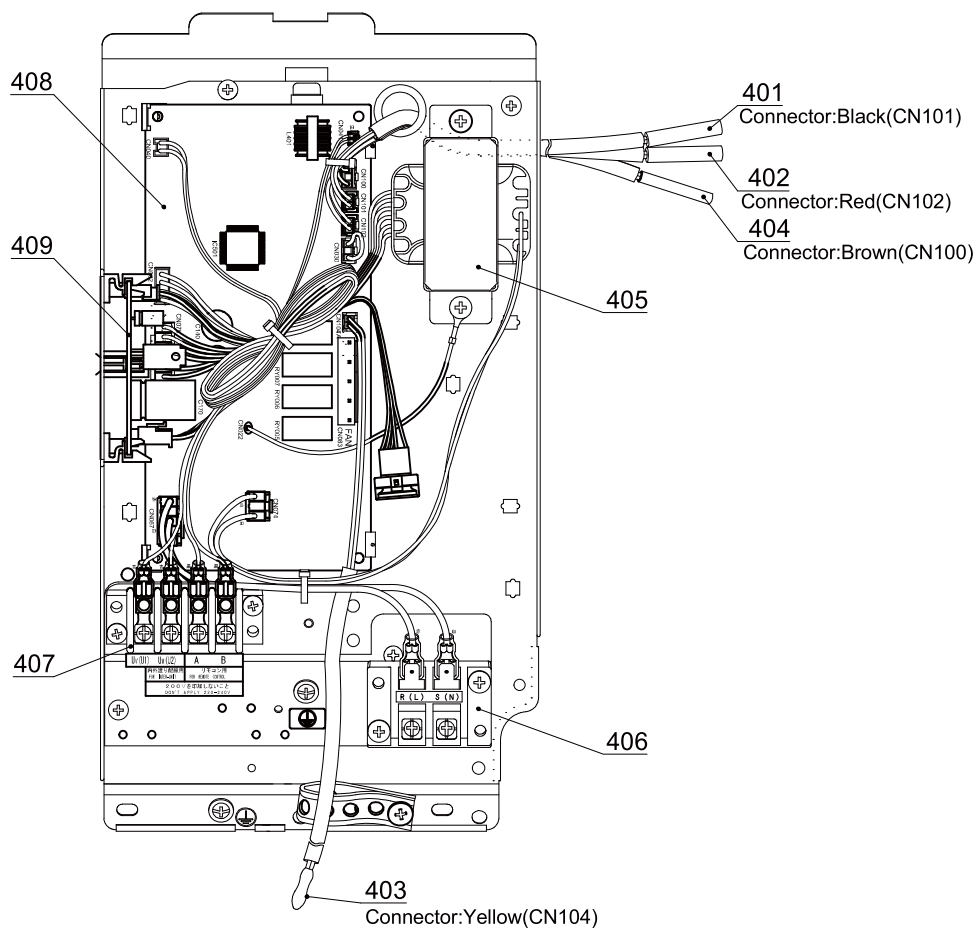
12-4. Floor Standing Cabinet Type

MML- UP0071H-E(TR), UP0091H-E(TR), UP0121H-E(TR), UP0151H-E(TR), UP0181H-E(TR), UP0241H-E(TR)



Location No.	Part No.	Description	Q'ty/Set			MML-UP		
			0071H -E (TR)	0091H -E (TR)	0121H-E (TR)	0151H -E (TR)	0181H -E (TR)	0241H -E (TR)
201	43723020	CASE, FAN, LEFT	2	2	2	2	2	2
202	43723019	CASE, FAN, RIGHT	2	2	2	2		
203	43126119	CASE, FAN, RIGHT					2	2
204	43109394	GRILL,INLET,WHITE	2	2	2	2	2	2
205	43155190	CAPACITOR, 400V 1.8MF			1	1		
206	43155171	CAPACITOR, 450V 2.0MF					1	1
207	43155195	CAPACITOR, 450V 1.2MF	1	1				
208	4312C007	MOTOR, FAN, AF-200-45-4FR			1	1		
209	4312C008	MOTOR, FAN, AF-200-70-4KR					1	1
210	4312C026	MOTOR, FAN, AF-200-19-4FR	1	1				
211	4314N205	COIL, PMV, PAM-MD12TF-301	1	1	1	1	1	1
212	4314N210	BODY, PMV, PAM-B25YGTF-1	1	1				
213	4314N209	BODY, PMV, PAM-B40YGTF-2			1	1	1	1
214	43120228	FAN, MULTI BLADE	2	2	2	2		
215	43120232	FAN, MULTI BLADE					2	2
216	43180280	AIR FILTER	2	2	2	2	2	2
217	43101346	FRAME, WHITE	1	1	1	1	1	1
218	43101347	COVER, CONTROL PANEL, WHITE	1	1	1	1	1	1
219	43172101	PAN, DRAIN	1	1	1	1	1	1
220	43100366	PANEL, FRONT	1	1	1	1	1	1
221	4314J419	EVAPORATOR ASSY	1	1	1	1		
222	4314J420	EVAPORATOR ASSY					1	1
223	4314Q155	DISTRIBUTOR ASSY	1	1				
224	4314Q156	DISTRIBUTOR ASSY			1	1		
225	4314Q157	DISTRIBUTOR ASSY						1
226	4314Q160	DISTRIBUTOR ASSY					1	
227	43F47685	NUT, FLARE, 1/4 IN	1	1	1	1	1	
228	43149355	NUT, FLARE, 9.52	1	1	1			1
229	43049776	SOCKET, 9.52	1	1	1			1
230	43149351	SOCKET, 6.35	1	1	1	1	1	
231	43047688	NUT, FLARE, 12.7				1	1	
232	43149352	NUT, FLARE, 15.88						1
233	43149353	SOCKET, 12.7				1	1	
234	43149354	SOCKET, 15.88						1
235	43100374	CABINET, UPPER, WHITE	1	1	1	1	1	1
236	43100228	OUTLET, WHITE	1	1	1	1	1	1
237	43109459	GRILLE, WHITE	3	3	3	3	3	3
238	43109240	GRILLE	1	1	1	1	1	1
239	43170201	HOSE, DRA1N	1	1	1	1	1	1
240	43107215	HOLDER, SENSOR	1	1	1	1	1	1
241	43F47609	BONNET,9.52	1	1	1			1
242	43147195	BONNET, 12.7				1	1	
243	43194029	BONNET, 15.88						1
244	43F49697	BONNET, 6.35	1	1	1	1	1	
245	43196087	BUSHING, GRILLE	6	6	6	6	6	6
246	43139154	BAND, MOTOR, LEFT	2	2	2	2	2	2
247	43139155	BAND, MOTOR, RIGHT	2	2	2	2	2	2
248	43122104	BASE, MOTOR	1	1	1	1	1	1
249	43F19904	HOLDER, SENSOR (TS)	2	2	2	2	2	2
250	43147664	STRAINER, ID9.52	1	1	1	1	1	1
252	43147649	STRAINER	1	1	1			
253	43166041	REMOTE CONTROLLER, WIRELESS,RBC-AXU31-E	1	1	1	1	1	1
254	4314J619	REFRIGERATION CYCLE ASSY	1	1				
255	4314J643	REFRIGERATION CYCLE ASSY			1			
256	4314J620	REFRIGERATION CYCLE ASSY				1		
257	4314J640	REFRIGERATION CYCLE ASSY					1	
258	4314J621	REFRIGERATION CYCLE ASSY						1
259	43135024	CONNECTOR ASSY, PMV	1	1	1	1	1	1
261	43166042	REMOTE CONTROLLER, WIRED, RBC-AMSU51-EN	1	1	1	1	1	1
262	43166043	REMOTE CONTROLLER, WIRED, RBC-AMSU51-ES	1	1	1	1	1	1

Electric Parts



Location No.	Part No.	Description	Q'ty/Set
			MML-UP0**1H-E(TR)
401	43150424	SENSOR, TC	1
402	43150425	SENSOR, TC	1
403	4115A123	SENSOR, TA	1
404	43150414	SENSOR, TEMP	1
405	43158204	TRANSFORMER, TT-13	1
406	43160626	TERMINAL BLOCK, 2P, 20A	1
407	43160694	TERMINAL, 4P	1
408	4316V734	P.C. BOARD ASSY, MCC-1744	1
409	4316V345	P.C. BOARD ASSY, MCC-1520	1