

# TOSHIBA

AIR CONDITIONER (MULTI TYPE)

## SERVICE MANUAL

### Indoor unit

#### <4-way cassette type>

MMU-UP0091HP-E(TR)  
 MMU-UP0121HP-E(TR)  
 MMU-UP0151HP-E(TR)  
 MMU-UP0181HP-E(TR)  
 MMU-UP0241HP-E(TR)  
 MMU-UP0271HP-E(TR)  
 MMU-UP0301HP-E(TR)  
 MMU-UP0361HP-E(TR)  
 MMU-UP0481HP-E(TR)  
 MMU-UP0561HP-E(TR)

#### <Ceiling type>

MMC-UP0151HP-E(TR)  
 MMC-UP0181HP-E(TR)  
 MMC-UP0241HP-E(TR)  
 MMC-UP0271HP-E(TR)  
 MMC-UP0361HP-E(TR)  
 MMC-UP0481HP-E(TR)  
 MMC-UP0561HP-E(TR)

#### <Concealed Duct Standard type>

MMD-UP0051BHP-E  
 MMD-UP0071BHP-E(TR)  
 MMD-UP0091BHP-E(TR)  
 MMD-UP0121BHP-E(TR)  
 MMD-UP0151BHP-E(TR)  
 MMD-UP0181BHP-E(TR)  
 MMD-UP0241BHP-E(TR)  
 MMD-UP0271BHP-E(TR)  
 MMD-UP0301BHP-E(TR)  
 MMD-UP0361BHP-E(TR)  
 MMD-UP0481BHP-E(TR)  
 MMD-UP0561BHP-E(TR)

#### <Concealed Duct High Static Pressure type>

MMD-UP0181HP-E(TR)  
 MMD-UP0241HP-E(TR)  
 MMD-UP0271HP-E(TR)  
 MMD-UP0361HP-E(TR)  
 MMD-UP0481HP-E(TR)  
 MMD-UP0561HP-E(TR)  
 MMD-UP0721HP-E(TR)  
 MMD-UP0961HP-E(TR)

#### <Concealed Duct High Static Pressure fresh air intake type>

MMD-UP0481HFP-E(TR)  
 MMD-UP0721HFP-E(TR)  
 MMD-UP0961HFP-E(TR)  
 MMD-UP1121HFP-E(TR)  
 MMD-UP1281HFP-E(TR)

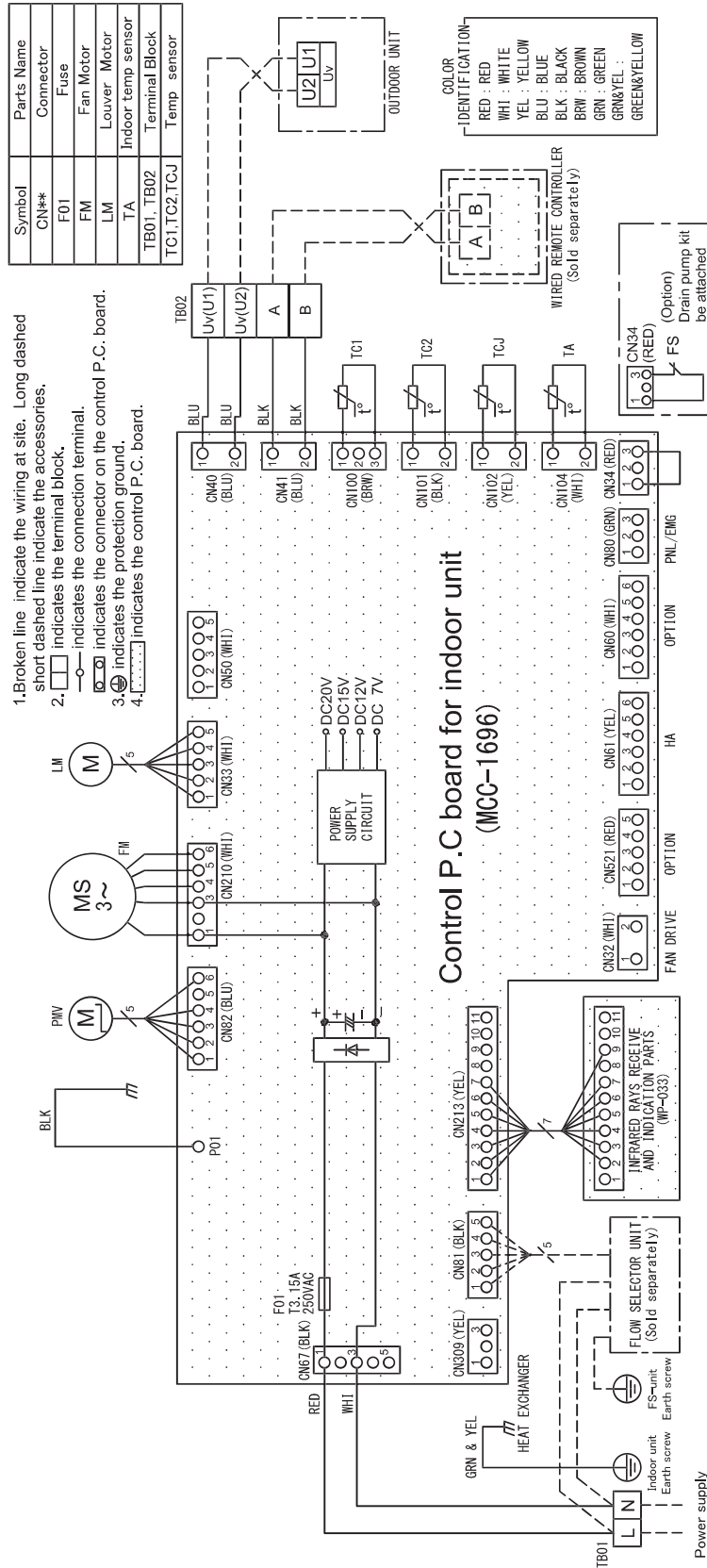
#### <Console type>

MML-UP0071NHP-E(TR)  
 MML-UP0091NHP-E(TR)  
 MML-UP0121NHP-E(TR)  
 MML-UP0151NHP-E(TR)  
 MML-UP0181NHP-E(TR)

#### <High wall type>

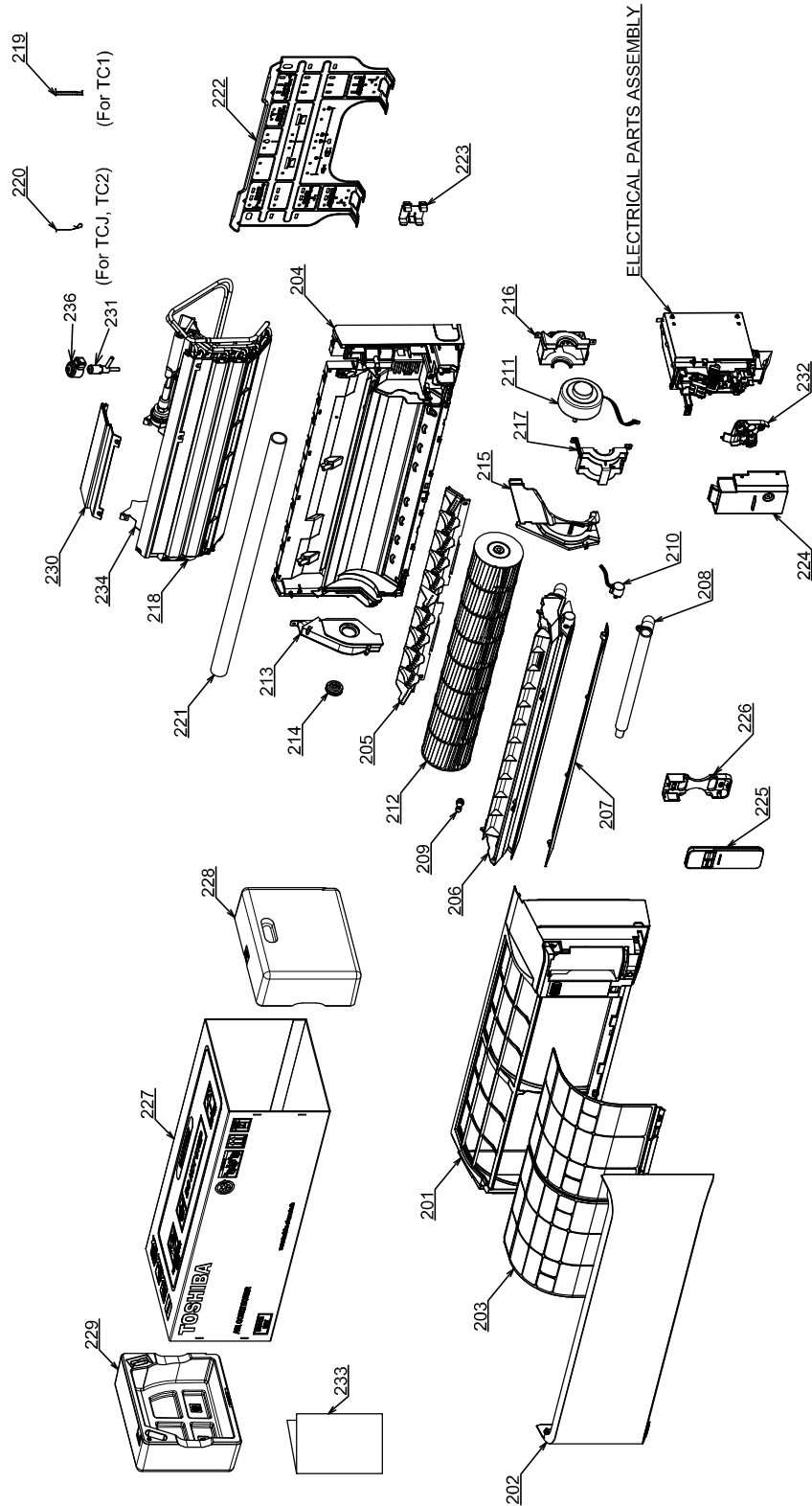
MMK-UP0031HP-E(TR)  
 MMK-UP0051HP-E(TR)  
 MMK-UP0071HP-E(TR)  
 MMK-UP0091HP-E(TR)  
 MMK-UP0121HP-E(TR)  
 MMK-UP0151HP-E(TR)  
 MMK-UP0181HP-E(TR)  
 MMK-UP0241HP-E(TR)  
 MMK-UP0031HPL-E(TR)  
 MMK-UP0051HPL-E(TR)  
 MMK-UP0071HPL-E(TR)  
 MMK-UP0091HPL-E(TR)  
 MMK-UP0121HPL-E(TR)  
 MMK-UP0151HPL-E(TR)  
 MMK-UP0181HPL-E(TR)  
 MMK-UP0241HPL-E(TR)

### 3-7. High wall type MMK-UP\*\*\*\*HP-E(TR)



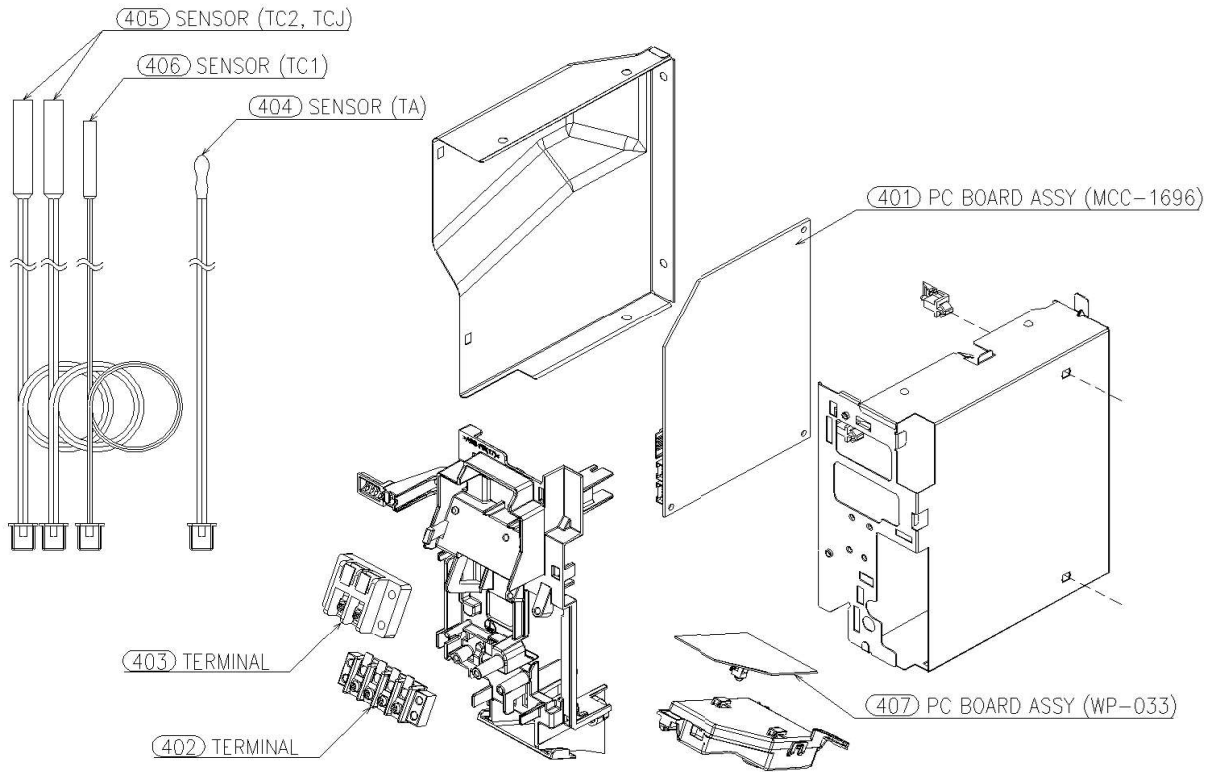
## 12-7. High wall type

MMK-UP0031HP-E(TR), MMK-UP0051HP-E(TR), MMK-UP0071HP-E(TR),  
MMK-UP0091HP-E(TR), MMK-UP0121HP-E(TR)



Location No.	Part No.	Description	Model name MMK-UP				
			0031 HP-E(TR)	0051 HP-E(TR)	0071 HP-E(TR)	0091 HP-E(TR)	0121 HP-E(TR)
201	43T00806	FRONT PANEL ASSY	1	1	1	1	1
202	43T09520	GRILLE OF AIR INLET ASSY	1	1	1	1	1
203	43T80357	AIR FILTER	2	2	2	2	2
204	43T03408	BACK BODY ASSY	1	1	1	1	1
205	43T22358	VERTICAL LOUVER ASSY	1	1	1	1	1
206	43T72336	DRAIN PAN ASSY	1	1	1	1	1
207	43T22359	HORIZONTAL LOUVER ASSY	1	1	1	1	1
208	43T70321	DRAIN HOSE	1	1	1	1	1
209	43T79322	DRAIN CAP	1	1	1	1	1
210	43T21461	STEPPING MOTOR	1	1	1	1	1
211	43T21471	MOTOR FAN	1	1	1	1	1
212	43T20344	CROSS FLOW FAN ASSY	1	1	1	1	1
213	43T39365	BASE BEARING	1	1	1	1	1
214	43T22312	BEARING ASSY, MOLD	1	1	1	1	1
215	43T39390	MOTOR-COVER	1	1	1	1	1
216	43T39368	MOTOR BAND BACK	1	1	1	1	1
217	43T39369	MOTOR BAND FRONT	1	1	1	1	1
218	43T44699	REFRIGERATION CYCLE ASSY	1	1	1	1	1
219	43T19321	FIX-P-SENSOR	1	1	1	1	1
220	43T19333	HOLDER, SENSOR	2	2	2	2	2
221	43T11321	PIPE-SHIELD	1	1	1	1	1
222	43T82332	INSTALLATION PLATE	1	1	1	1	1
223	43T49368	PIPE HOLDER	1	1	1	1	1
224	43T62364	TERMINAL COVER ASSY	1	1	1	1	1
225	43T66324	WIRELESS REMOCO	1	1	1	1	1
226	43T83305	HOLDER, REMOTE CONTROL	1	1	1	1	1
227	43T91305	PACKING SLEEVE	1	1	1	1	1
228	43T91306	PACKING CUSHION RIGHT	1	1	1	1	1
229	43T91307	PACKING CUSHION LEFT	1	1	1	1	1
230	43T04348	COVER PMV ASSEMBLY	1	1	1	1	1
231	43T46516	BODY, PMV	1	1	1	1	1
232	43T62365	CLAMP BASE ASSY	1	1	1	1	1
233	43T85805	OWNER'S MANUAL	1	1	1	1	1
234	43T39391	PLATE BACK ASSY	1	1	1	1	1
236	43T46519	COIL, PMV	1	1	1	1	1

## Electric Parts



Location No.	Part No.	Description	Model name MMK-UP				
			0031 HP,HPL-E(TR)	0051 HP,HPL-E(TR)	0071 HP,HPL-E(TR)	0091 HP,HPL-E(TR)	0121 HP,HPL-E(TR)
401	43T6W956	PC BOARD ASSY	1	1	1	1	1
402	43T60448	TERMINAL	1	1	1	1	1
403	43T60078	TERMINAL BLOCK	1	1	1	1	1
404	43T50392	SENSOR,THERMOSTAT	1	1	1	1	1
405	43T50304	SENSOR;HEAT EXCHANGER	1	1	1	1	1
406	43T50317	SENSOR;HEAT EXCHANGER	1	1	1	1	1
407	43T6V932	PC BOARD ASSY	1	1	1	1	1